

Service
Service
Service



Service Manual

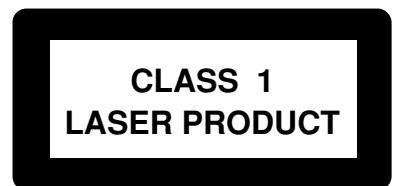


TABLE OF CONTENTS

	Page
Location of pc boards & Version variations	1-2
Technical Specifications	1-3
Measurement setup	1-4
Service Aids, Safety Instruction, etc.	1-5
Disassembly Instructions & Service positions	2
Service Test Programs	3
Set Block diagram	4-1
Set Wiring diagram	4-2
Front Control Board	5
Front Display Board	6
ECO6 Tuner Board : Systems Non-Cenelec	7A
AF11 Board	8
P2002 110/135W Module	9
5DTC Module (Basic Version)	10
Set Mechanical Exploded view & parts list	11
Revision List	12

© Copyright 2003 Philips Consumer Electronics B.V. Eindhoven, The Netherlands
All rights reserved. No part of this publication may be reproduced, stored in a retrieval system or transmitted, in any form or by any means, electronic, mechanical, photocopying, or otherwise without the prior permission of Philips.

Published by BB 0316 Service Audio Printed in The Netherlands Subject to modification



GB 3139 785 30341

Version 1.1



PHILIPS

SPECIFICATIONS**GENERAL:**

Mains voltage : 110-127V/220-240V Switchable for /21/21M
 120V for /37
 220V for /33
 220-230V for /22/34
 230-240V for /30

Mains frequency : 50/60Hz

Power consumption : < 1W at ECO Power Standby
 : < 25W at Standby (DEMO mode off)
 : 175W at Active

Clock accuracy : < 4 seconds per day

Dimension centre unit : 265 x 322 x 390mm

TUNER:**FM**

Tuning range : 87.5-108MHz

Grid : 50kHz
 100kHz for /37

IF frequency : 10.7MHz \pm 25kHz

Aerial input : 75 ohm coaxial
 300 ohm click fit for /37

Sensitivity at 26dB S/N : < 7uV

Selectivity at 600kHz bandwidth : > 25dB

Image rejection : > 25dB [$>$ 75dB]

Distortion at RF=1mV, dev. 75kHz : < 3%

-3dB Limiting point : < 8uV

Crosstalk at RF=1mV, dev. 40kHz : > 18dB

MW

Tuning range : 531-1602kHz
 530-1700kHz for /21/21M/37

Grid : 9kHz
 10kHz for /21/21M/37

IF frequency : 450kHz \pm 1kHz

Aerial input : Frame aerial

Sensitivity at 26dB S/N : < 4.0mV/M

Selectivity at 18kHz bandwidth : > 18dB

IF rejection : > 45dB

Image rejection : > 28dB

Distortion at RF=50mV, M=80% : < 5%

AMPLIFIER:

Output power (6 ohm, 60Hz-12.5kHz, 10% THD)

L & R : 2 x 110W FTC

Frequency response within -3dB : 50Hz-16kHz

MAX Sound : On / Off

Game Sound : Speed /Punch /Blast /Off

Dynamic Bass Boost (DBB) : DBB 1, 2, 3 & Off

Digital Sound Control (DSC) : Jazz /Rock /Pop /Optimal

Virtual Ambience Control (VAC) : Cyber / Arcade / Hall /
 Cinema / Concert

Input sensitivity

Aux in (at 1kHz) : 640mV \pm 2dB

Game Port (at 1kHz) : 310mV \pm 2dB

Output sensitivity

Headphone output at 32 ohm : 700mV \pm 1dB (Max. vol.)

5DTC:

Measurement done directly at the connector on the board.

Output Resistance : < 100 ohm

Output Voltage (0dB, 1kHz) : 0.5Vrms \pm 1dB (unloaded)

Channel Unbalance : < \pm 1dB

Channel Separation (1kHz) : > 60dB

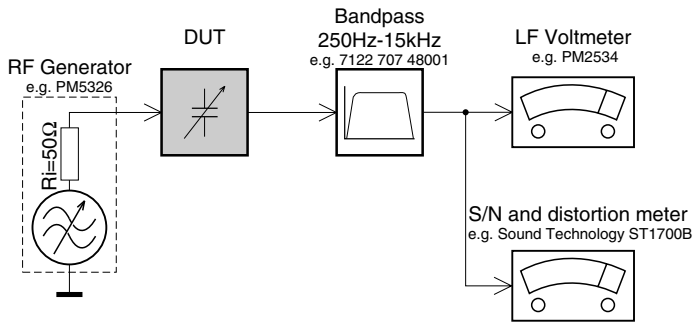
Frequency Response (\pm 3dB) : 20Hz-20kHz

Signal to Noise Ratio : > 76dBA

[...] Values indicated are for "ECO6 Cenelec Board" only.

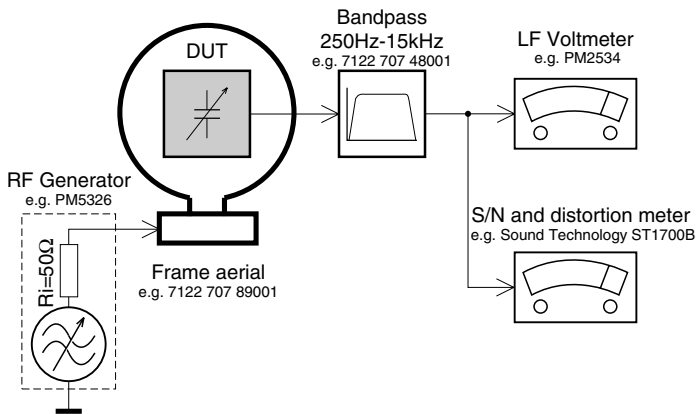
MEASUREMENT SETUP

Tuner FM



Use a bandpass filter to eliminate hum (50Hz, 100Hz) and disturbance from the pilotone (19kHz, 38kHz).

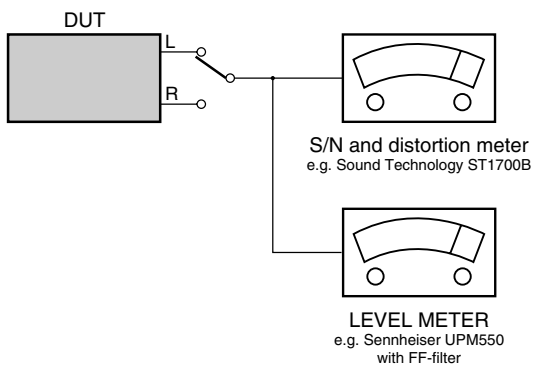
Tuner AM (MW,LW)



To avoid atmospheric interference all AM-measurements have to be carried out in a Faraday's cage.
Use a bandpass filter (or at least a high pass filter with 250Hz) to eliminate hum (50Hz, 100Hz).

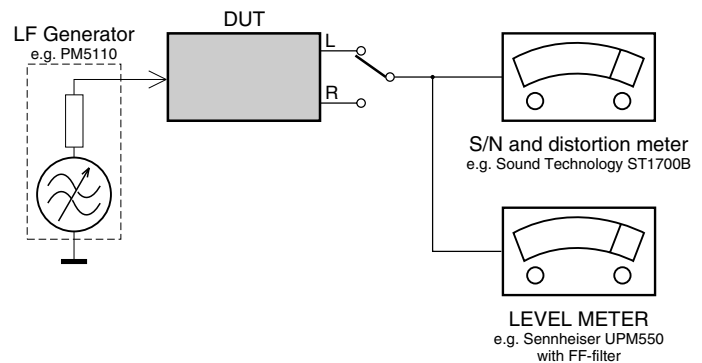
CD

Use Audio Signal Disc SBC429 4822 397 30184
(replaces test disc 3)



Recorder

Use Universal Test Cassette **CrO2** SBC419 4822 397 30069
or Universal Test Cassette **Fe** SBC420 4822 397 30071



SERVICE AIDS

Service Tools:

Universal Torx driver holder	4822 395 91019
Torx bit T10 150mm	4822 395 50456
Torx driver set T6 - T20	4822 395 50145
Torx driver T10 extended	4822 395 50423

Cassette:

SBC419 Test cassette CrO2	4822 397 30069
SBC420 Test cassette Fe	4822 397 30071
MTT150 Dolby level 200nWb/M	4822 397 30271

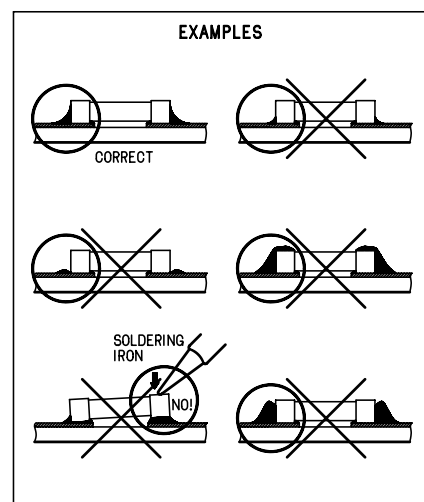
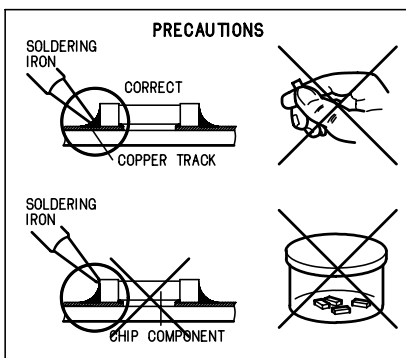
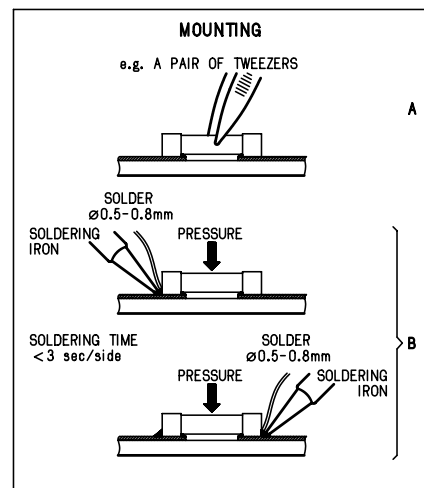
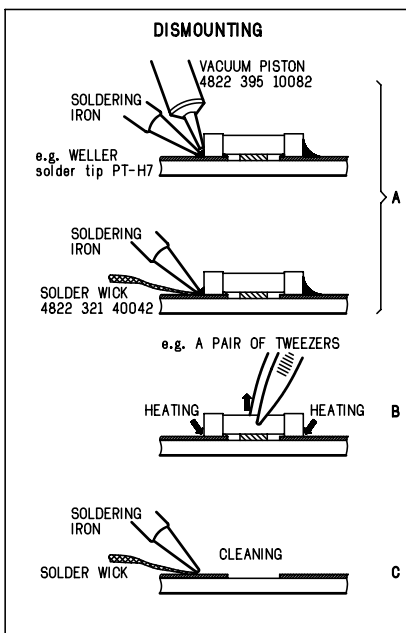
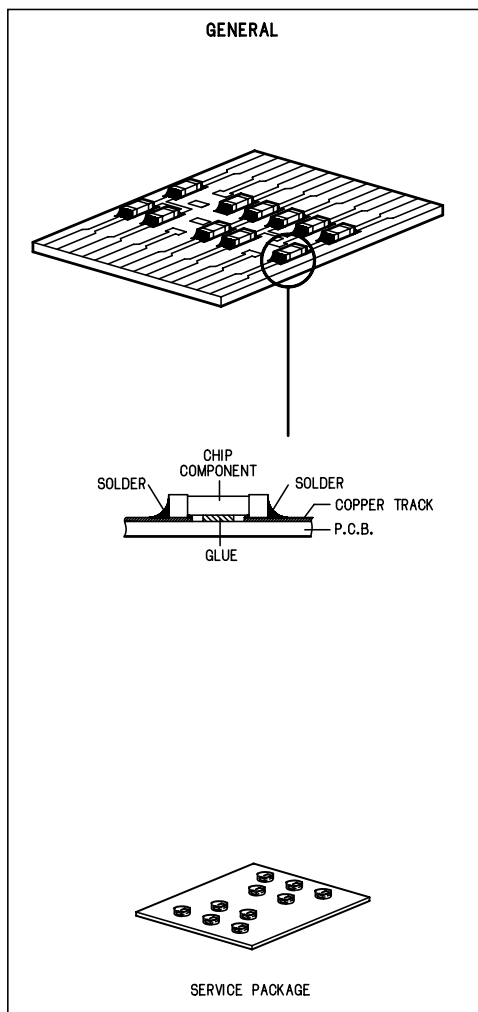
Compact Disc:

SBC426/426A Test disc 5 + 5A	4822 397 30096
SBC442 Audio Burn-in Test disc 1kHz	4822 397 30155
SBC429 Audio Signals disc	4822 397 30184
Dolby Pro-logic Test Disc	4822 395 10216

ESD Equipment:

Anti-static table mat - large 1200x650x1.25mm ...	4822 466 10953
Anti-static table mat - small 600x650x1.25mm	4822 466 10958
Anti-static wristband	4822 395 10223
Connector box (1M Ω)	4822 320 11307
Extension cable (to connect wristband to conn. box)	4822 320 11305
Connecting cable (to connect table mat to conn. box)	4822 320 11306
Earth cable (to connect product to mat or box)	4822 320 11308
Complete kit ESD3 (combining all above products)	4822 320 10671
Wristband tester	4822 344 13999

HANDLING CHIP COMPONENTS



GB WARNING

All ICs and many other semi-conductors are susceptible to electrostatic discharges (ESD). Careless handling during repair can reduce life drastically.

When repairing, make sure that you are connected with the same potential as the mass of the set via a wrist wrap with resistance.

Keep components and tools also at this potential.

ESD**NL WAARSCHUWING**

Alle IC's en vele andere halfgeleiders zijn gevoelig voor electrostatische ontladingen (ESD).

Onzorgvuldig behandelen tijdens reparatie kan de levensduur drastisch doen verminderen. Zorg ervoor dat u tijdens reparatie via een polsband met weerstand verbonden bent met hetzelfde potentiaal als de massa van het apparaat.

Houd componenten en hulpmiddelen ook op ditzelfde potentiaal.

F ATTENTION

Tous les IC et beaucoup d'autres semi-conducteurs sont sensibles aux décharges statiques (ESD).

Leur longévité pourrait être considérablement écourtée par le fait qu'aucune précaution n'est prise à leur manipulation.

Lors de réparations, s'assurer de bien être relié au même potentiel que la masse de l'appareil et enfiler le bracelet serti d'une résistance de sécurité.

Veiller à ce que les composants ainsi que les outils que l'on utilise soient également à ce potentiel.

D WARNUNG

Alle ICs und viele andere Halbleiter sind empfindlich gegenüber elektrostatischen Entladungen (ESD).

Unvorsichtige Behandlung im Reparaturfall kann die Lebensdauer drastisch reduzieren.

Veranlassen Sie, dass Sie im Reparaturfall über ein Pulsarmband mit Widerstand verbunden sind mit dem gleichen Potential wie die Masse des Gerätes.

Bauteile und Hilfsmittel auch auf dieses gleiche Potential halten.

I AVVERTIMENTO

Tutti IC e parecchi semi-conduttori sono sensibili alle scariche statiche (ESD).

La loro longevità potrebbe essere fortemente ridatta in caso di non osservazione della più grande cauzione alla loro manipolazione.

Durante le riparazioni occorre quindi essere collegato allo stesso potenziale che quello della massa dell'apparecchio tramite un bracciale a resistenza.

Assicurarsi che i componenti e anche gli utensili con quali si lavora siano anche a questo potenziale.

GB

Safety regulations require that the set be restored to its original condition and that parts which are identical with those specified, be used

Safety components are marked by the symbol \triangle .

NL

Veiligheidsbepalingen vereisen, dat het apparaat bij reparatie in zijn oorspronkelijke toestand wordt teruggebracht en dat onderdelen, identiek aan de gespecificeerde, worden toegepast.

De Veiligheidsonderdelen zijn aangeduid met het symbool \triangle

F

Les normes de sécurité exigent que l'appareil soit remis à l'état d'origine et que soient utilisés les pièces de rechange identiques à celles spécifiées.

Les composants de sécurité sont marqués \triangle

D

Bei jeder Reparatur sind die geltenden Sicherheitsvorschriften zu beachten. Der Originalzustand des Geräts darf nicht verändert werden; für Reparaturen sind Original-Ersatzteile zu verwenden.

Sicherheitsbauteile sind durch das Symbol \triangle markiert.

I

Le norme di sicurezza esigono che l'apparecchio venga rimesso nelle condizioni originali e che siano utilizzati i pezzi di ricambio identici a quelli specificati.

Componenti di sicurezza sono marcati con \triangle

GB

After servicing and before returning set to customer perform a leakage current measurement test from all exposed metal parts to earth ground to assure no shock hazard exist. The leakage current must not exceed 0.5mA.

**GB Warning !**

Invisible laser radiation when open.
Avoid direct exposure to beam.

S Varning !

Osynlig laserstrålning när apparaten är öppnad och spärren är urkopplad. Betrakta ej strålen.

SF Varoitus !

Avatussa laitteessa ja suojalukituksen ohitettaessa olet alttiina näkymättömälle laserisäteilylle. Älä katso säteeseen!

DK Advarse !

Usynlig laserstråling ved åbning når sikkerhedsafbrydere er ude af funktion. Undgå udsættelse for stråling.

F

"Pour votre sécurité, ces documents doivent être utilisés par des spécialistes agréés, seuls habilités à réparer votre appareil en panne".

DISMANTLING INSTRUCTIONS

Dismantling of the 5DTC Module

- 1) Loosen 4 screws to remove the Cover Top (pos 255) by sliding it out towards the rear before lifting up.
 - 2 screws on the rear
 - 1 screw each on the left & right side
- 2) Loosen 3 screws each to remove the Panel Left (pos 253) and Panel Right (pos 254). The Panels are removed by sliding it towards the rear and outwards.
 - 2 screws on the rear
 - 1 screw on the side
- 3) To loosen the Panel Front Display (pos 120), you have to press in the correct direction and position as shown in Figure 1 and Figure 2. Once the Panel Front Display is loosened, remove it out in the direction as shown in Figure 3.
- 4) Loosen 4 screws A (see Figure 4 and Figure 16) to remove the 5DTC Module (pos 1105).
 - 2 screws on the front
 - 2 screws on the rear

Note : For information on the 'Emergency opening of the trays' of the 5DTC Module, refer to Chapter 10 (Page 10-7).



Figure 1



Figure 2



Figure 3

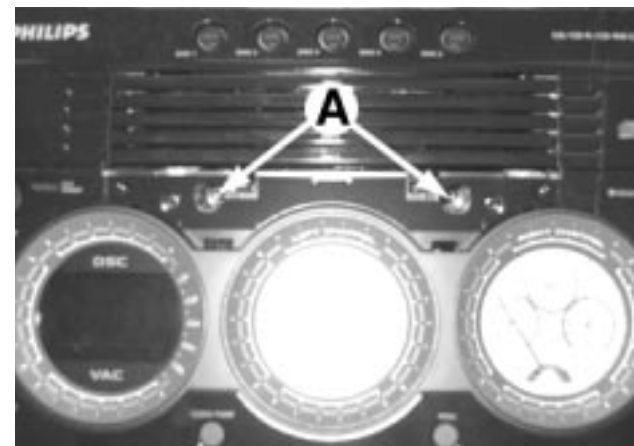


Figure 4

Detaching the Front Panel assembly from the Bottom/Rear assembly

- 1) Remove 2 screws B (pos 226) as shown in Figure 5 from the bottom of the Cabinet Front (pos 101).
- 2) Release the fixation of the AF Board (pos1102-A) to Bracket CDC Right (pos 186) by releasing the 2 catches C1 (see Figure 7) and pulling the AF Board outwards as shown in Figure 6.
- 3) Uncatch 2 catches C2 (see Figure 7) on the left & right sides of the Cabinet Front (pos 101) and slides the Front Panel assembly out towards the front.

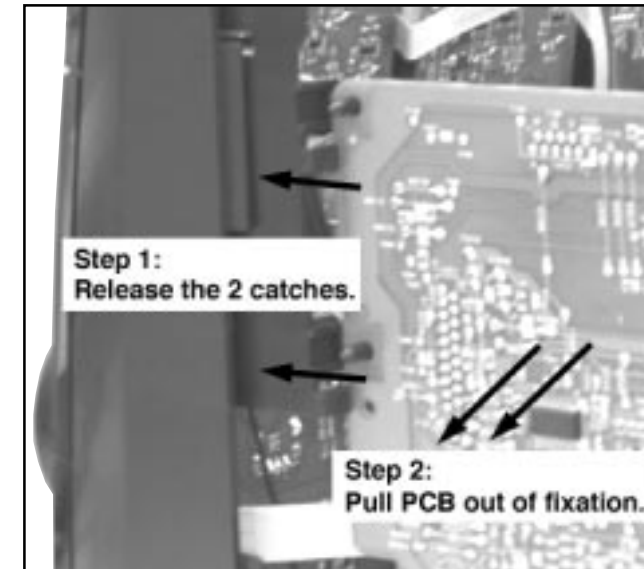


Figure 6

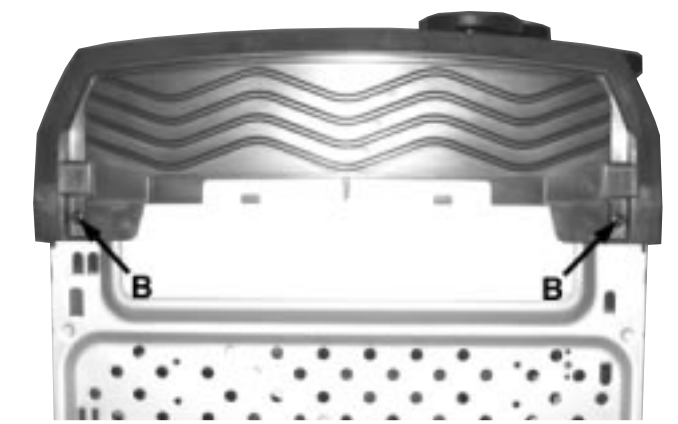


Figure 5

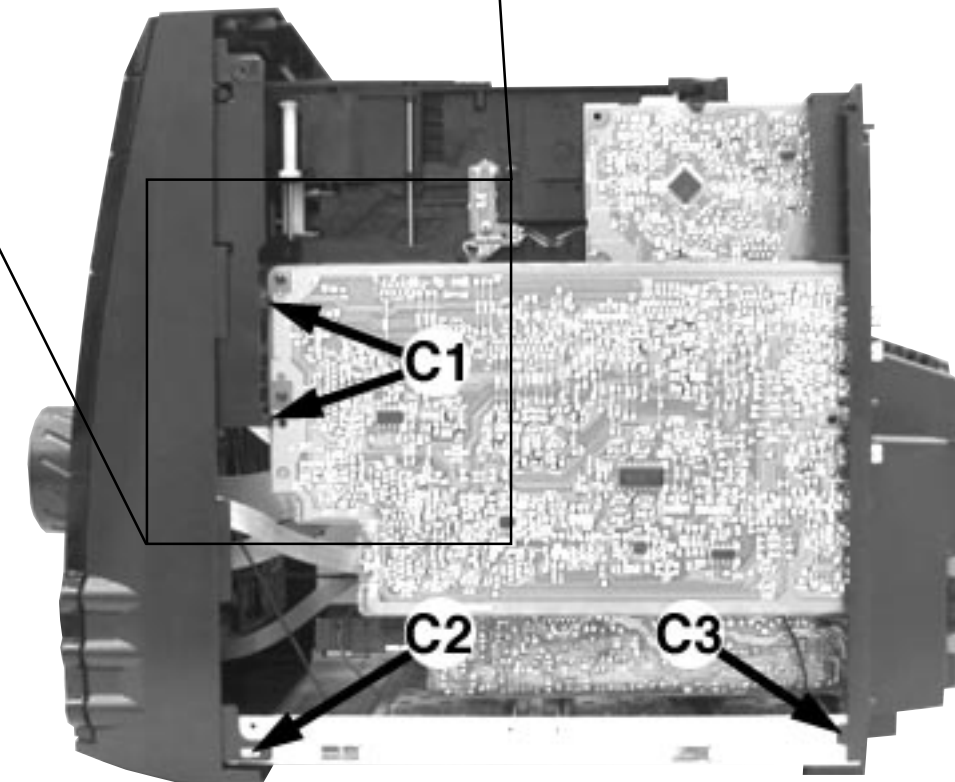


Figure 7

DISMANTLING INSTRUCTIONS

Dismantling of the Front Control Board and Front Display Board

- 1) The Knob Volume Rotary (pos 164) can be removed by pulling it out in the direction as shown in Figure 8.
- 2) The Knob Game Sound Control (pos 176) can be removed by pulling it out in the direction as shown in Figure 9.



Figure 8



Figure 9

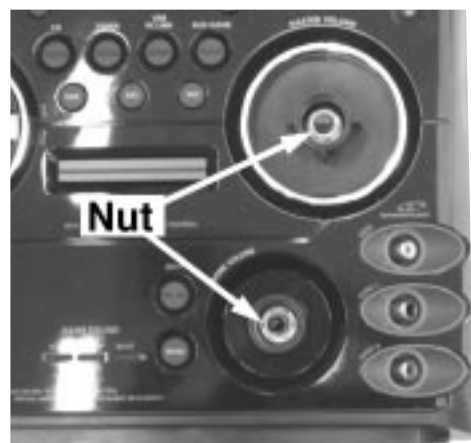


Figure 10

- 3) Loosen 4 screws D (see Figure 11) to remove the Bracket PCB Front Display (pos 183) and Front Display Board (pos 1101-A).
- 4) Loosen 1 screw E (see Figure 12) to remove the IR Eye Board (pos 1107-H).
- 5) Loosen 2 screws F (see Figure 12) to remove the ECO Power Board (pos 1107-E).
- 6) Loosen 3 screws G (see Figure 12) to remove the Bracket VU Meter 2 (pos 136) and loosen 2 screws H to remove the VU Meter Right Board (pos 1107-D) from the Bracket VU Meter 2.
- 7) Loosen 3 screws J (see Figure 12) to remove the Bracket VU Meter 1 (pos 129) and loosen 2 screws K to remove the VU Meter Left Board (pos 1107-C) from the Bracket VU Meter 1.
- 8) For set with USB PC LINK only. Loosen 2 screws L (see Figure 13) to remove the USB PC LINK Board (pos 1104).
- 9) Loosen 9 screws M (see Figure 13) and loosen the 2 nuts (see Figure 10) to remove the Front Control Board (pos 1107-A).
- 10) Loosen 1 screw N (see Figure 13) to remove the Headphone Board (pos 1107-B).

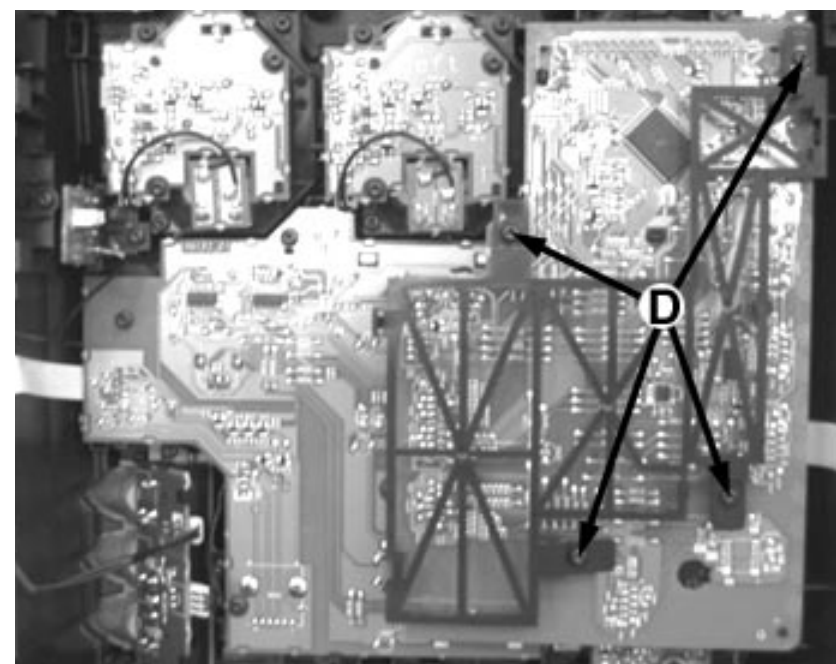


Figure 11

Dismantling of the Front Control Board and Front Display Board

- 11) Loosen 3 screws P (see Figure 14) to remove the Game Port Board (pos 1107-G).

- 12) For set with USB PC LINK only. Loosen 2 screws Q (see Figure 15) to remove the USB LED Board (pos 1107-F).

Figure 12

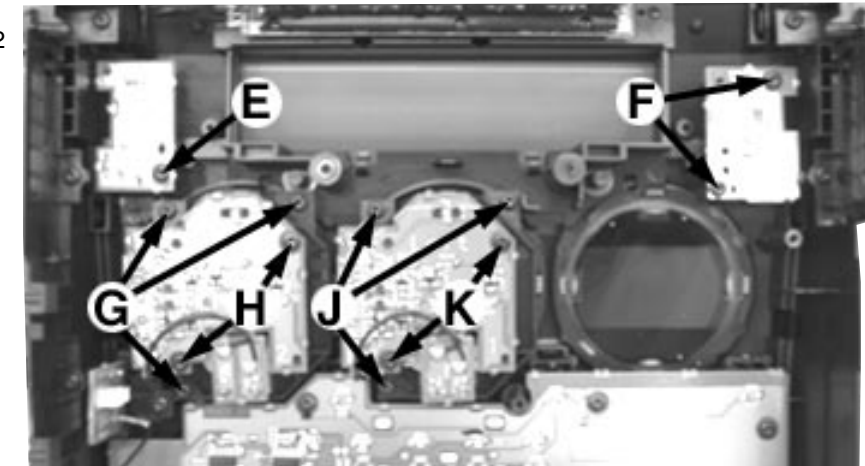


Figure 13

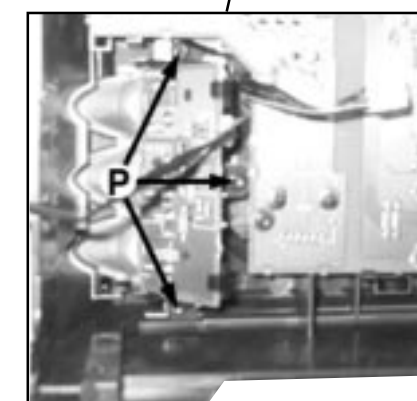
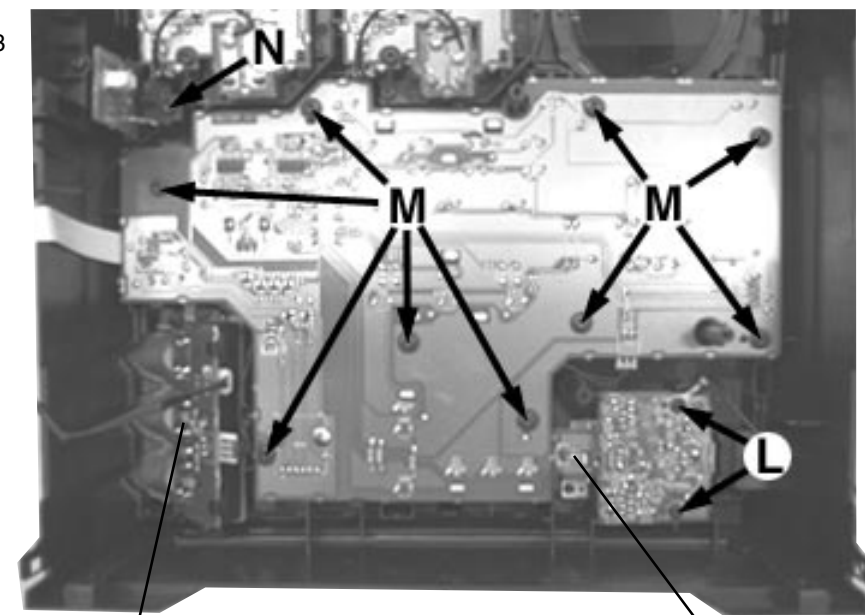


Figure 14

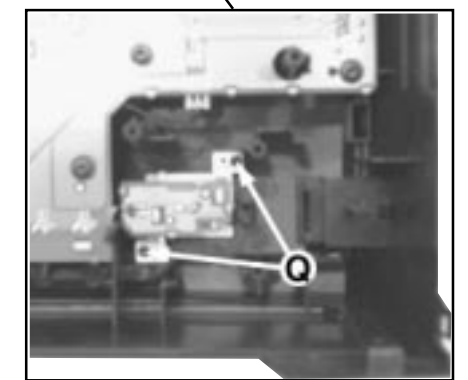


Figure 15

DISMANTLING INSTRUCTIONS

Dismantling of the Rear Panel assembly

- 1) Loosen 3 screws S and 2 catches C4 (see Figure 16) to remove the Tuner Board assembly.
- 2) Loosen 1 screw T (see Figure 16) to free the AF Board (pos 1102-A).
- 3) Loosen 1 screw U (see Figure 16) to remove the Video Cinch Out Board (pos 1102-B).
- 4) Loosen 1 screw V (see Figure 16) to free the Mains Socket Board (pos 1106-1001-B).
- 5) Loosen 4 screws W (see Figure 16) and 2 catches C3 (see Figure 7) to remove the Panel Rear (pos 256) by sliding it out towards the rear (see Figure 19).
Note : Tuner Board assembly and Mains Socket Board can also be remove together with the Panel Rear.
- 6) Loosen 2 screws Y (see Figure 17) and 2 catches C5 (see Figure 16) to remove the Bracket Fan (pos 266).
- 7) Loosen 4 screws Z (see Figure 18) to remove the Fan (pos 1121) from the Bracket Fan (pos 266).

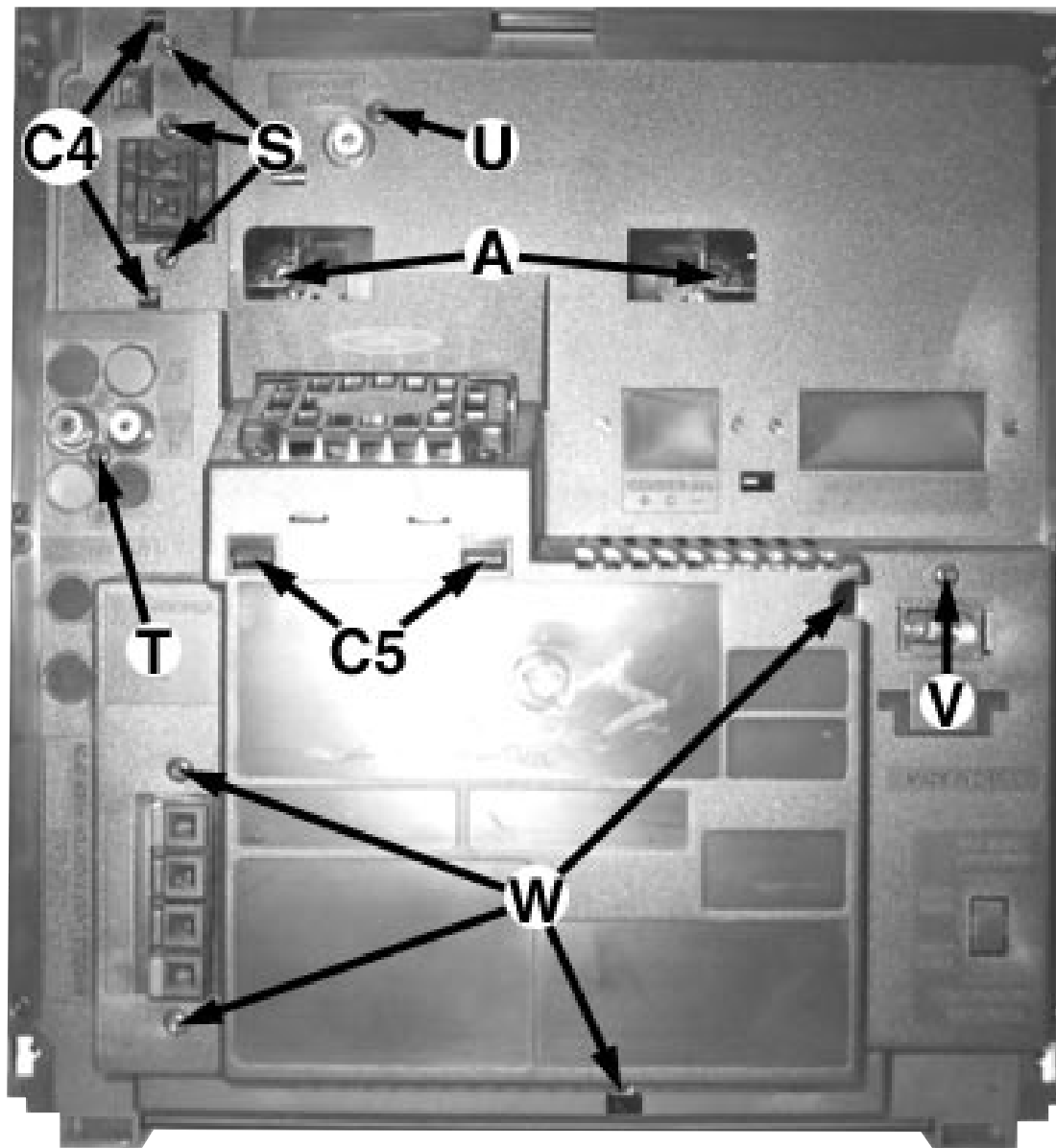


Figure 16

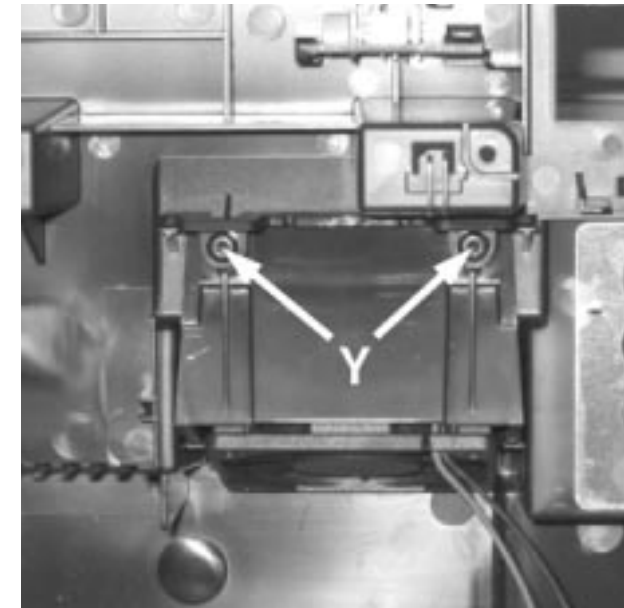
Dismantling of the Rear Panel assembly

Figure 17

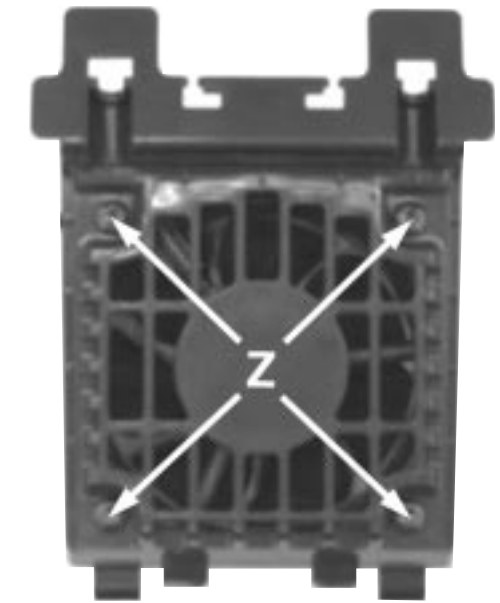


Figure 18

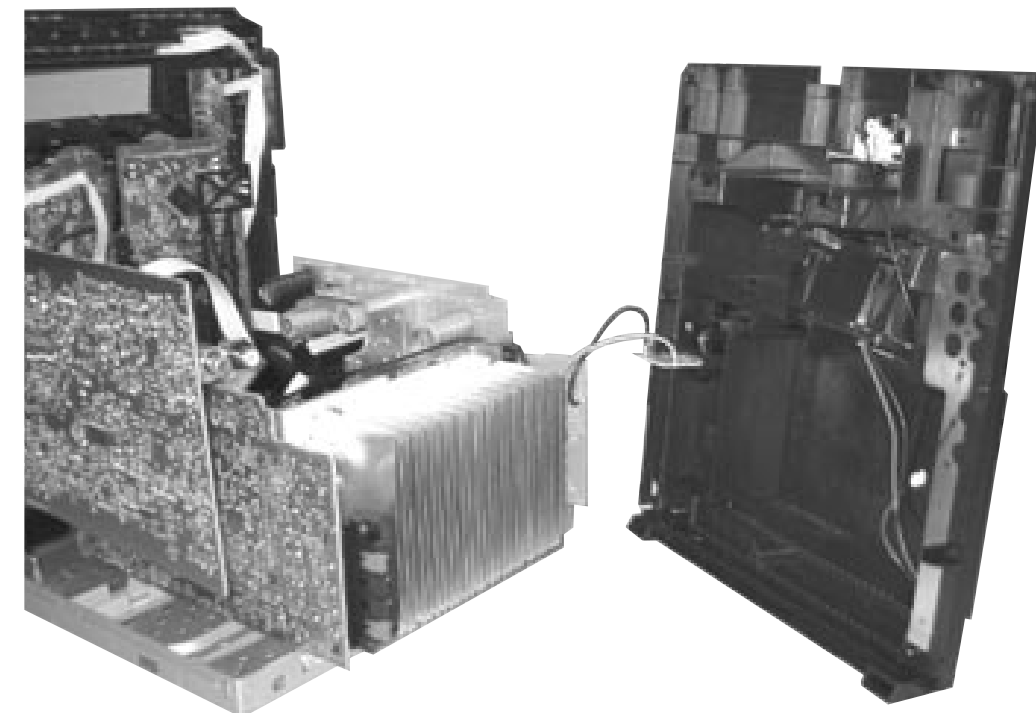


Figure 19

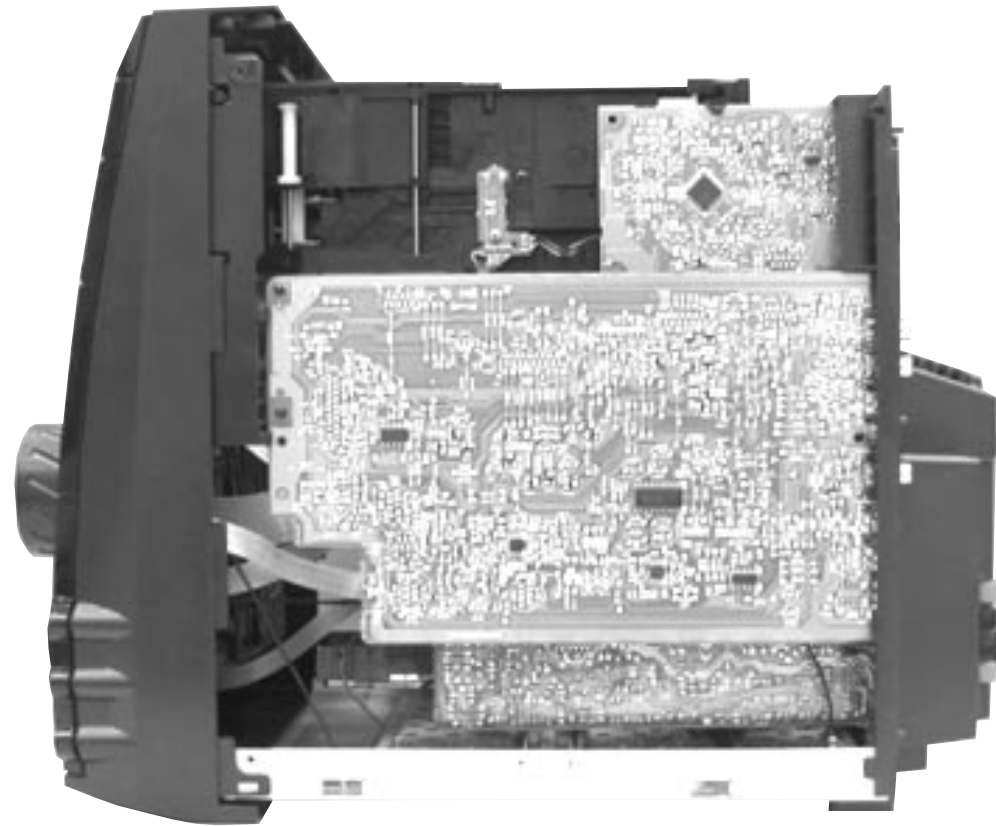
Repair Hints

- 1) During repair it is possible to disconnect the ECO6 Tuner board and/or 5DTC Module completely unless the fault is suspected to be in that area. This will not affect the performance of the rest of the set.

Note: The flex cables are very fragile, care should be taken not to damage them during repair. After repair, be very sure that the flex cables are inserted properly into the flex sockets before encasing, otherwise faults may occur.

DISMANTLING INSTRUCTIONS

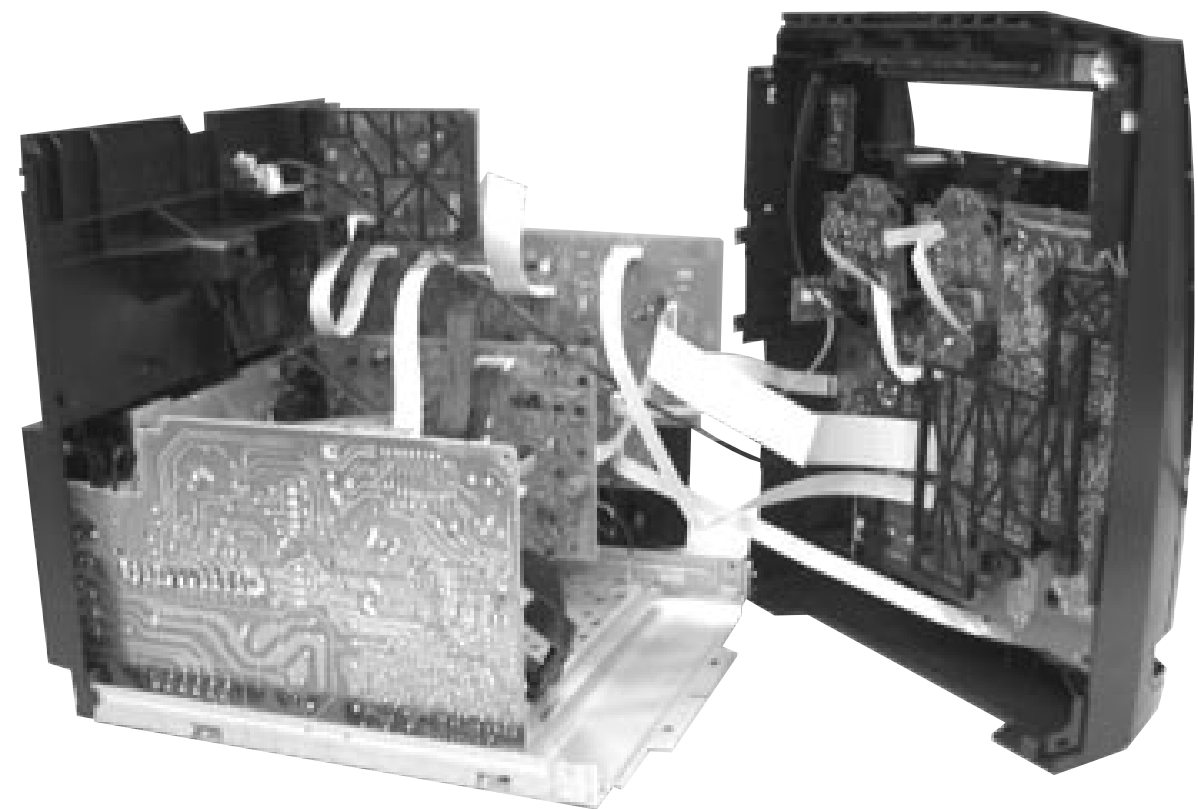
Service position A



Service position B



Service position C



SERVICE TEST PROGRAM

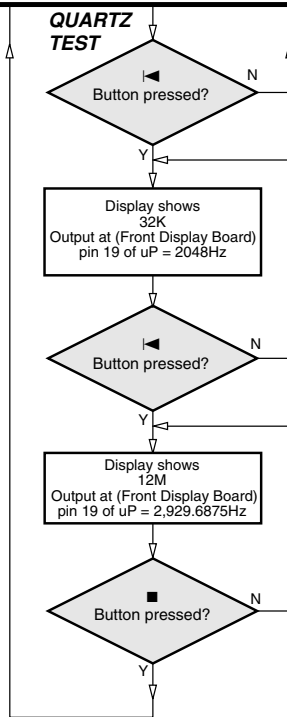
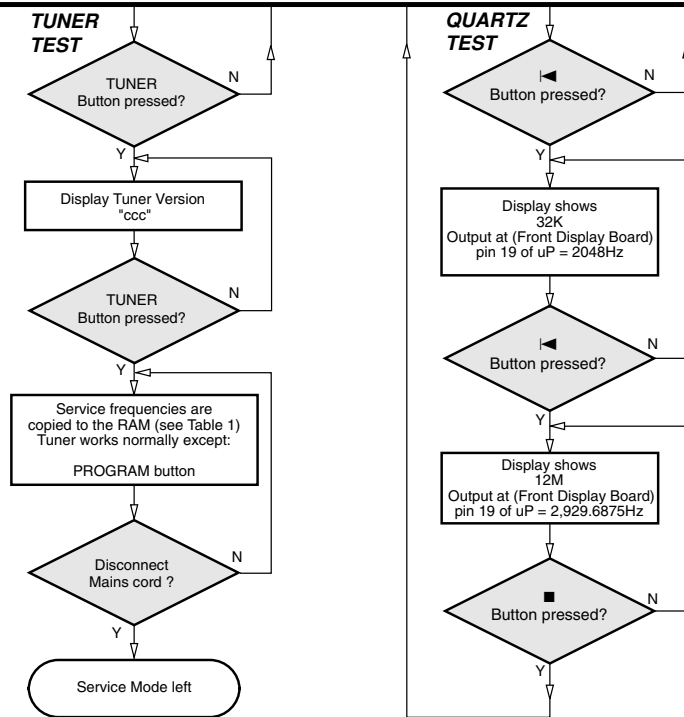
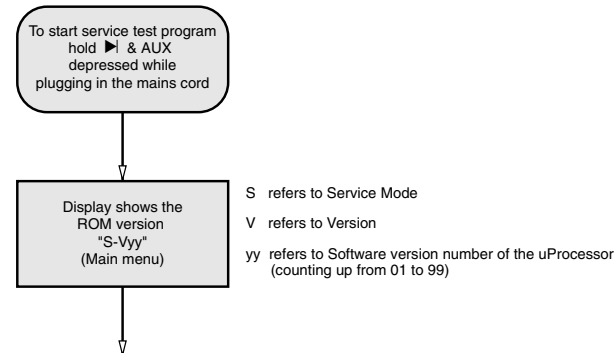


Figure 1

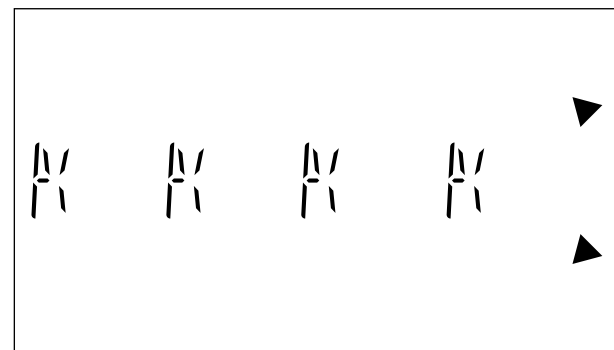
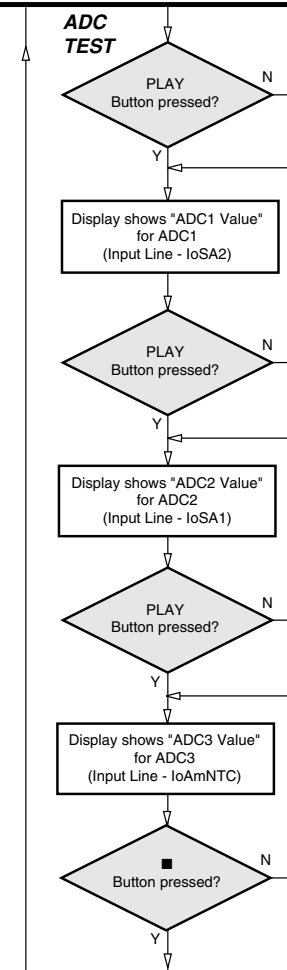
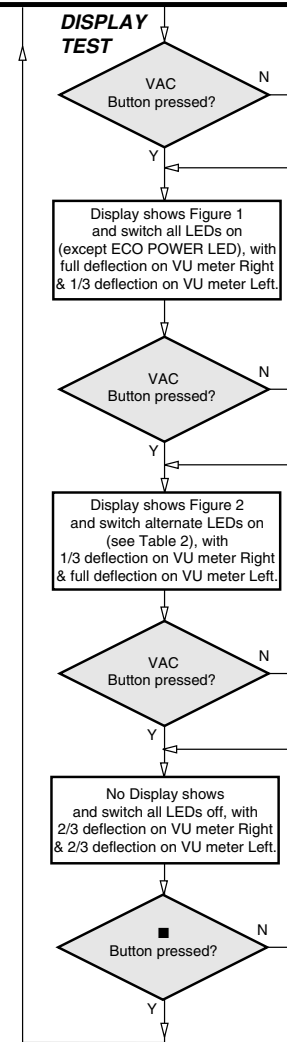


Figure 2



ADC Test is used for checking the ADC inputs to the microprocessor.

The display shows an ADC value between 0 and 255 for an input signal between 0 and 5V.

Various other Tests

PRESET	Europe "EUR"	USA "USA"	Oversea "OSE"
1	87.5MHz	87.5MHz	87.5MHz
2	108MHz	108MHz	108MHz
3	531kHz	530kHz	531/530kHz*
4	1602kHz	1700kHz	1602/1700kHz*
5	558kHz	560kHz	558/560kHz*
6	1494kHz	1500kHz	1494/1500kHz*
7	153kHz	98MHz	87.5/98MHz*
8	279kHz	87.5MHz	87.5MHz
9	198kHz	87.5MHz	87.5MHz
10	98MHz	87.5MHz	87.5MHz
11	87.5MHz	87.5MHz	98/87.5MHz*

Table 1

Note:
* Depending on the selected grid frequency (9 or 10kHz).
By holding the TUNER and **▶▶** buttons depressed while switching on the Mains supply, the tuning grid frequency is toggled between 9kHz and 10kHz for the Oversea (/21) version.

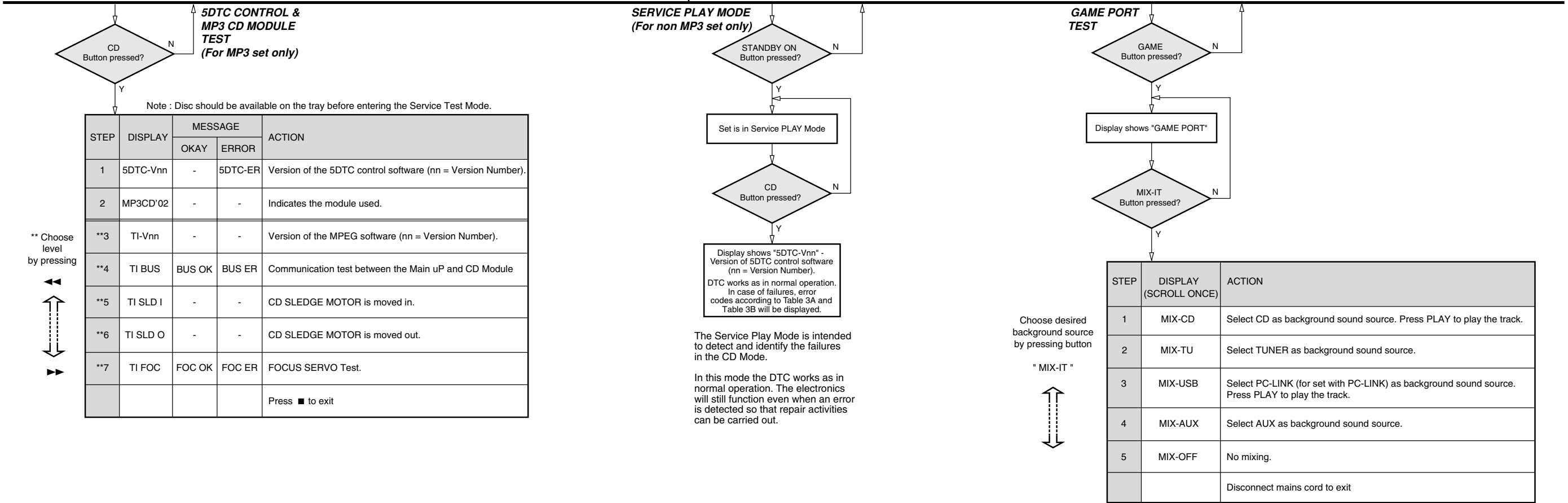
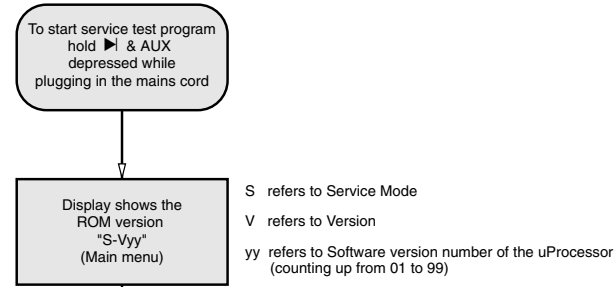
LEDs	FW-C557	FW-C577	FW-C579 FW-M567	FW-C777 FW-M777
CD	-	-	-	OFF
TUNER	-	-	-	ON
AUX / GAME	-	-	-	OFF
USB PC LINK	-	-	-	OFF
DISC 1	-	ON	ON	ON
DISC 2	-	OFF	OFF	OFF
DISC 3	-	ON	ON	ON
DISC 4	-	OFF	OFF	OFF
DISC 5	-	ON	ON	ON
^^ MAX 1 (WOOX 1)	OFF	OFF	OFF	OFF
^^ MAX 2 (WOOX 2)	ON	ON	ON	ON
^^ MAX 3 (WOOX 3)	OFF	OFF	OFF	OFF
SPEED	ON	ON	ON	ON
PUNCH	OFF	OFF	OFF	OFF
BLAST	OFF	OFF	OFF	OFF
USB Indicator	-	OFF	OFF	OFF

Table 2

^^ MAX - FW-C557, FW-C577, FW-C579, FW-M567
WOOX - FW-C777, FW-M777

TEST	Activated with	ACTION
EEPROM TEST	▶▶ ■ to Exit	A test pattern will be sent to the EEPROM. "PASS" is displayed if the uProcessor read back the test pattern correctly, otherwise "FAIL" will be displayed.
EEPROM FORMAT TEST	◀◀	Load default data. Display shows "NEW" for 1 second. Caution! All presets from the customer will be lost!!
DEMO TOGGLE	^^ MAX (WOOX 2)	Pressing this button will toggle between DEMO ON and DEMO OFF. The DEMO status will scroll once across the Display.
ROTARY ENCODER TEST	Rotary Volume Knob	Display shows value for 2 seconds. Values increases or decreases until Volume Maximum (VOL MAX) or Volume Minimum (VOL MIN) is reached.
MICRONAS FIRMWARE VERSION	USB PC LINK ■ to Exit	To read out the Firmware Version of IC UAC3553 on the USB PC LINK Board. Display shows "Vxxxx" (xxxx = Firmware Version number).
LEAVE SERVICE TEST PROGRAM	Disconnect mains cord	

SERVICE TEST PROGRAM



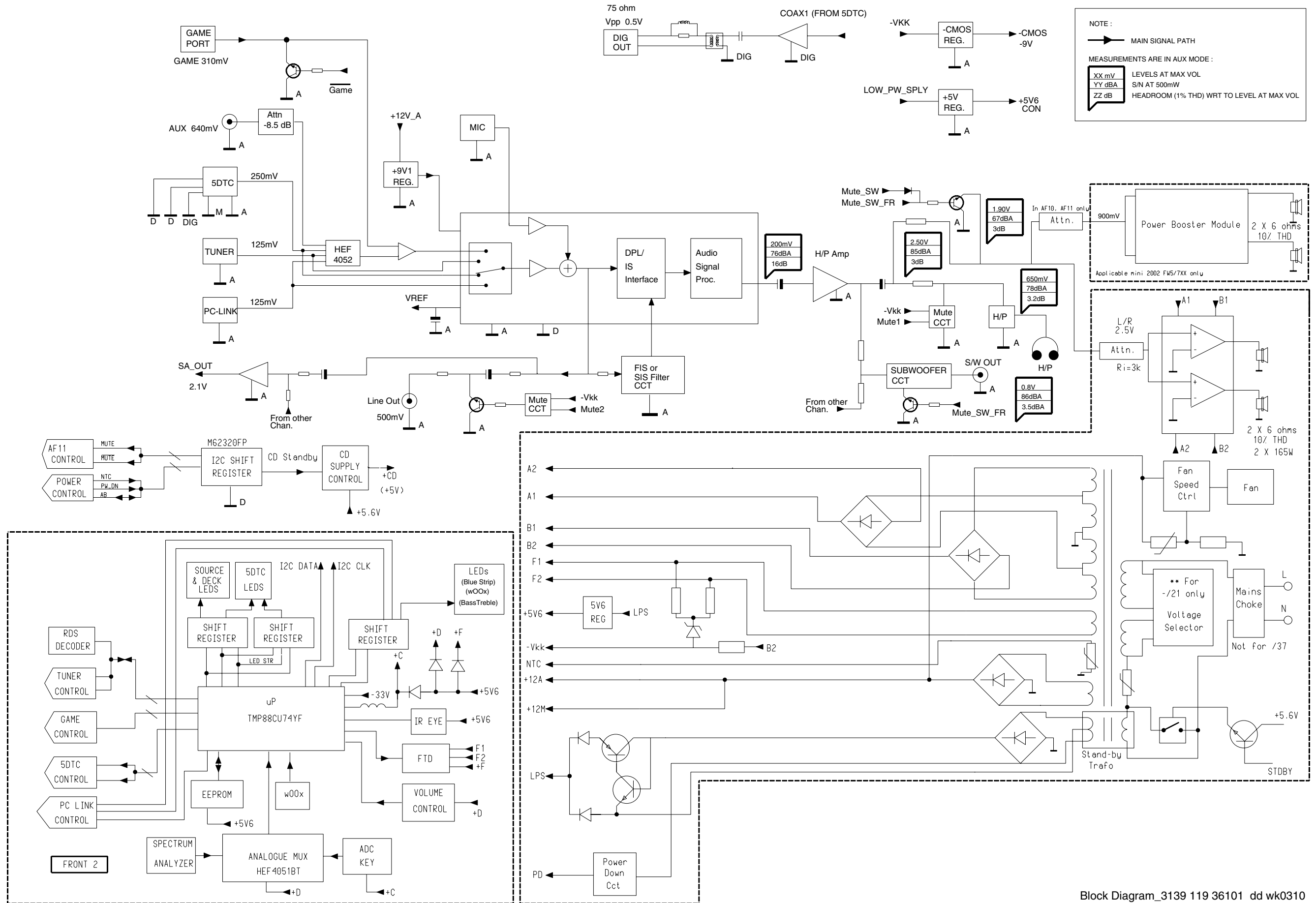
Error code	Error Description
E1000	Focus Error Triggered when the focus cannot be found within a certain time when starting up the CD, or if the focus is lost for more than a certain time during playing of CD.
E1001	Radial Error Triggered when the radial servo is off-track for a certain time during playing of CD.
E1002	Sledge In Error The sledge did not reach its inner position (inner-switch is still close) before approximately 6 seconds have passed by. Inner-switch or sledge motor problem.
E1003	Sledge Out Error The sledge did not come out of its inner position (inner-switch is still open) before approximately 250ms have passed by. Inner-switch or sledge motor problem.
E1005	Jump Error Triggered in normal play when the jump destination could not be found within a certain time.

Table 3A

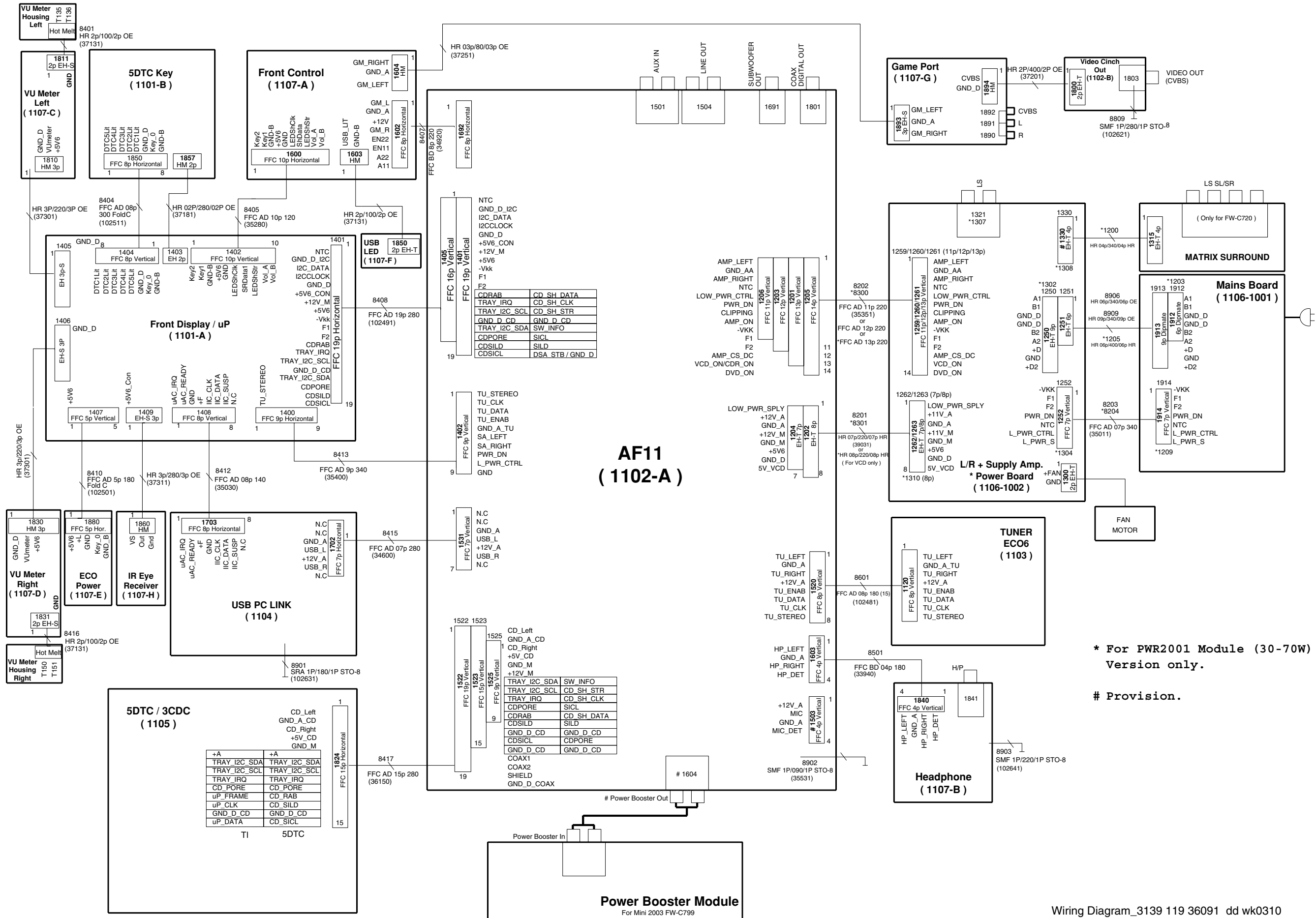
Error code	Error Description
E1006	Subcode Error Triggered when a new subcode was missing for a certain time during playing of CD.
E1007	PLL Error The Phase Lock Loop could not lock within a certain time.
E1008	Turntable Motor Error Generated when the CD could not reached 75% of speed during start-up within a certain time. Disc motor problem.
E1020	Focus Search Error The focus point has not been found within a certain time.
E1061	The tray could not enter the inside position and is opening again. This can happen if the tray is blocked such that it cannot go fully inside, or if the 5DTC control module is defective and never closes.
E1079	The tray could not reach the outside position and is stopped at its blocked position. This can happen if the tray is blocked such that it cannot go fully outside, or if the 5DTC control module is defective and never opens.

Table 3B

SET BLOCK DIAGRAM



SET WIRING DIAGRAM



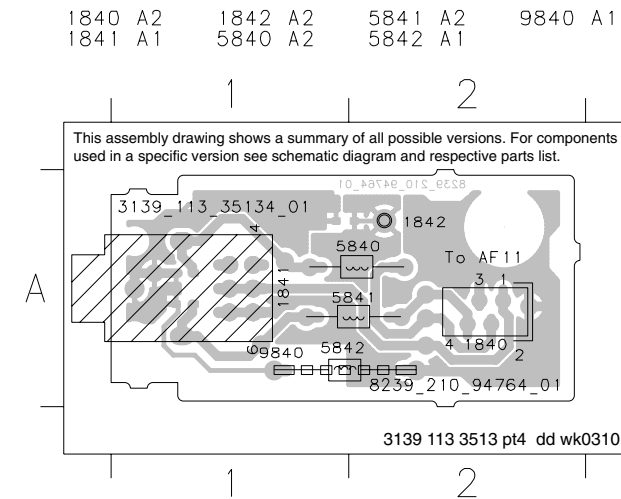
* For PWR2001 Module (30-70W) Version only.
 # Provision.

FRONT CONTROL BOARD

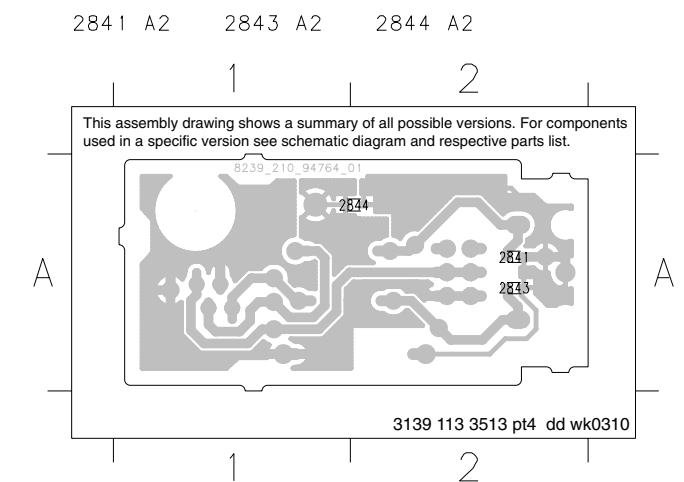
TABLE OF CONTENTS

- Headphone part - Layout & Circuit diagram 5-1
- Control part - Component Layout 5-2
- Control part - Chip Layout 5-3
- Control part - Circuit diagram 5-4
- ECO Power part - Layout & Circuit diagram 5-5
- Game Port part - Layout & Circuit diagram 5-5
- VU Meter (Left) part - Layout & Circuit diagram 5-6
- VU Meter Housing (Left) part - Layout & Circuit 5-6
- VU Meter (Right) part - Layout & Circuit diagram 5-7
- VU Meter Housing (Right) part - Layout & Circuit 5-7
- IR Eye part - Layout & Circuit diagram 5-8
- USB LED part - Layout & Circuit diagram 5-8
- Electrical parts list 5-9

HEADPHONE BOARD - COMPONENT LAYOUT

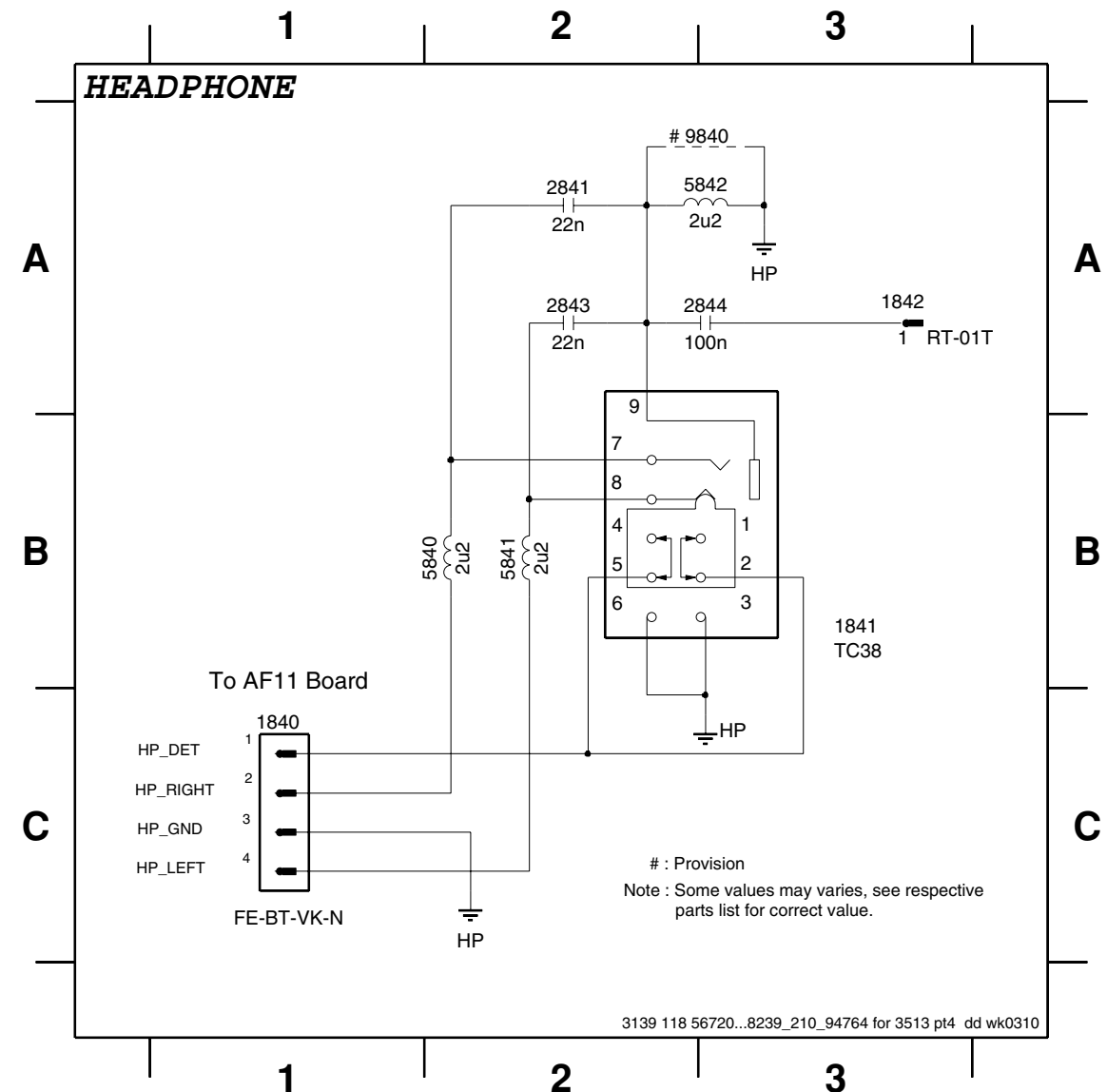


HEADPHONE BOARD - CHIP LAYOUT



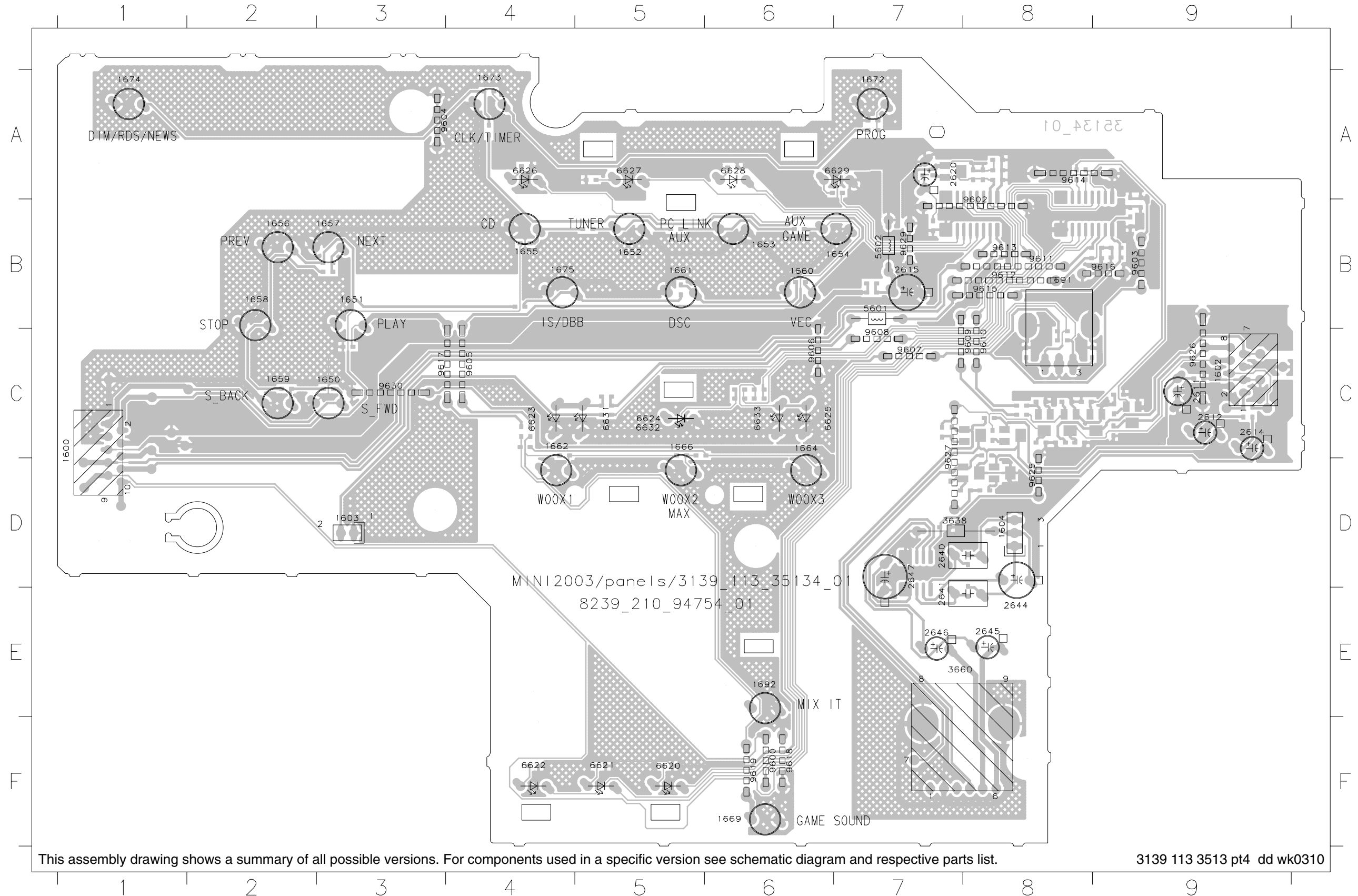
HEADPHONE BOARD - CIRCUIT DIAGRAM

1840 C1 1841 B3 1842 A3 2841 A2 2843 A2 2844 A3 5840 B2 5841 B2 5842 A3 9840 A3



CONTROL BOARD - COMPONENT LAYOUT

1600 C1	1651 B3	1656 B2	1661 B5	1672 A7	1692 E6	2620 A7	2646 E7	5602 B7	6624 C5	6629 A7	9602 B8	9607 C7	9612 B8	9617 C3	9627 C7
1602 C9	1652 B5	1657 B3	1662 C4	1673 A4	2611 C9	2640 D7	2647 D7	6620 F5	6625 C6	6631 C5	9603 B9	9608 C7	9613 B8	9618 F6	9629 B7
1603 D3	1653 B6	1658 B2	1664 C6	1674 A1	2612 C9	2641 E7	3638 D7	6621 F5	6626 A4	6632 C5	9604 A3	9609 C8	9614 A8	9619 F6	9630 C3
1604 D8	1654 B7	1659 C2	1666 C5	1675 B4	2614 C9	2644 E8	3660 E7	6622 F4	6627 A5	6633 C6	9605 C4	9610 C8	9615 B8	9625 D8	
1650 C3	1655 B4	1660 B6	1669 F6	1691 B8	2615 B7	2645 E8	5601 B7	6623 C4	6628 A6	9600 F6	9606 C6	9611 B8	9616 B9	9626 C9	

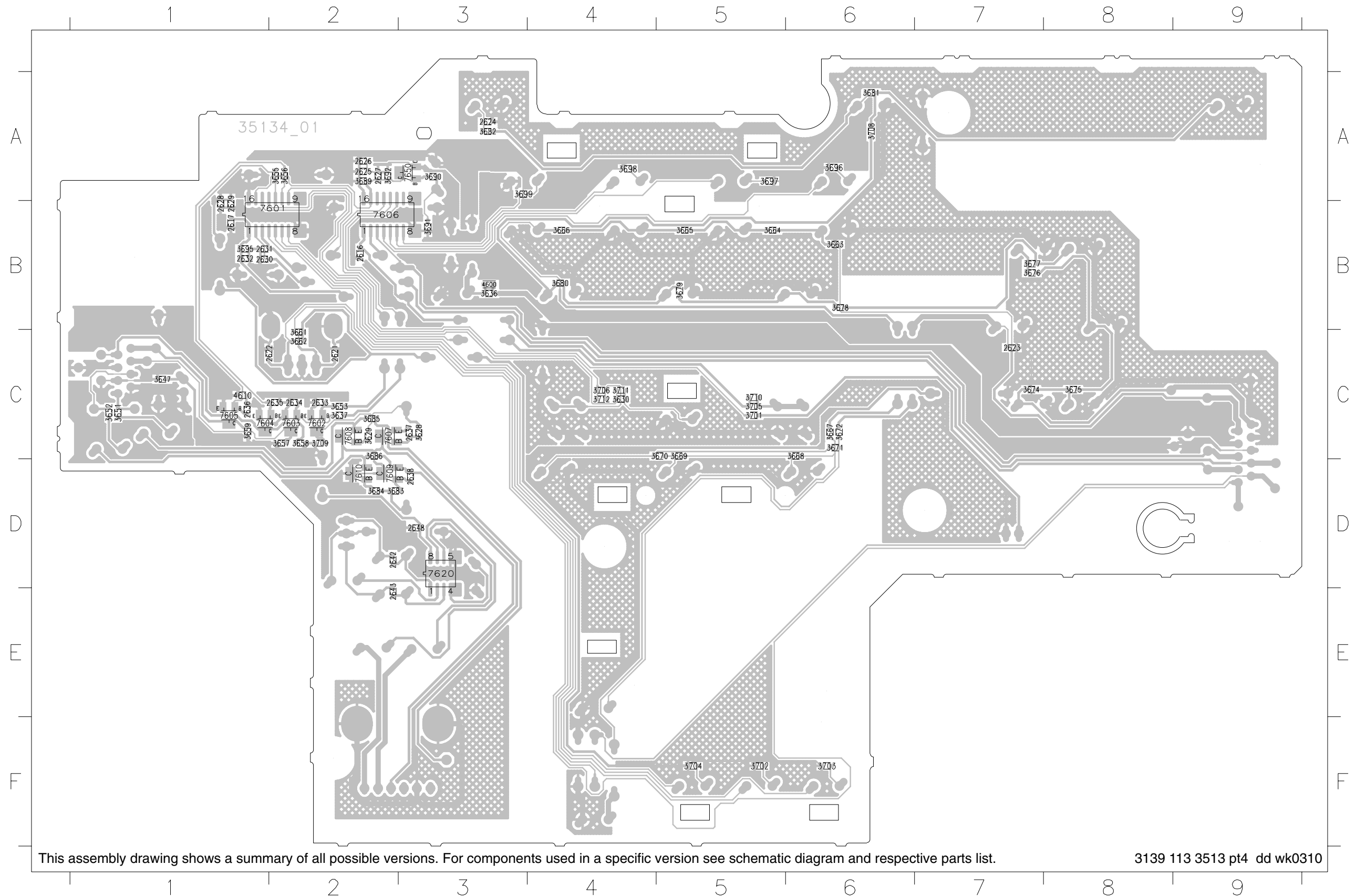


This assembly drawing shows a summary of all possible versions. For components used in a specific version see schematic diagram and respective parts list.

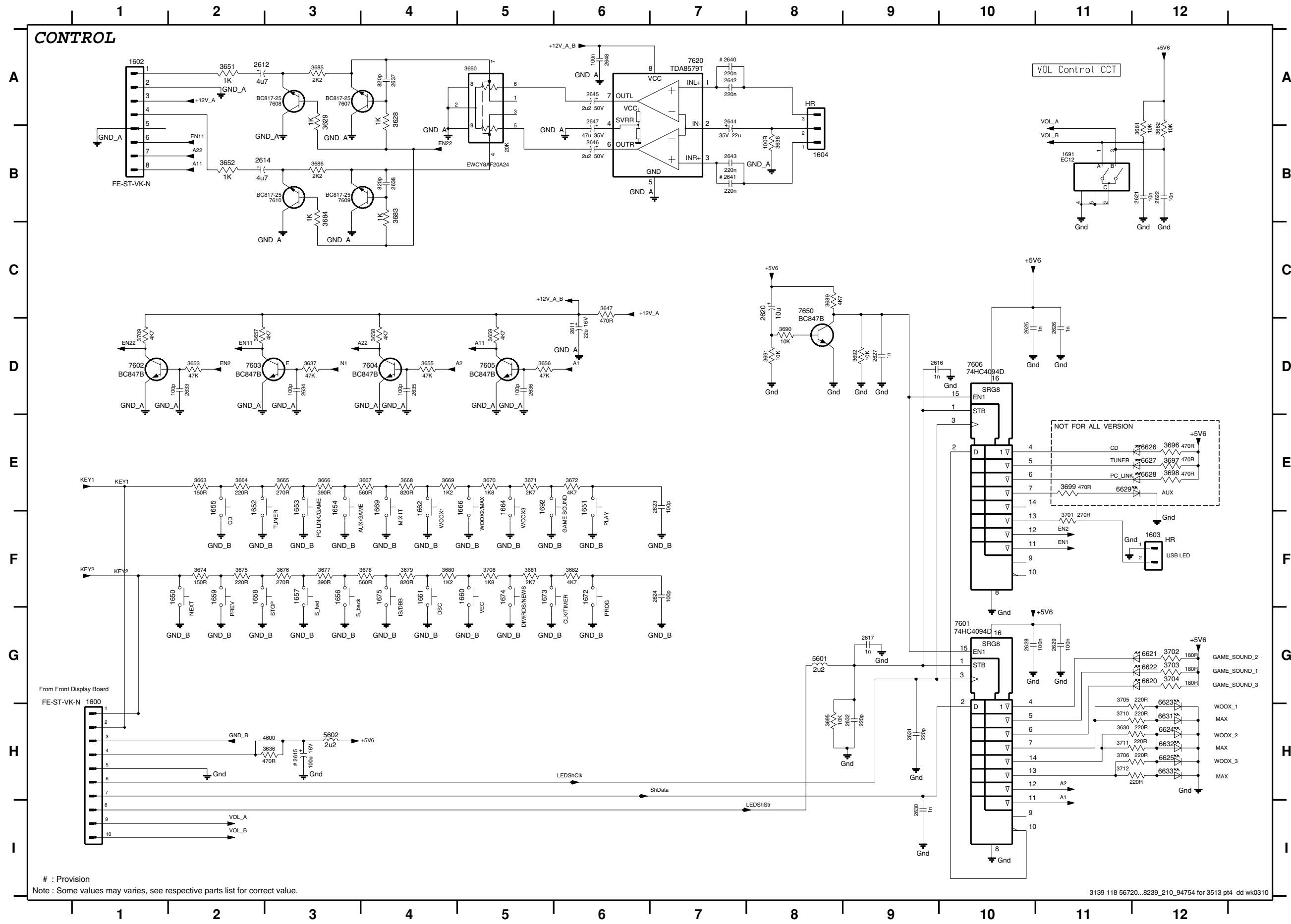
3139 113 3513 pt4 dd wk0310

CONTROL BOARD - CHIP LAYOUT

2616 B2	2625 A2	2631 B1	2637 C3	3629 C2	3652 C1	3659 C1	3666 B4	3672 C6	3679 B5	3685 C2	3695 B1	3702 F5	3709 C2	7601 B2	7607 C2
2617 B1	2626 A2	2632 B1	2638 D3	3630 C4	3653 C2	3661 C2	3667 C6	3674 C7	3680 B4	3686 C2	3696 A6	3703 F6	3710 C5	7602 C2	7608 C2
2621 C2	2627 A2	2633 C2	2642 D2	3636 B3	3655 A2	3662 C2	3668 C6	3675 C8	3681 A6	3689 A2	3697 A5	3704 F5	3711 C4	7603 C2	7609 D2
2622 C1	2628 B1	2634 C2	2643 E2	3637 C2	3656 A2	3663 B6	3669 C5	3676 B7	3682 A3	3690 A3	3698 A4	3705 C5	3712 C4	7604 C1	7610 D2
2623 C7	2629 B1	2635 C2	2648 D3	3647 C1	3657 C2	3664 B5	3670 C5	3677 B7	3683 D2	3691 B3	3699 A3	3706 C4	4600 B3	7605 C1	7620 D3
2624 A3	2630 B1	2636 C1	3628 C3	3651 C1	3658 C2	3665 B5	3671 C6	3678 B6	3684 D2	3692 A2	3701 C5	3708 A6	4610 C1	7606 B2	7650 A3



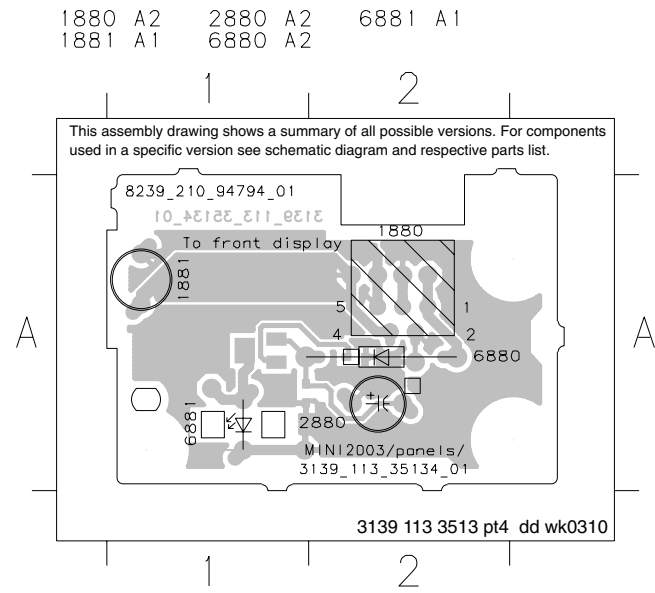
CONTROL BOARD - CIRCUIT DIAGRAM



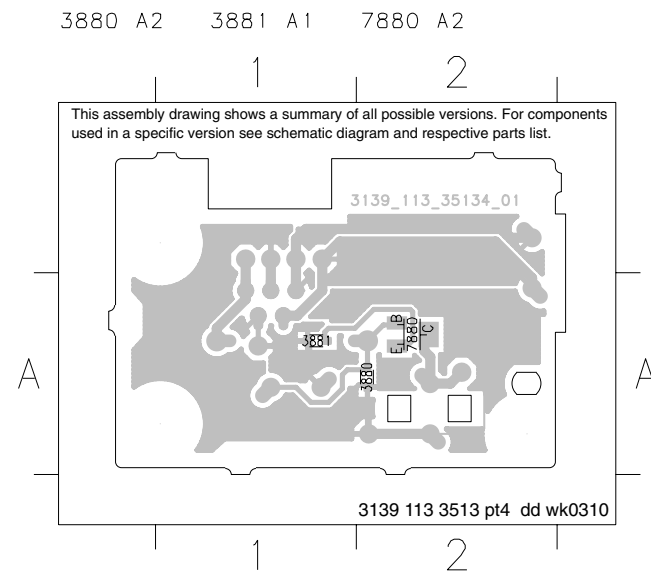
1600 H1	3698 E12
1602 A1	3699 E11
1603 F12	3701 F11
1604 B4	3702 G12
1650 F2	3703 G12
1651 E6	3704 G12
1652 E2	3705 G11
1653 E3	3706 H11
1654 F3	3708 F5
1655 F2	3709 D1
1656 F3	3710 H11
1657 F3	3711 H11
1658 F2	3712 H11
1659 F2	4600 H3
1660 F5	5601 G8
1661 F4	5602 H3
1662 E4	6620 G12
1664 F5	6621 G12
1666 F5	6622 G12
1669 E4	6623 H12
1672 F6	6624 H12
1673 F5	6625 H12
1674 F5	6626 H12
1675 F4	6627 E12
1691 B11	6628 E12
1692 E5	6629 E11
2611 D6	6631 H12
2612 A2	6632 H12
2614 B2	6633 H12
2615 H3	7601 G10
2616 D9	7602 D1
2617 G9	7603 D2
2620 C8	7604 D4
2621 B12	7605 D5
2622 B12	7606 D10
2623 E7	7607 A3
2624 F7	7608 A3
2625 D10	7609 B3
2626 D11	7610 B3
2627 D9	7620 A7
2628 G10	7650 C8
2629 G11	
2630 I9	
2631 H9	
2632 H9	
2633 D2	
2634 D3	
2635 D4	
2636 D5	
2637 A4	
2638 B4	
2640 A7	
2641 B7	
2642 A7	
2643 B7	
2644 A7	
2645 A6	
2646 B6	
2647 A6	
2648 A6	
3628 A4	
3629 A3	
3630 H11	
3636 H3	
3637 D3	
3638 B8	
3647 C6	
3651 A2	
3652 B2	
3653 D2	
3655 D4	
3656 D5	
3657 D2	
3658 D4	
3659 D5	
3660 A5	
3661 B12	
3662 B12	
3663 E2	
3664 E2	
3665 E3	
3666 E3	
3667 E4	
3668 E4	
3669 E4	
3670 E5	
3671 E5	
3672 E6	
3674 F2	
3675 F2	
3676 F3	
3677 F3	
3678 F4	
3679 F4	
3680 F4	
3681 F5	
3682 F6	
3683 B4	
3684 B3	
3685 A3	
3686 B3	
3689 C3	
3690 D8	
3691 D8	
3692 D9	
3695 H8	
3696 E12	
3697 E12	

: Provision
 Note : Some values may varies, see respective parts list for correct value.

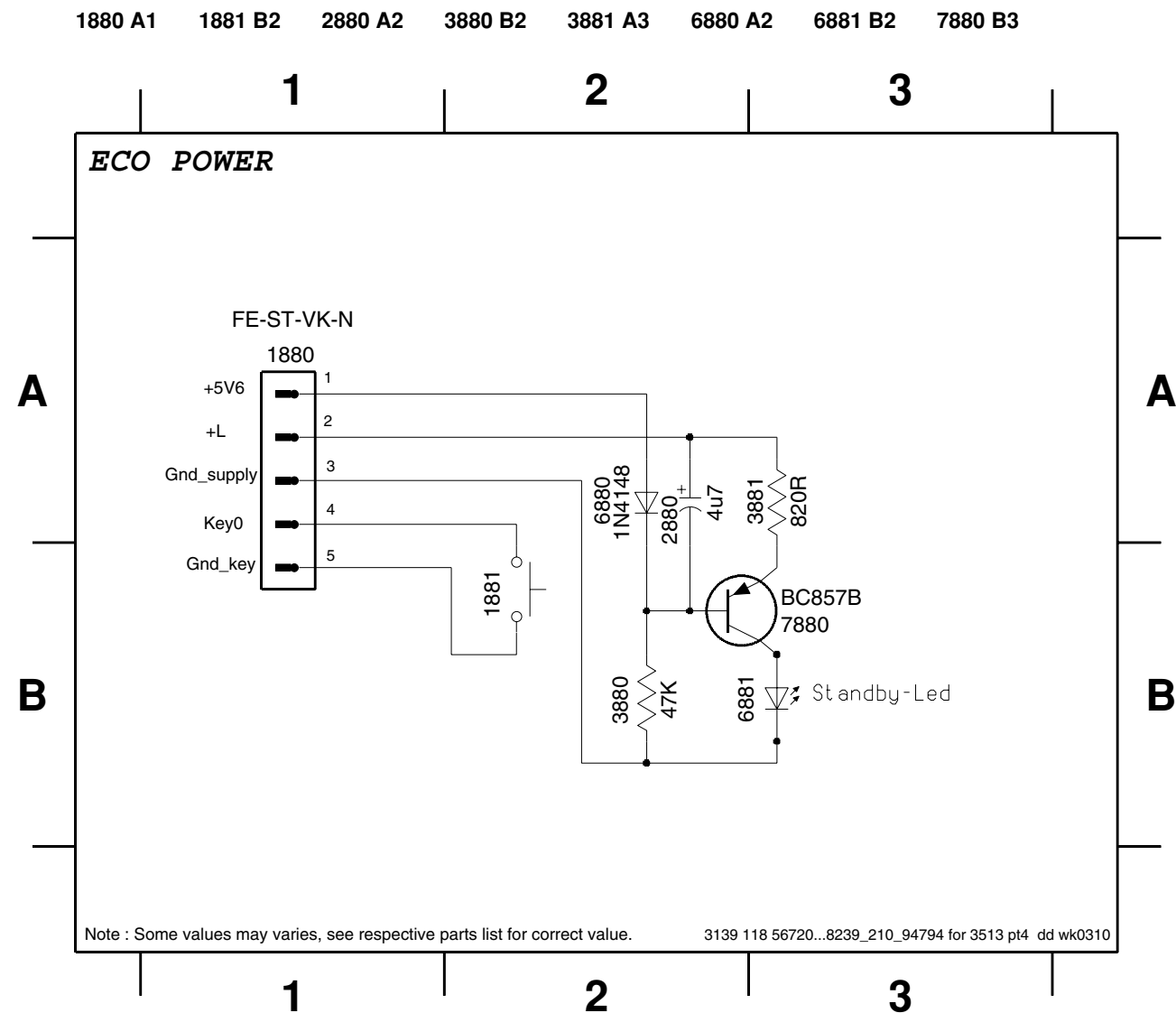
ECO POWER BOARD - COMPONENT LAYOUT



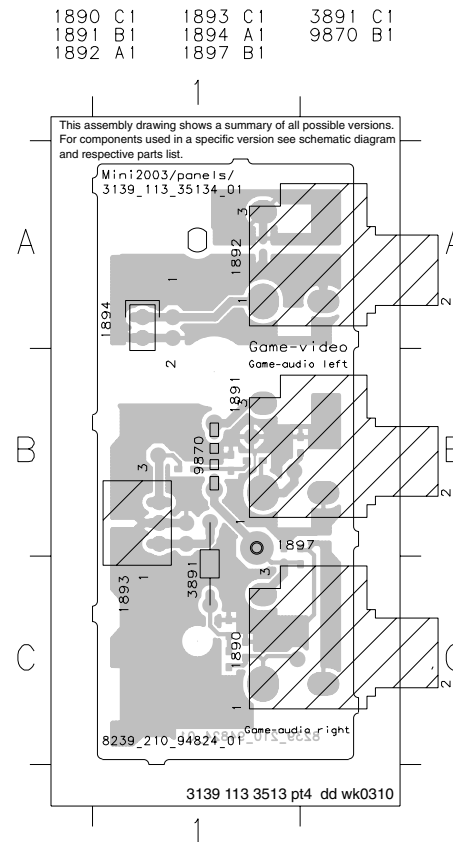
ECO POWER BOARD - CHIP LAYOUT



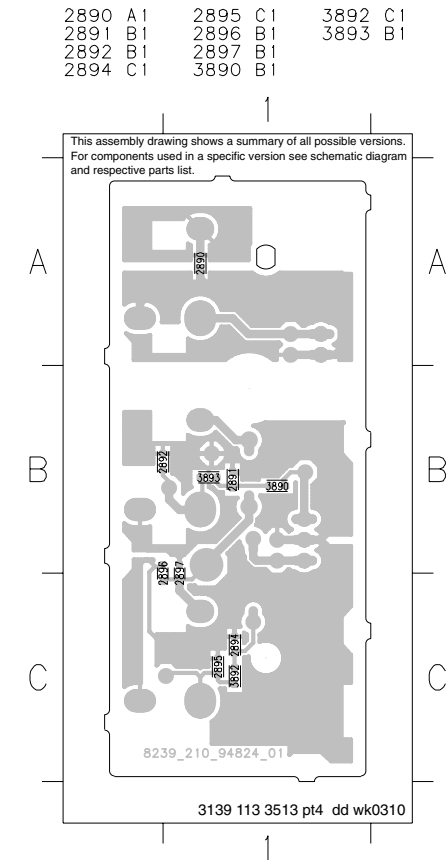
ECO POWER BOARD - CIRCUIT DIAGRAM



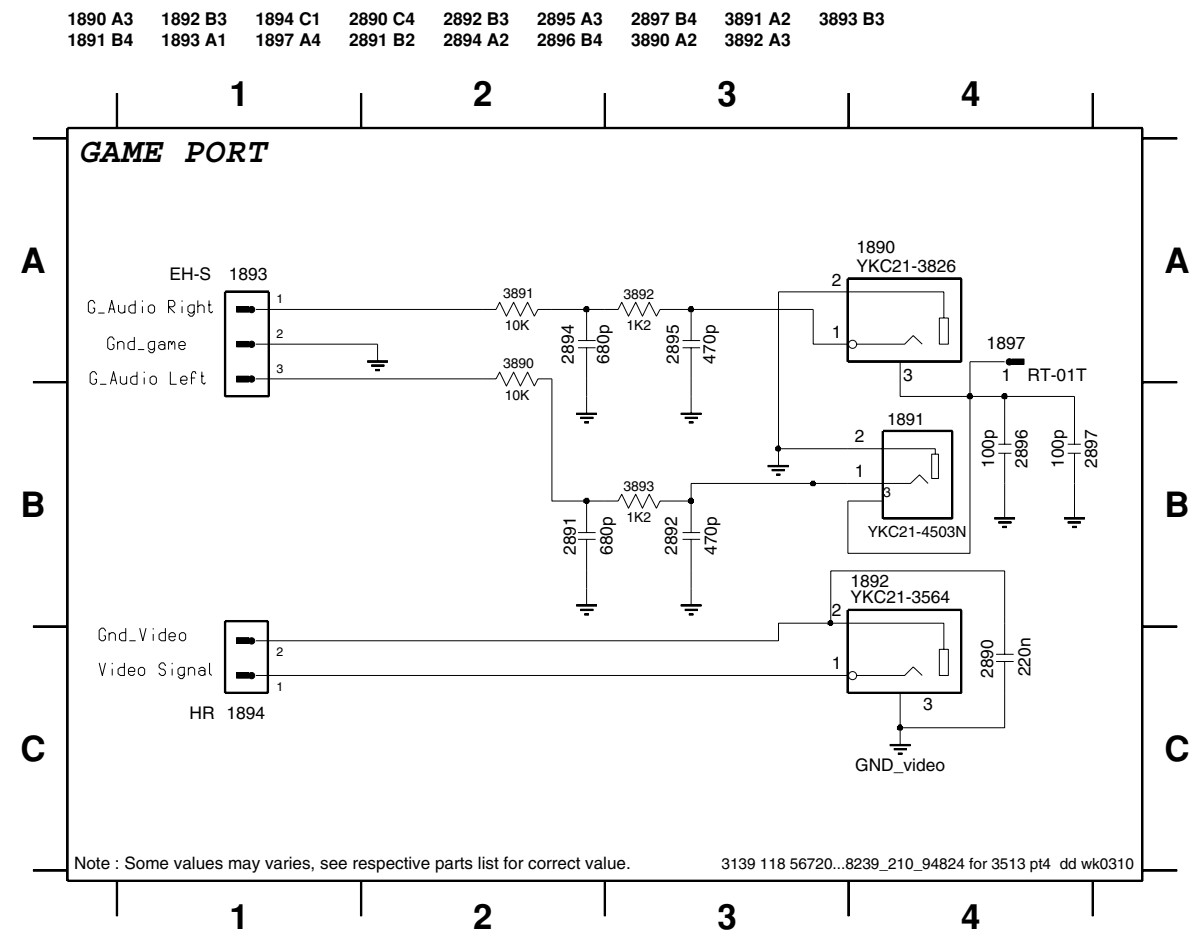
GAME PORT BOARD - COMPONENT LAYOUT



GAME PORT BOARD - CHIP LAYOUT

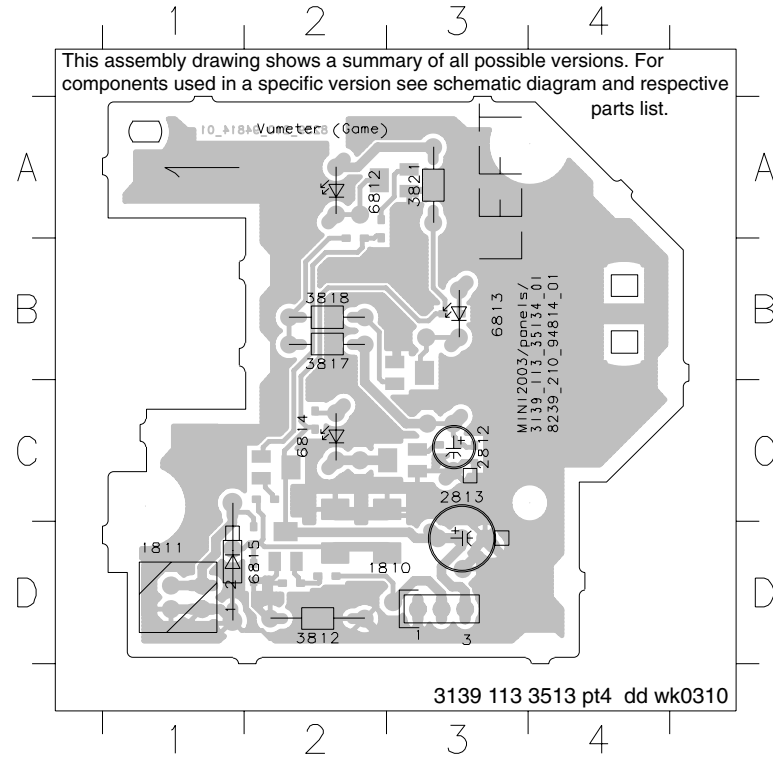


GAME PORT BOARD - CIRCUIT DIAGRAM



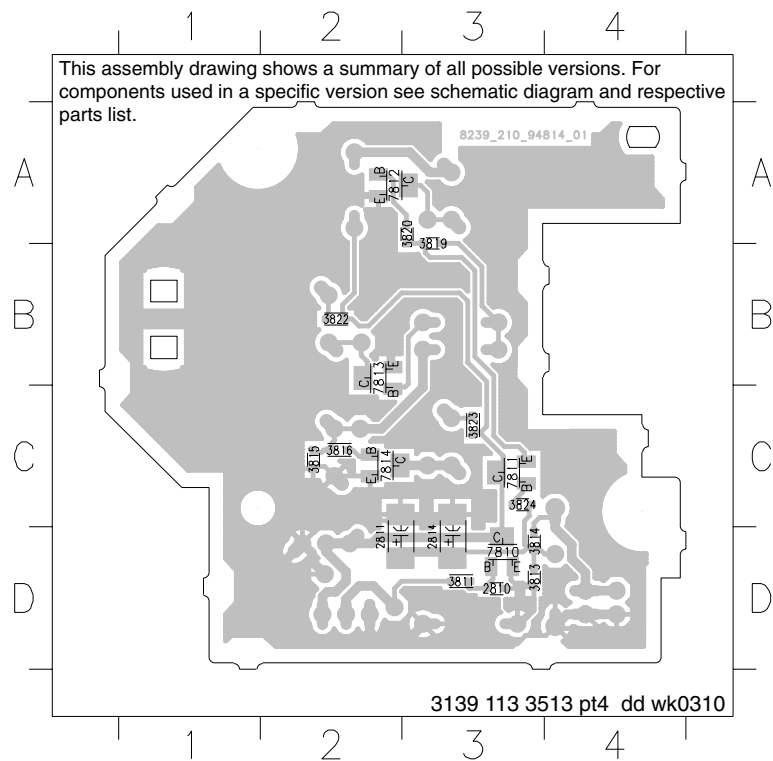
VU METER (LEFT) BOARD - COMPONENT LAYOUT

1810 D3	2813 C3	3818 B2	6813 B3
1811 D1	3812 D2	3821 A3	6814 C2
2812 C3	3817 B2	6812 A2	6815 D2



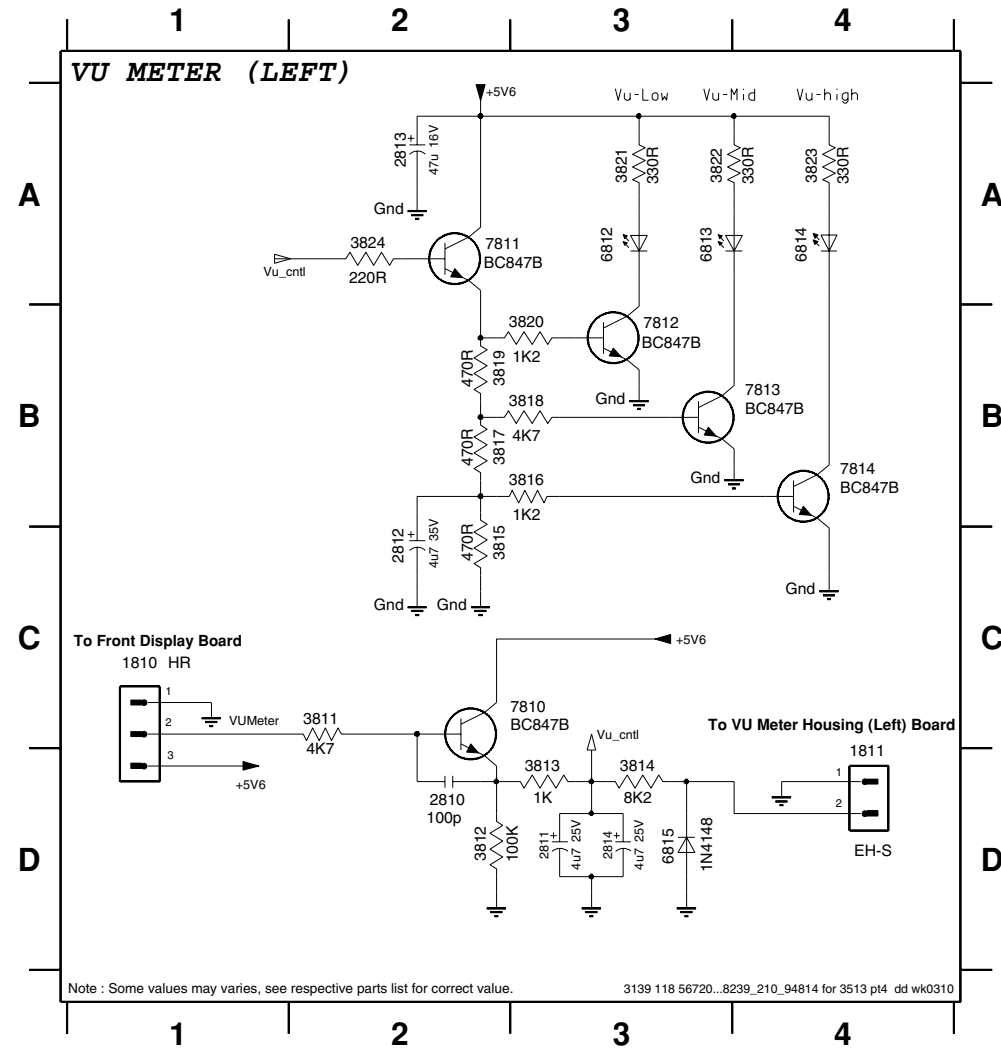
VU METER (LEFT) BOARD - CHIP LAYOUT

2810 D3	3813 D3	3819 A3	3824 C3	7813 B2
2811 D2	3814 D3	3820 A3	7810 D3	7814 C2
2814 D3	3815 C2	3822 B2	7811 C3	
3811 D3	3816 C2	3823 C3	7812 A2	

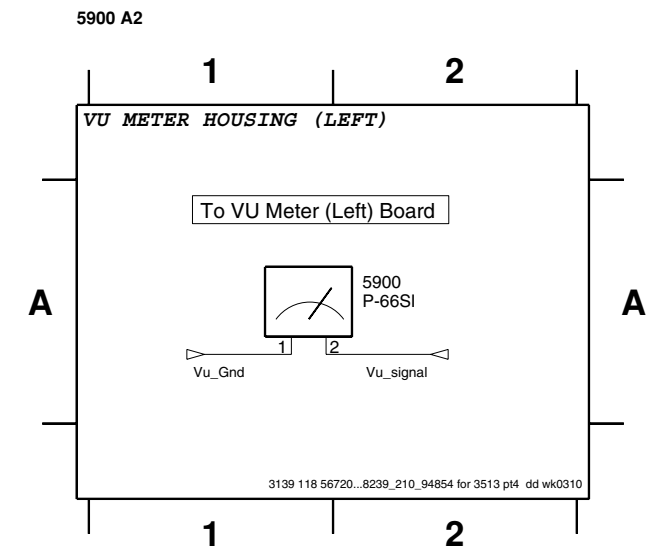
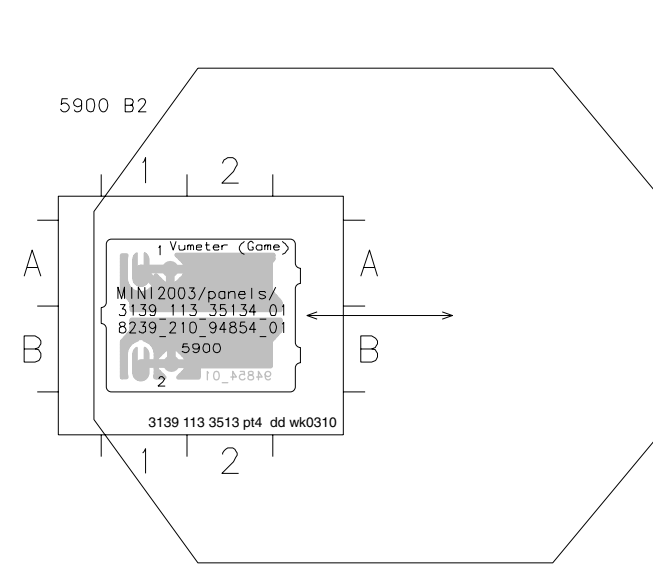


VU METER (LEFT) BOARD - CIRCUIT DIAGRAM

1810 C1	2811 D3	2814 D3	3813 D3	3816 B3	3819 B2	3822 A3	6812 A3	6815 D3	7812 B3
1811 D4	2812 C2	3811 C2	3814 D3	3817 B2	3820 B3	3823 A4	6813 A3	7810 C2	7813 B4
2810 D2	2813 A2	3812 D2	3815 C2	3818 B3	3821 A3	3824 A2	6814 A4	7811 A2	7814 B4

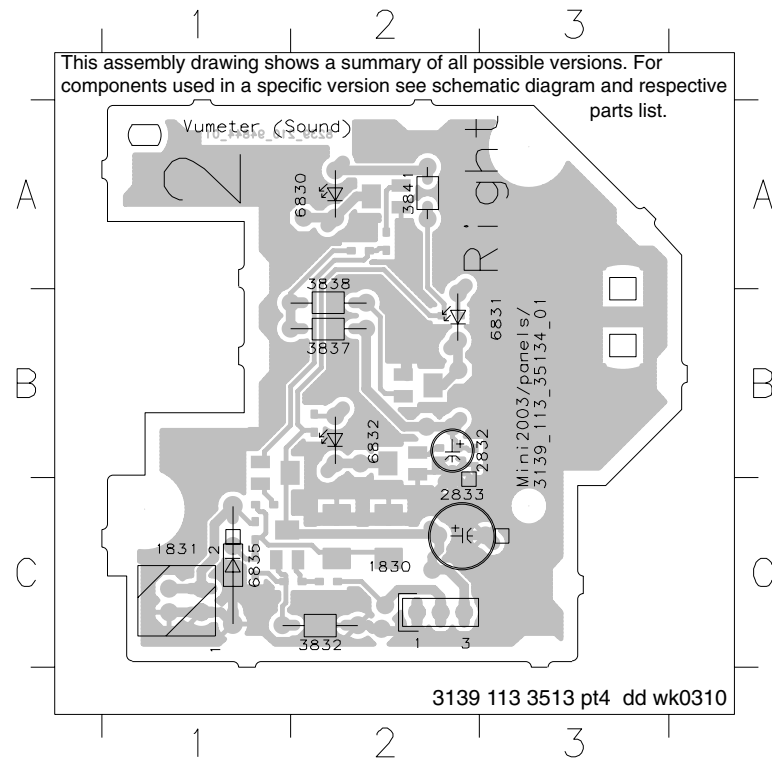


VU METER HOUSING (LEFT) BOARD - COMPONENT LAYOUT & CIRCUIT DIAGRAM



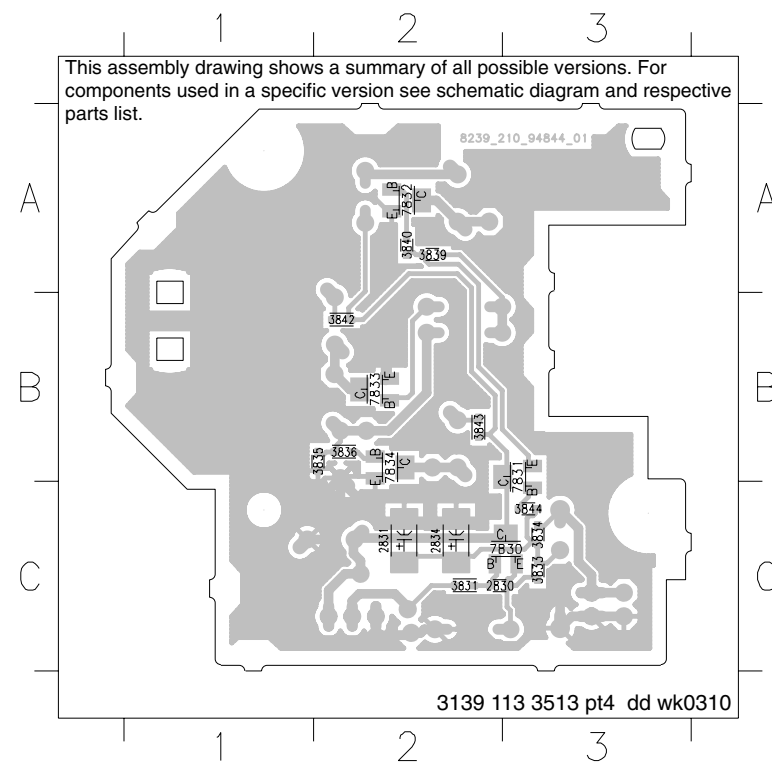
VU METER (RIGHT) BOARD - COMPONENT LAYOUT

1830 C2	2833 C2	3838 A2	6831 B3
1831 C1	3832 C2	3841 A2	6832 B2
2832 B3	3837 B2	6830 A2	6835 C1



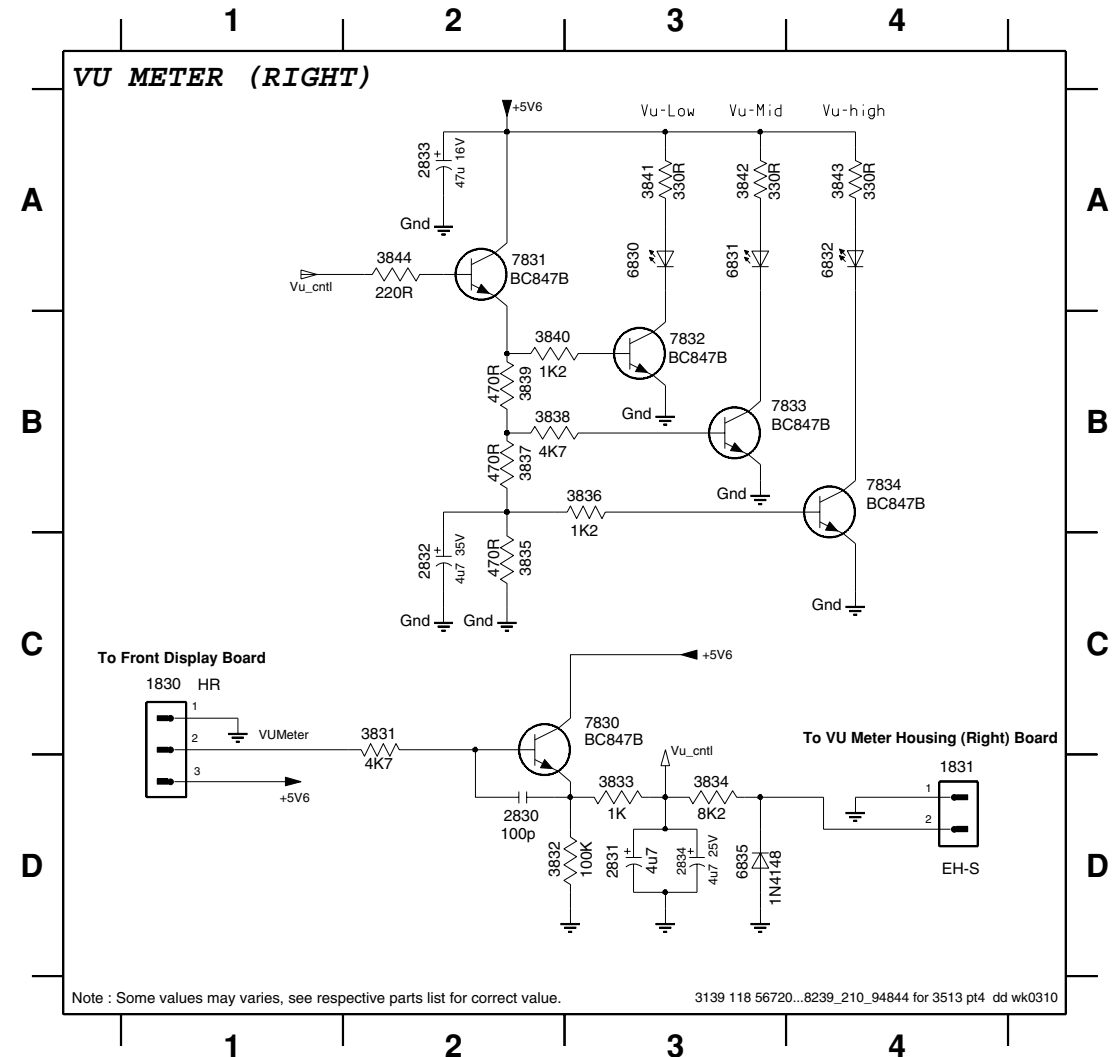
VU METER (RIGHT) BOARD - CHIP LAYOUT

2830 C2	3833 C3	3839 A2	3844 C3	7833 B2
2831 C2	3834 C3	3840 A2	7830 C3	7834 B2
2834 C2	3835 B2	3842 B2	7831 B3	
3831 C2	3836 B2	3843 B2	7832 A2	

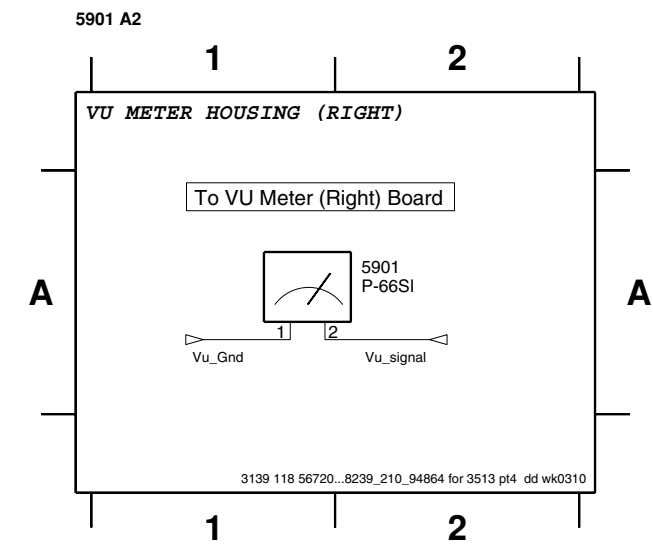
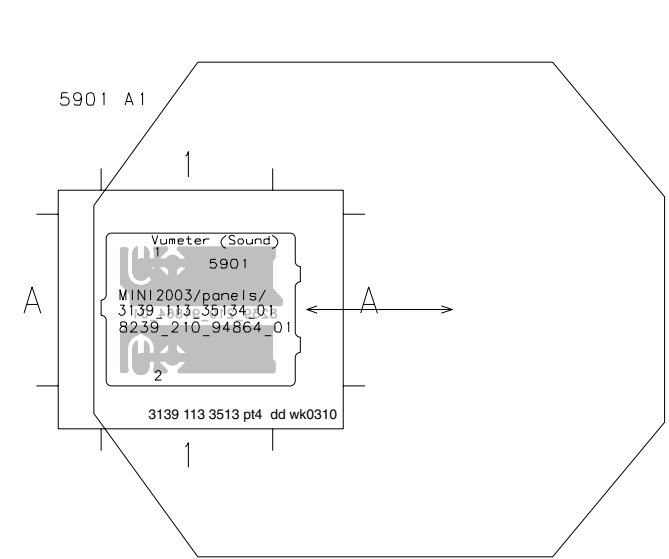


VU METER (RIGHT) BOARD - CIRCUIT DIAGRAM

1830 C1	2831 D3	2834 D3	3833 D3	3836 B3	3839 B2	3842 A3	6830 A3	6835 D3	7832 B3
1831 D4	2832 C2	3831 C2	3834 D3	3837 B2	3840 B2	3843 A4	6831 A3	7830 C3	7833 B3
2830 D2	2833 A2	3832 D2	3835 C2	3838 B2	3841 A3	3844 A2	6832 A4	7831 A2	7834 B4

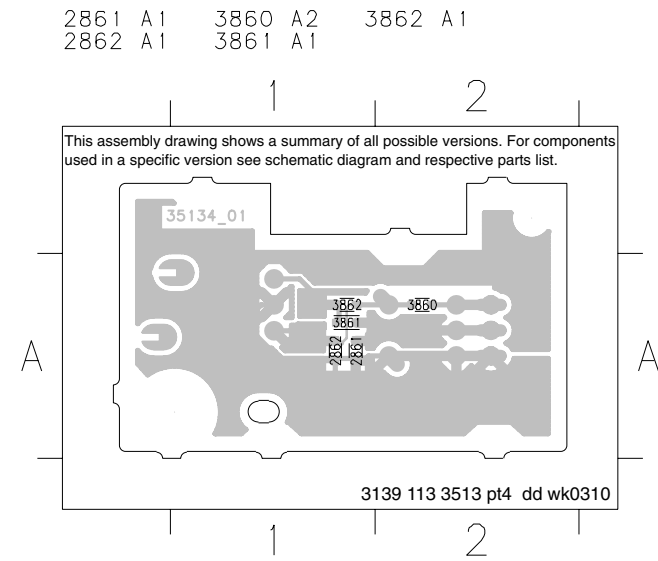
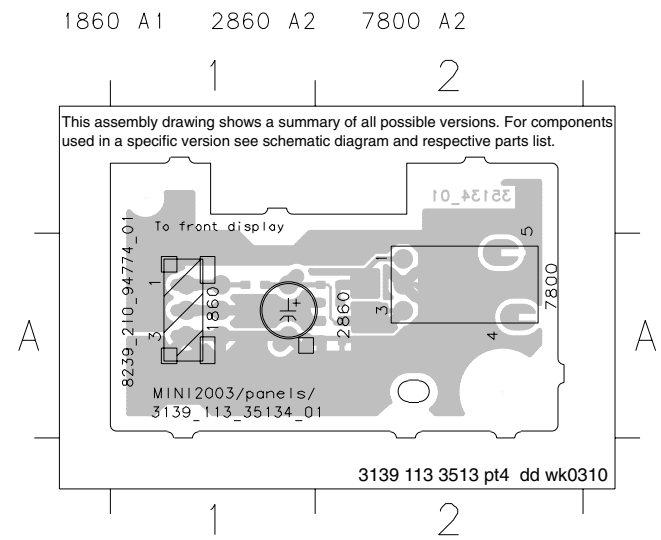


VU METER HOUSING (RIGHT) BOARD - COMPONENT LAYOUT & CIRCUIT DIAGRAM



IR EYE BOARD - COMPONENT LAYOUT

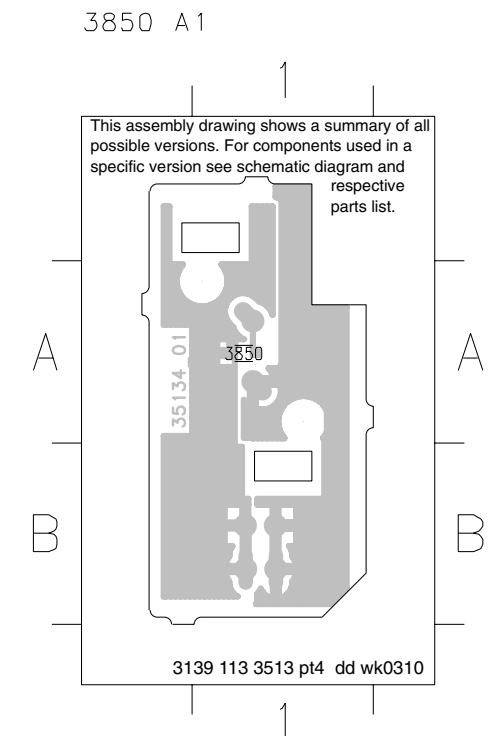
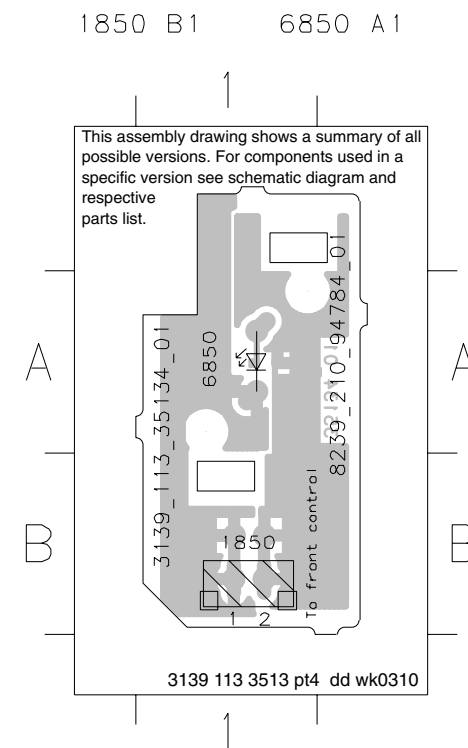
IR EYE BOARD - CHIP LAYOUT



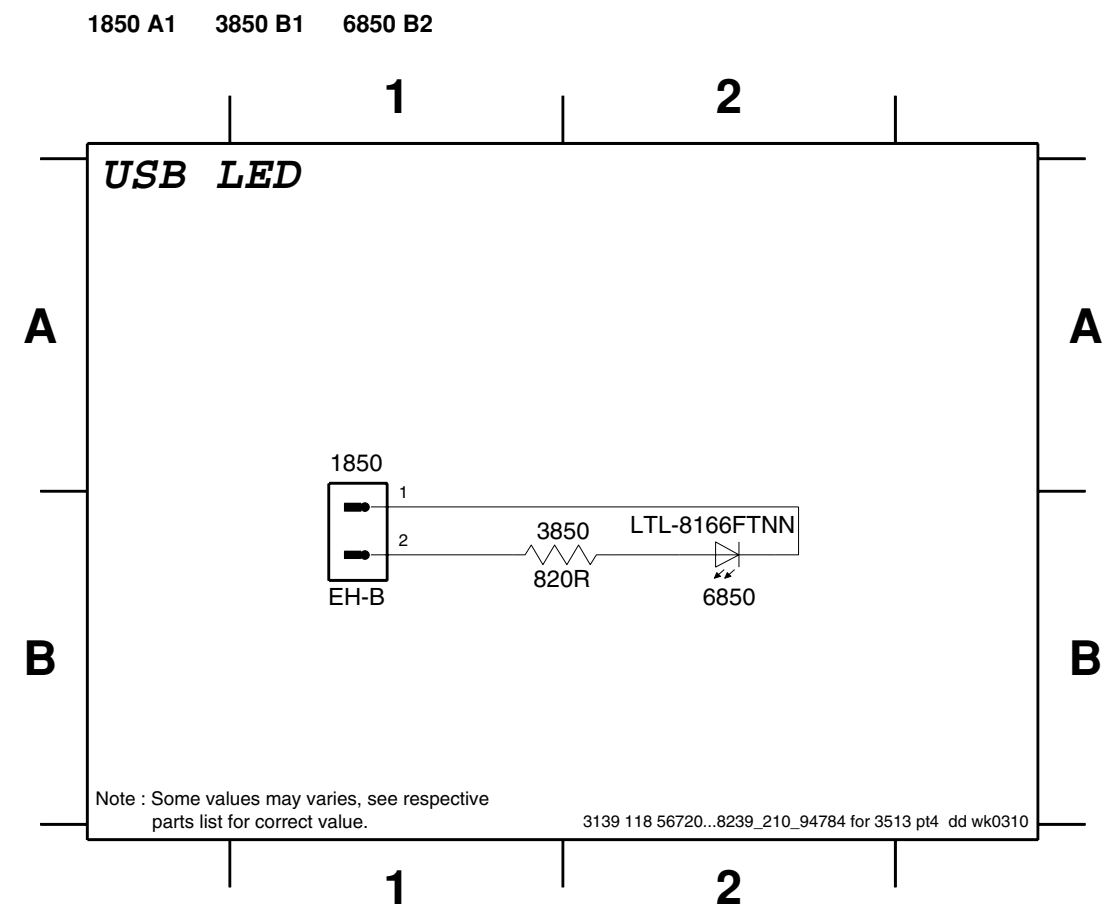
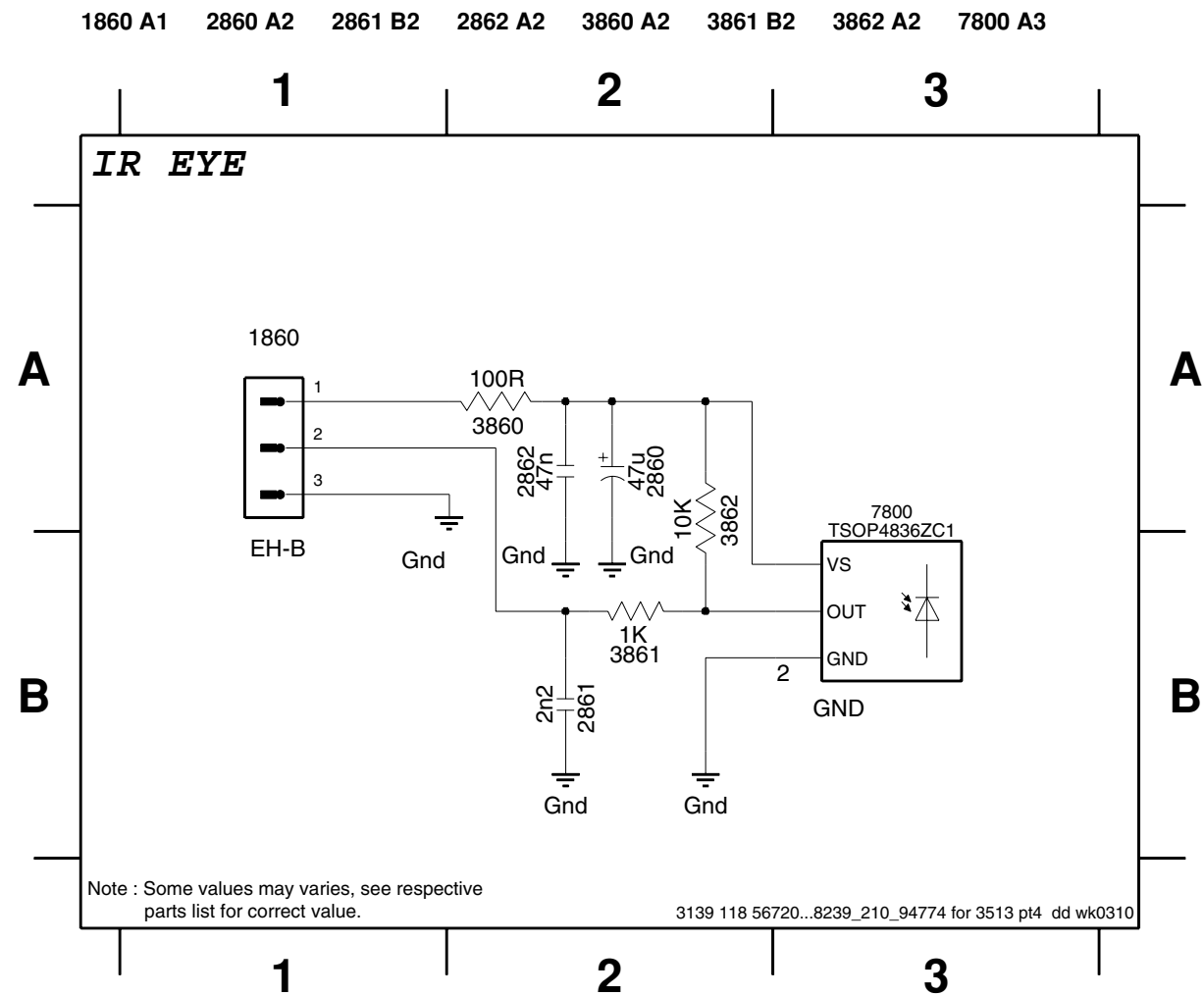
IR EYE BOARD - CIRCUIT DIAGRAM

USB LED BOARD - COMPONENT LAYOUT

USB LED BOARD - CHIP LAYOUT



USB LED BOARD - CIRCUIT DIAGRAM



ELECTRICAL PARTS LIST - FRONT CONTROL BOARD

MISCELLANEOUS

1600	4822 265 11208	Flex Connector 10P
1602	4822 265 11535	Flex Connector 8P
1650	4822 276 13775	Tact Switch
1651	4822 276 13775	Tact Switch
1652	4822 276 13775	Tact Switch
1653	4822 276 13775	Tact Switch
1654	4822 276 13775	Tact Switch
1655	4822 276 13775	Tact Switch
1656	4822 276 13775	Tact Switch
1657	4822 276 13775	Tact Switch
1658	4822 276 13775	Tact Switch
1659	4822 276 13775	Tact Switch
1660	4822 276 13775	Tact Switch
1661	4822 276 13775	Tact Switch
1666	4822 276 13775	Tact Switch
1669	4822 276 13775	Tact Switch
1672	4822 276 13775	Tact Switch
1673	4822 276 13775	Tact Switch
1674	4822 276 13775	Tact Switch
1675	4822 276 13775	Tact Switch
1691	2422 129 16708	Rotary Encoder 24P
1692	4822 276 13775	Tact Switch
1840	4822 267 10733	Flex Connector 4P
1841	4822 265 11529	Headphone Socket
1880	4822 267 10958	Flex Connector 5P
1881	4822 276 13775	Tact Switch
1890	4822 265 10913	Cinch Socket - G/Port Audio R
1891	2422 026 05434	Cinch Socket - G/Port Audio L
1892	4822 267 31996	Cinch Socket - G/Port Video

CAPACITORS

2611	4822 124 41796	22uF 20% 16V
2612	4822 124 22726	4,7uF 35V
2614	4822 124 22726	4,7uF 35V
2616	5322 126 11578	1nF 10% 50V
2617	5322 126 11578	1nF 10% 50V
2620	4822 124 11947	10uF 20% 16V
2621	5322 126 11583	10nF 10% 50V
2622	5322 126 11583	10nF 10% 50V
2623	2020 552 94427	100pF 5% 50V
2624	2020 552 94427	100pF 5% 50V
2625	3198 016 31020	1nF 25V
2626	3198 016 31020	1nF 25V
2627	3198 016 31020	1nF 25V
2628	2238 586 59812	100nF +80/-20% 50V
2629	2238 586 59812	100nF +80/-20% 50V
2630	3198 016 31020	1nF 25V
2631	4822 126 13883	220pF 5% 50V
2632	4822 126 13883	220pF 5% 50V
2633	2020 552 94427	100pF 5% 50V
2634	2020 552 94427	100pF 5% 50V

RESISTORS

3628	4822 051 30102	1k 5% 0,062W
3629	4822 051 30102	1k 5% 0,062W
3637	4822 117 12925	47k 1% 0,063W
3647	4822 051 30471	470R 5% 0,062W
3651	4822 051 30102	1k 5% 0,062W
3652	4822 051 30102	1k 5% 0,062W
3653	4822 117 12925	47k 1% 0,063W
3655	4822 117 12925	47k 1% 0,063W
3656	4822 117 12925	47k 1% 0,063W
3657	4822 051 30472	4k7 5% 0,062W
3658	4822 051 30472	4k7 5% 0,062W
3659	4822 051 30472	4k7 5% 0,062W
3660	4822 101 11904	POTM 20KX2 20% 0,025W
3661	4822 051 30103	10k 5% 0,062W
3662	4822 051 30103	10k 5% 0,062W
3663	4822 051 30151	150R 5% 0,062W
3664	4822 051 30221	220R 5% 0,062W
3665	4822 051 30271	270R 5% 0,062W
3666	4822 051 30391	390R 5% 0,062W
3667	4822 051 30561	560R 5% 0,062W
3668	4822 117 12968	820R 5% 0,62W
3669	4822 117 11817	1k2 1% 1/16W

ELECTRICAL PARTS LIST - FRONT CONTROL BOARD

3670	4822 117 12903	1k8 1% 0,063W
3671	4822 051 30272	2k7 5% 0,062W
3672	4822 051 30472	4k7 5% 0,062W
3674	4822 051 30151	150R 5% 0,062W
3675	4822 051 30221	220R 5% 0,062W
3676	4822 051 30271	270R 5% 0,062W
3677	4822 051 30391	390R 5% 0,062W
3678	4822 051 30561	560R 5% 0,062W
3679	4822 117 12968	820R 5% 0,62W
3680	4822 117 11817	1k2 1% 1/16W
3681	4822 051 30272	2k7 5% 0,062W
3682	4822 051 30472	4k7 5% 0,062W
3683	4822 051 30102	1k 5% 0,062W
3684	4822 051 30102	1k 5% 0,062W
3685	4822 051 30222	2k2 5% 0,062W
3686	4822 051 30222	2k2 5% 0,062W
3689	4822 051 30472	4k7 5% 0,062W
3690	4822 051 30103	10k 5% 0,062W
3691	4822 051 30103	10k 5% 0,062W
3692	4822 051 30103	10k 5% 0,062W
3695	4822 051 30103	10k 5% 0,062W
3702	4822 051 30181	180R 5% 0,062W
3703	4822 051 30181	180R 5% 0,062W
3704	4822 051 30181	180R 5% 0,062W
3708	4822 117 12903	1k8 1% 0,063W
3709	4822 051 30472	4k7 5% 0,062W
3710	4822 051 30221	220R 5% 0,062W
3711	4822 051 30221	220R 5% 0,062W
3712	4822 051 30221	220R 5% 0,062W
3811	4822 051 30472	4k7 5% 0,062W
3812	4822 116 52234	100k 5% 0,5W
3813	4822 051 30102	1k 5% 0,062W
3814	4822 117 12902	8k2 1% 0,063W
3815	4822 051 30471	470R 5% 0,062W
3816	4822 117 11817	1k2 1% 1/16W
3817	4822 116 83883	470R 5% 0,5W
3818	4822 116 52283	4k7 5% 0,5W
3819	4822 051 30471	470R 5% 0,062W
3820	4822 117 11817	1k2 1% 1/16W
3821	4822 116 52219	330R 5% 0,5W
3822	4822 051 30331	330R 5% 0,062W
3823	4822 051 30331	330R 5% 0,062W
3824	4822 051 30221	220R 5% 0,062W
3831	4822 051 30472	4k7 5% 0,062W
3832	4822 116 52234	100k 5% 0,5W
3833	4822 051 30102	1k 5% 0,062W
3834	4822 117 12902	8k2 1% 0,063W
3835	4822 051 30471	470R 5% 0,062W
3836	4822 117 11817	1k2 1% 1/16W
3837	4822 116 83883	470R 5% 0,5W
3838	4822 116 52283	4k7 5% 0,5W

3839	4822 051 30471	470R 5% 0,062W
3840	4822 117 11817	1k2 1% 1/16W
3841	4822 116 52219	330R 5% 0,5W
3842	4822 051 30331	330R 5% 0,062W
3843	4822 051 30331	330R 5% 0,062W
3844	4822 051 30221	220R 5% 0,062W
3860	4822 051 30101	100R 5% 0,062W
3861	4822 051 30102	1k 5% 0,062W
3862	4822 051 30103	10k 5% 0,062W
3880	4822 117 12925	47k 1% 0,063W
3881	4822 117 12968	820R 5% 0,62W
3890	4822 051 30103	10k 5% 0,062W
3891	4822 050 21003	10k 1% 0,6W
3892	4822 117 11817	1k2 1% 1/16W
3893	4822 117 11817	1k2 1% 1/16W
4600	4822 051 30008	OR Jumper 0603
4610	4822 051 30008	OR Jumper 0603
4660	4822 051 30008	OR Jumper 0603
4661	4822 051 30008	OR Jumper 0603
4662	4822 051 30008	OR Jumper 0603

COILS & FILTERS

5601	4822 157 62552	Coil 2,2uH 5%
5602	4822 157 62552	Coil 2,2uH 5%
5840	4822 157 62552	Coil 2,2uH 5%
5841	4822 157 62552	Coil 2,2uH 5%
5842	4822 157 62552	Coil 2,2uH 5%

DIODES

6620	4822 130 11589	LED VS LTL-1CHAE
6621	4822 130 11589	LED VS LTL-1CHAE
6622	4822 130 11589	LED VS LTL-1CHAE
6631	4822 130 11589	LED VS LTL-1CHAE
6632	4822 130 11589	LED VS LTL-1CHAE
6633	4822 130 11589	LED VS LTL-1CHAE
6812	9322 178 15676	LED VS LTL-8166FTNN
6813	9322 178 15676	LED VS LTL-8166FTNN
6814	9322 191 85676	LED VS LTL816KETNN
6815	4822 130 30621	1N4148
6830	9322 178 15676	LED VS LTL-8166FTNN
6831	9322 178 15676	LED VS LTL-8166FTNN
6832	9322 191 85676	LED VS LTL816KETNN
6835	4822 130 30621	1N4148
6880	4822 130 30621	1N4148
6881	9322 167 73676	LED VS LTL-4221NLC-KA

TRANSISTORS & INTEGRATED CIRCUITS

7601	4822 209 15449	74HC4094D
7602	5322 130 60159	BC847B
7603	5322 130 60159	BC847B
7604	5322 130 60159	BC847B

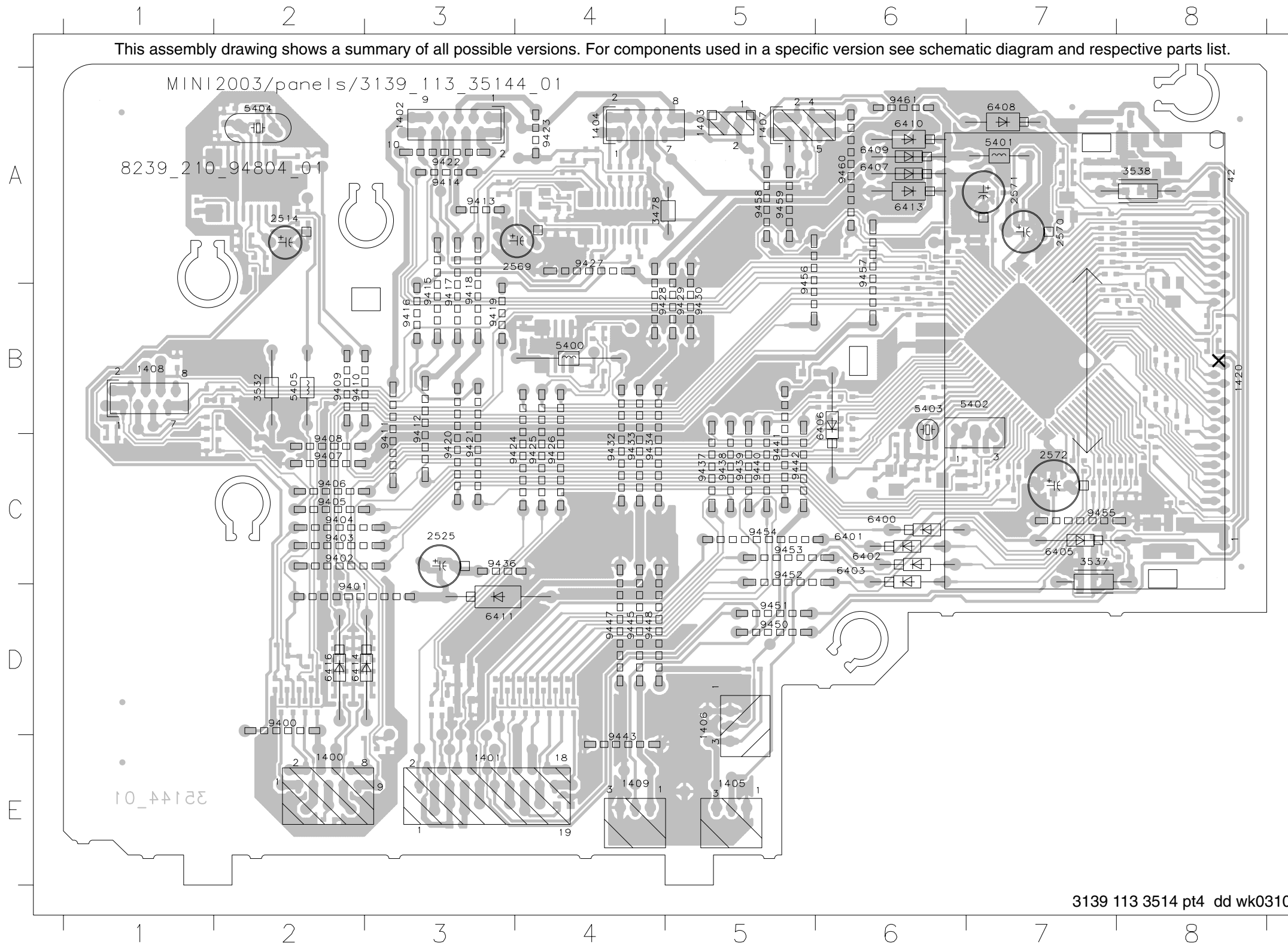
ELECTRICAL PARTS LIST - FRONT CONTROL BOARD

TRANSISTORS & INTEGRATED CIRCUITS

7605	5322 130 60159	BC847B
7606	4822 209 15449	74HC4094D
7607	4822 130 42804	BC817-25
7608	4822 130 42804	BC817-25
7609	4822 130 42804	BC817-25
7610	4822 130 42804	BC817-25
7650	5322 130 60159	BC847B
7800	9322 185 95667	IR Receiver TSOP4836ZC1
7810	5322 130 60159	BC847B
7811	5322 130 60159	BC847B
7812	5322 130 60159	BC847B
7813	5322 130 60159	BC847B
7814	5322 130 60159	BC847B
7830	5322 130 60159	BC847B
7831	5322 130 60159	BC847B
7832	5322 130 60159	BC847B
7833	5322 130 60159	BC847B
7834	5322 130 60159	BC847B
7880	4822 130 60373	BC857B

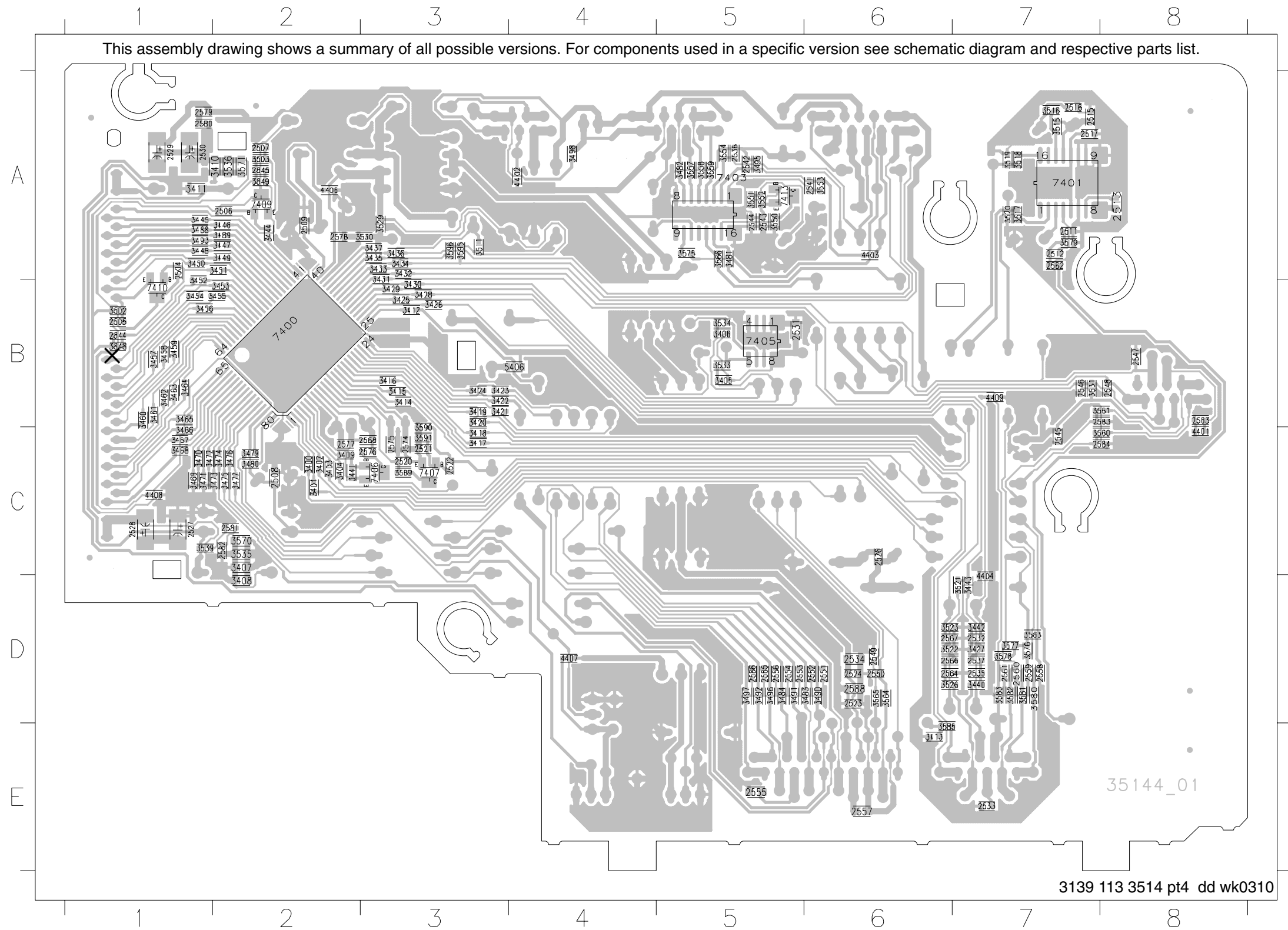
Note : Only the parts mentioned in this list are normal service spare parts.

DISPLAY BOARD - COMPONENT LAYOUT



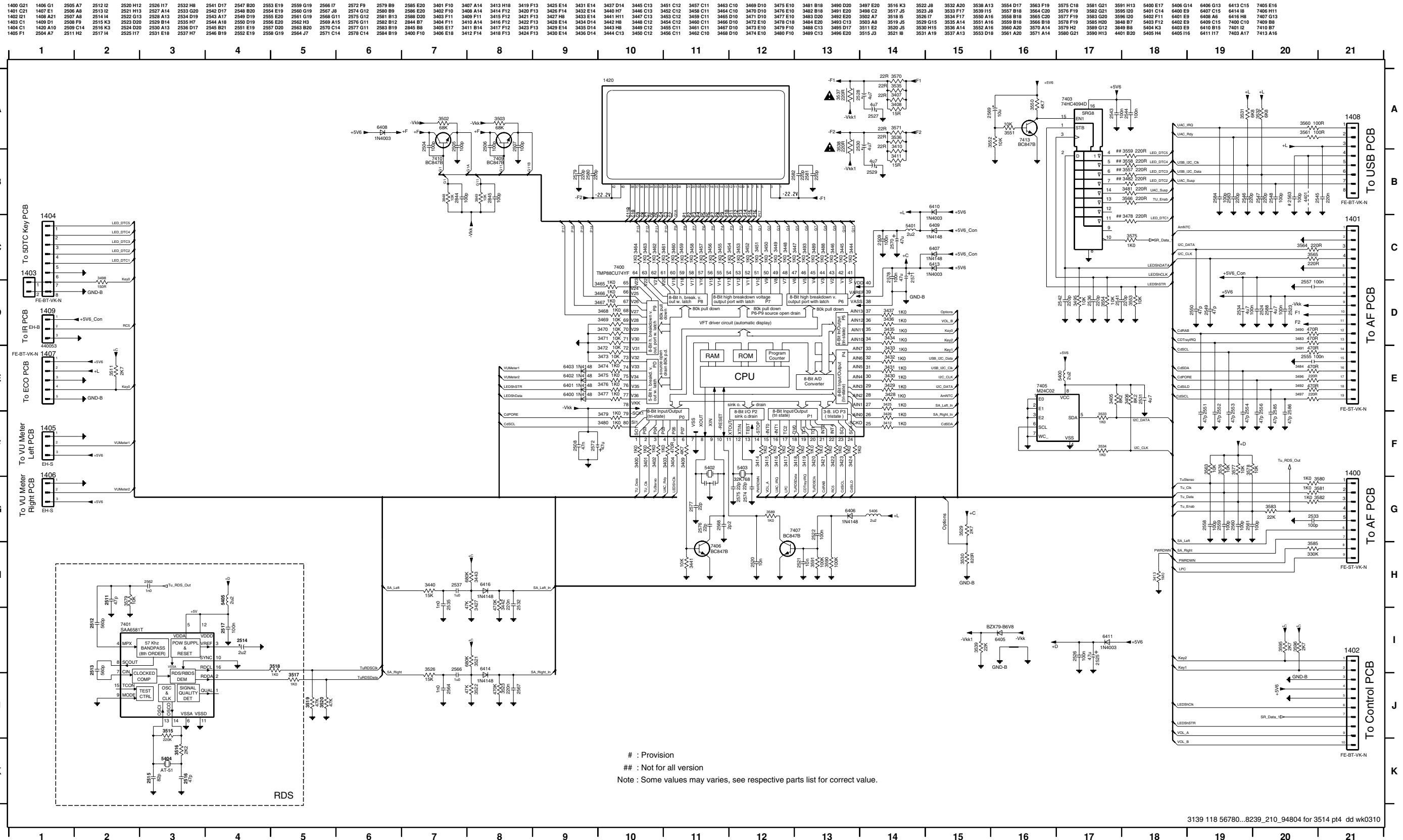
- 1400 E2 9428 B4
- 1401 E3 9429 B5
- 1402 A3 9430 B5
- 1403 A5 9432 C4
- 1404 A4 9433 C4
- 1405 E5 9434 C4
- 1406 D5 9436 C3
- 1407 A5 9437 C5
- 1408 B1 9438 C5
- 1409 E4 9439 C5
- 1420 B8 9440 C5
- 2514 A2 9441 C5
- 2525 C3 9442 C5
- 2569 A4 9443 E4
- 2570 A7 9445 D4
- 2571 A7 9447 D4
- 2572 C7 9448 D4
- 3478 A4 9450 D5
- 3532 B2 9451 D5
- 3537 C7 9452 C5
- 3538 A8 9453 C5
- 5400 B4 9454 C5
- 5401 A7 9455 C7
- 5402 B7 9456 A5
- 5403 B6 9457 A6
- 5404 A2 9458 A5
- 5405 B2 9459 A5
- 6400 C6 9460 A6
- 6401 C6 9461 A6
- 6402 C6
- 6403 C6
- 6405 C7
- 6406 B6
- 6407 A6
- 6408 A7
- 6409 A6
- 6410 A6
- 6411 D3
- 6413 A6
- 6414 D2
- 6416 D2
- 9400 D2
- 9401 D2
- 9402 C2
- 9403 C2
- 9404 C2
- 9405 C2
- 9406 C2
- 9407 C2
- 9408 C2
- 9409 B2
- 9410 B2
- 9411 C3
- 9412 B3
- 9413 A3
- 9414 A3
- 9415 B3
- 9416 B3
- 9417 B3
- 9418 B3
- 9419 B3
- 9420 C3
- 9421 C3
- 9422 A3
- 9423 A4
- 9424 C3
- 9425 C4
- 9426 C4
- 9427 A4

DISPLAY BOARD - CHIP LAYOUT



2504	A1	2588	D6	3468	C1	3581	D7
2505	B1	2844	B1	3469	C1	3582	D7
2506	A2	2845	A2	3470	C1	3583	D7
2507	A2	3400	C2	3471	C1	3585	E6
2508	C2	3401	C2	3472	C1	3589	C3
2509	A2	3402	C2	3473	C2	3590	C3
2511	A7	3403	C2	3474	C2	3591	C3
2512	A7	3404	C2	3475	C2	3595	A3
2513	A8	3405	B5	3476	C2	3596	A3
2515	A7	3406	B5	3477	C2	3848	B1
2516	A7	3407	C2	3479	C2	3849	A2
2517	A7	3408	D2	3480	C2	4401	C8
2520	C3	3409	C2	3481	A5	4402	A4
2521	C3	3410	A2	3482	A5	4403	A6
2522	C3	3411	A1	3483	D6	4404	D7
2523	D6	3412	B3	3484	D5	4406	A2
2524	D6	3413	E6	3488	A1	4407	D4
2526	C6	3414	B3	3489	A2	4408	C1
2527	C1	3415	B3	3490	D6	4409	B7
2528	C1	3416	B3	3491	D5	5406	B4
2529	A1	3417	C3	3492	D5	7400	B2
2530	A1	3418	C3	3493	A1	7401	A7
2531	B5	3419	B3	3495	A5	7403	A5
2532	D7	3420	B3	3496	D5	7405	B5
2533	E7	3421	B3	3497	D5	7406	C3
2534	D6	3422	B3	3498	A4	7407	C3
2535	D7	3423	B3	3502	B1	7409	A2
2536	A5	3424	B3	3503	A2	7410	B1
2537	D7	3425	B3	3511	A3	7413	A5
2541	A6	3426	B3	3515	A7		
2542	A5	3427	D7	3516	A7		
2543	A5	3428	B3	3517	A7		
2544	A5	3429	B3	3518	A7		
2545	C7	3430	B3	3519	A7		
2546	B7	3431	A3	3520	A7		
2547	B8	3432	A3	3521	D7		
2548	B8	3433	A3	3522	D6		
2549	D6	3434	A3	3523	D6		
2550	D6	3435	A3	3526	D6		
2551	D6	3436	A3	3529	A3		
2552	D6	3437	A3	3530	A3		
2553	D5	3440	D7	3531	B7		
2554	D5	3441	C2	3533	B5		
2555	E5	3442	D7	3534	B5		
2556	D5	3443	D7	3535	C2		
2557	E6	3444	A2	3536	A2		
2558	D7	3445	A1	3539	C1		
2559	D7	3446	A2	3550	A5		
2560	D7	3447	A2	3551	A5		
2561	D7	3448	A1	3552	A5		
2562	A7	3449	A2	3553	A6		
2563	B8	3450	A1	3554	A5		
2564	D6	3451	A2	3557	A5		
2566	D6	3452	B1	3558	A5		
2567	D6	3453	B2	3559	A5		
2568	C3	3454	B1	3560	C8		
2574	C3	3455	B2	3561	B8		
2575	C3	3456	B1	3563	D7		
2576	C3	3457	B1	3564	D6		
2577	C2	3458	B1	3565	D6		
2578	A2	3459	B1	3566	A5		
2579	A1	3460	B1	3570	C2		
2580	A1	3461	B1	3571	A2		
2581	C2	3462	B1	3575	A5		
2582	C2	3463	B1	3576	D7		
2583	B8	3464	B1	3577	D7		
2584	C8	3465	B1	3578	D7		
2585	D5	3466	C1	3579	A7		
2586	D5	3467	C1	3580	D7		

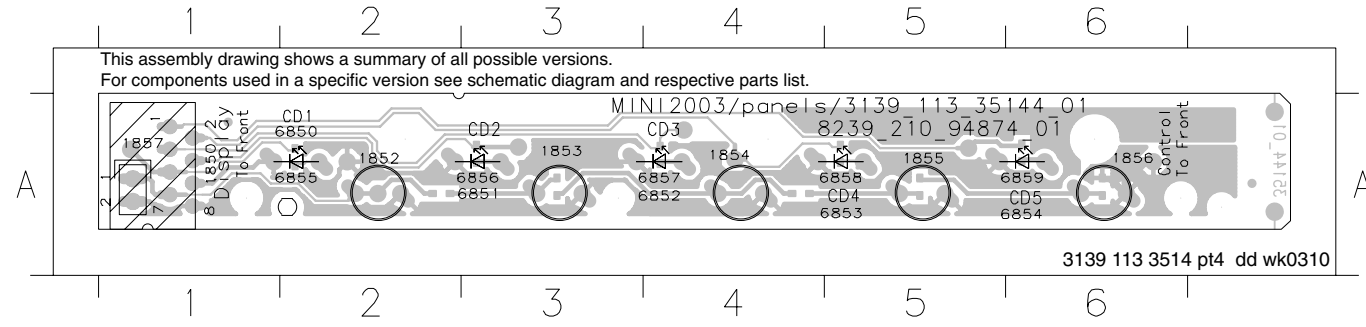
DISPLAY BOARD - CIRCUIT DIAGRAM



: Provision
 ## : Not for all version
 Note : Some values may varies, see respective parts list for correct value.

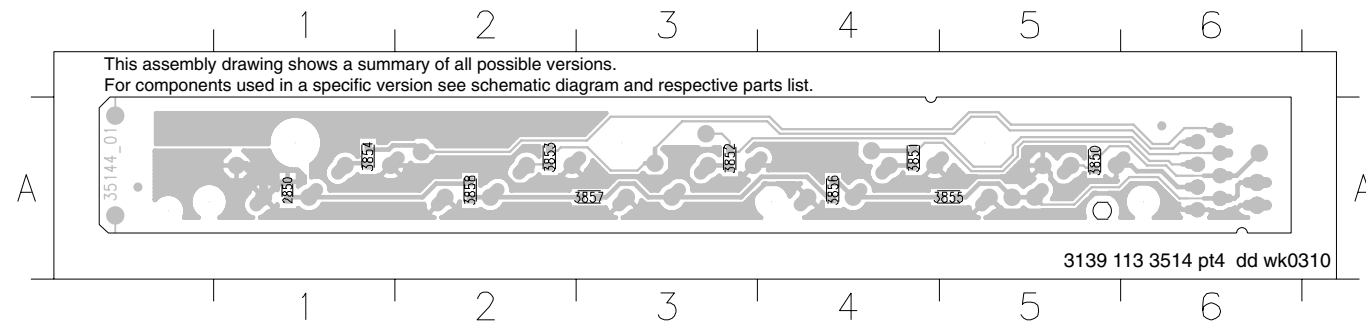
5DTC KEY BOARD - COMPONENT LAYOUT

1850 A1 1853 A3 1855 A5 1857 A1 6851 A3 6853 A5 6855 A2 6857 A4 6859 A6
 1852 A2 1854 A4 1856 A6 6850 A2 6852 A4 6854 A6 6856 A3 6858 A5



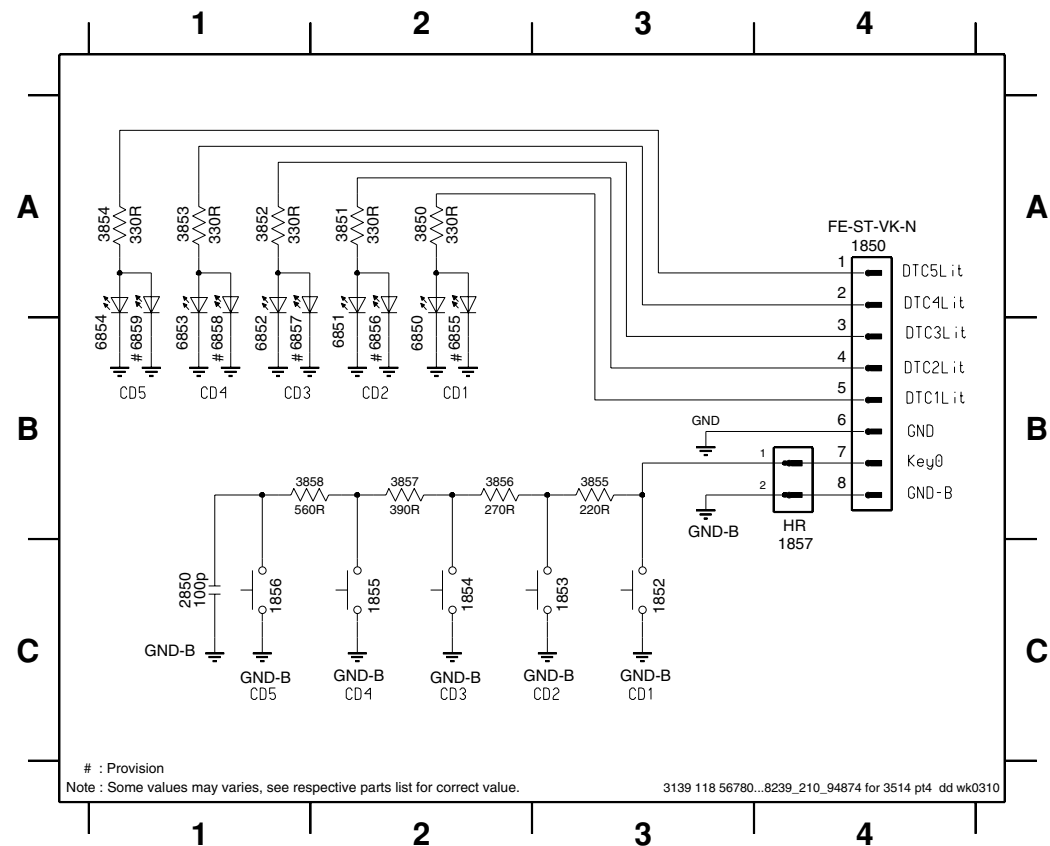
5DTC KEY BOARD - CHIP LAYOUT

2850 A1 3850 A5 3851 A4 3852 A3 3853 A2 3854 A1 3855 A5 3856 A4 3857 A3 3858 A2



5DTC KEY BOARD - CIRCUIT DIAGRAM

1850 A4 1854 C2 1857 C4 3851 A2 3854 A1 3857 B2 6851 A2 6854 B1 6857 B1
 1852 C3 1855 C2 2850 C1 3852 A1 3855 B3 3858 B1 6852 A1 6855 B2 6858 B1
 1853 C3 1856 C1 3850 A2 3853 A1 3856 B2 6850 A2 6853 A1 6856 B2 6859 B1



ELECTRICAL PARTS LIST - FRONT DISPLAY BOARD

MISCELLANEOUS

1400	4822 265 11531	Flex Connector 9P	2557	2238 586 59812	100nF +80/-20% 50V
1401	4822 265 11545	Flex Connector 19P	2558	2020 552 94427	100pF 5% 50V
1402	4822 267 10729	Flex Connector 10P	2559	2020 552 94427	100pF 5% 50V
1407	4822 267 10954	Flex Connector 5P	2560	2020 552 94427	100pF 5% 50V
1420	3139 110 53411	FTD (BJ902GNK)	2561	2020 552 94427	100pF 5% 50V
1852	4822 276 13775	Tact Switch	2563	2020 552 94427	100pF 5% 50V
1853	4822 276 13775	Tact Switch	2564	5322 126 11578	1nF 10% 50V
1854	4822 276 13775	Tact Switch	2566	3198 017 41050	1uF 10V
1855	4822 276 13775	Tact Switch	2567	4822 126 13879	220nF +80/-20% 16V
1856	4822 276 13775	Tact Switch	2568	4822 126 14223	2,2pF 50V
			2569	4822 124 40248	10uF 20% 63V
			2570	4822 124 12233	47uF 20% 25V
			2571	4822 124 12233	47uF 20% 25V
			2572	3198 028 44790	47uF 20% 35V
			2574	4822 122 33761	22pF 5% 50V
			2575	4822 122 33761	22pF 5% 50V
			2576	4822 122 33761	22pF 5% 50V
			2577	4822 122 33761	22pF 5% 50V
			2578	2238 586 59812	100nF +80/-20% 50V
			2579	4822 126 13883	220pF 5% 50V
			2580	4822 126 13883	220pF 5% 50V
			2581	4822 126 13883	220pF 5% 50V
			2582	4822 126 13883	220pF 5% 50V
			2583	4822 126 13883	220pF 5% 50V
			2584	2020 552 94427	100pF 5% 50V
			2585	4822 126 11785	47pF 5% 50V
			2586	4822 126 11785	47pF 5% 50V
			2588	2020 552 96305	4,7uF +80/-20% 10V
			2844	2020 552 94427	100pF 5% 50V
			2845	2020 552 94427	100pF 5% 50V
			2850	2020 552 94427	100pF 5% 50V

CAPACITORS

2504	2020 552 94427	100pF 5% 50V	2571	4822 124 12233	47uF 20% 25V
2505	2020 552 94427	100pF 5% 50V	2572	3198 028 44790	47uF 20% 35V
2506	2020 552 94427	100pF 5% 50V	2574	4822 122 33761	22pF 5% 50V
2507	2020 552 94427	100pF 5% 50V	2575	4822 122 33761	22pF 5% 50V
2508	3198 024 44730	47nF 50V	2576	4822 122 33761	22pF 5% 50V
2509	2238 586 59812	100nF +80/-20% 50V	2577	4822 122 33761	22pF 5% 50V
2520	5322 126 11583	10nF 10% 50V	2578	2238 586 59812	100nF +80/-20% 50V
2521	5322 126 11583	10nF 10% 50V	2579	4822 126 13883	220pF 5% 50V
2522	2238 586 59812	100nF +80/-20% 50V	2580	4822 126 13883	220pF 5% 50V
2523	2238 586 59812	100nF +80/-20% 50V	2581	4822 126 13883	220pF 5% 50V
2524	2238 586 59812	100nF +80/-20% 50V	2582	4822 126 13883	220pF 5% 50V
2525	4822 124 12233	47uF 20% 25V	2583	4822 126 13883	220pF 5% 50V
2526	2238 586 59812	100nF +80/-20% 50V	2584	2020 552 94427	100pF 5% 50V
2527	4822 124 12312	4,7uF 20% 16V	2585	4822 126 11785	47pF 5% 50V
2528	4822 124 12312	4,7uF 20% 16V	2586	4822 126 11785	47pF 5% 50V
2529	4822 124 12312	4,7uF 20% 16V	2588	2020 552 96305	4,7uF +80/-20% 10V
2530	4822 124 12312	4,7uF 20% 16V	2844	2020 552 94427	100pF 5% 50V
2531	2020 552 96305	4,7uF +80/-20% 10V	2845	2020 552 94427	100pF 5% 50V
2532	4822 126 13879	220nF +80/-20% 16V	2850	2020 552 94427	100pF 5% 50V
2533	2020 552 94427	100pF 5% 50V			
2534	2020 552 96305	4,7uF +80/-20% 10V			
2535	5322 126 11578	1nF 10% 50V			
2536	4822 126 13883	220pF 5% 50V			
2537	3198 017 41050	1uF 10V			
2541	4822 126 13883	220pF 5% 50V			
2542	4822 126 13883	220pF 5% 50V			
2543	2238 586 59812	100nF +80/-20% 50V			
2544	2238 586 59812	100nF +80/-20% 50V			
2545	4822 126 13879	220nF +80/-20% 16V			
2546	4822 126 13883	220pF 5% 50V			
2547	4822 126 13883	220pF 5% 50V			
2548	2020 552 94427	100pF 5% 50V			
2549	4822 126 11785	47pF 5% 50V			
2550	4822 126 11785	47pF 5% 50V			
2551	4822 126 11785	47pF 5% 50V			
2552	4822 126 11785	47pF 5% 50V			
2553	4822 126 11785	47pF 5% 50V			
2554	4822 126 11785	47pF 5% 50V			
2555	2238 586 59812	100nF +80/-20% 50V			
2556	4822 126 11785	47pF 5% 50V			

RESISTORS

3400	4822 051 30102	1k 5% 0,062W
3401	4822 051 30102	1k 5% 0,062W
3402	4822 051 30102	1k 5% 0,062W
3403	4822 051 30102	1k 5% 0,062W
3404	4822 051 30471	470R 5% 0,062W
3405	4822 117 12902	8k2 1% 0,063W
3406	4822 117 12902	8k2 1% 0,063W
3407	4822 051 20229	22R 5% 0,1W
3408	4822 051 20159	15R 5% 0,1W
3409	4822 051 30472	4k7 5% 0,062W
3410	4822 051 20229	22R 5% 0,1W
3411	4822 051 20159	15R 5% 0,1W
3412	4822 051 30102	1k 5% 0,062W
3413	4822 051 30105	1M 5% 0,062W
3414	4822 051 30102	1k 5% 0,062W
3415	4822 051 30102	1k 5% 0,062W
3416	4822 051 30102	1k 5% 0,062W
3417	4822 051 30102	1k 5% 0,062W
3418	4822 051 30102	1k 5% 0,062W

ELECTRICAL PARTS LIST - FRONT DISPLAY BOARD**RESISTORS**

3419	4822 051 30102	1k 5% 0,062W	3473	4822 051 30103	10k 5% 0,062W
3420	4822 051 30102	1k 5% 0,062W	3474	4822 051 30102	1k 5% 0,062W
3421	4822 051 30102	1k 5% 0,062W	3475	4822 051 30102	1k 5% 0,062W
3422	4822 051 30102	1k 5% 0,062W	3476	4822 051 30102	1k 5% 0,062W
3423	4822 051 30102	1k 5% 0,062W	3477	4822 051 30102	1k 5% 0,062W
3424	4822 051 30102	1k 5% 0,062W	3479	4822 051 30102	1k 5% 0,062W
3425	4822 051 30102	1k 5% 0,062W	3480	4822 051 30102	1k 5% 0,062W
3426	4822 051 30102	1k 5% 0,062W	3481	4822 051 30221	220R 5% 0,062W
3427	4822 117 12925	47k 1% 0,063W	3483	4822 051 30471	470R 5% 0,062W
3428	4822 051 30102	1k 5% 0,062W	3484	4822 051 30471	470R 5% 0,062W
3429	4822 051 30102	1k 5% 0,062W	3488	4822 051 30102	1k 5% 0,062W
3430	4822 051 30102	1k 5% 0,062W	3489	4822 051 30102	1k 5% 0,062W
3431	4822 051 30102	1k 5% 0,062W	3490	4822 051 30471	470R 5% 0,062W
3432	4822 051 30102	1k 5% 0,062W	3491	4822 051 30471	470R 5% 0,062W
3433	4822 051 30102	1k 5% 0,062W	3492	4822 051 30471	470R 5% 0,062W
3434	4822 051 30102	1k 5% 0,062W	3493	4822 051 30102	1k 5% 0,062W
3435	4822 051 30102	1k 5% 0,062W	3495	4822 051 30103	10k 5% 0,062W
3436	4822 051 30102	1k 5% 0,062W	3496	4822 051 30221	220R 5% 0,062W
3437	4822 051 30102	1k 5% 0,062W	3497	4822 051 30221	220R 5% 0,062W
3440	4822 051 30153	15k 5% 0,062W	3498	4822 051 30151	150R 5% 0,062W
3441	4822 051 30103	10k 5% 0,062W	3502	4822 051 30683	68k 5% 0,062W
3442	4822 051 30474	470k 5% 0,062W	3503	4822 051 30683	68k 5% 0,062W
3443	4822 051 30684	680k 5% 0,062W	3511	4822 051 30272	2k7 5% 0,062W
3444	4822 051 30102	1k 5% 0,062W	3519	4822 117 12925	47k 1% 0,063W
3445	4822 051 30102	1k 5% 0,062W	3520	4822 117 12925	47k 1% 0,063W
3446	4822 051 30102	1k 5% 0,062W	3521	4822 051 30684	680k 5% 0,062W
3447	4822 051 30102	1k 5% 0,062W	3522	4822 117 12925	47k 1% 0,063W
3448	4822 051 30102	1k 5% 0,062W	3523	4822 051 30474	470k 5% 0,062W
3449	4822 051 30102	1k 5% 0,062W	3526	4822 051 30153	15k 5% 0,062W
3450	4822 051 30102	1k 5% 0,062W	3529	4822 051 30272	2k7 5% 0,062W
3451	4822 051 30102	1k 5% 0,062W	3530	4822 051 30181	180R 5% 0,062W
3452	4822 051 30102	1k 5% 0,062W	3531	4822 051 30682	6k8 5% 0,062W
3453	4822 051 30102	1k 5% 0,062W	3532	4822 116 83961	6k8 5%
3454	4822 051 30102	1k 5% 0,062W	3533	4822 051 30102	1k 5% 0,062W
3455	4822 051 30102	1k 5% 0,062W	3534	4822 051 30102	1k 5% 0,062W
3456	4822 051 30102	1k 5% 0,062W	3535	4822 051 20229	22R 5% 0,1W
3457	4822 051 30102	1k 5% 0,062W	3536	4822 051 20229	22R 5% 0,1W
3458	4822 051 30102	1k 5% 0,062W	3537	4822 052 10221	△ 220R 5% 0,33W
3459	4822 051 30102	1k 5% 0,062W	3538	4822 052 10221	△ 220R 5% 0,33W
3460	4822 051 30102	1k 5% 0,062W	3539	4822 051 30223	22k 5% 0,062W
3461	4822 051 30102	1k 5% 0,062W	3550	4822 051 30472	4k7 5% 0,062W
3462	4822 051 30102	1k 5% 0,062W	3551	4822 051 30103	10k 5% 0,062W
3463	4822 051 30102	1k 5% 0,062W	3552	4822 051 30103	10k 5% 0,062W
3464	4822 051 30102	1k 5% 0,062W	3553	4822 051 30103	10k 5% 0,062W
3465	4822 051 30102	1k 5% 0,062W	3554	4822 051 30103	10k 5% 0,062W
3466	4822 051 30102	1k 5% 0,062W	3563	4822 051 30103	10k 5% 0,062W
3467	4822 051 30102	1k 5% 0,062W	3564	4822 051 30221	220R 5% 0,062W
3468	4822 051 30102	1k 5% 0,062W	3565	4822 051 30221	220R 5% 0,062W
3469	4822 051 30103	10k 5% 0,062W	3566	4822 051 30221	220R 5% 0,062W
3470	4822 051 30103	10k 5% 0,062W	3570	4822 051 20229	22R 5% 0,1W
3471	4822 051 30103	10k 5% 0,062W	3571	4822 051 20229	22R 5% 0,1W
3472	4822 051 30103	10k 5% 0,062W	3575	4822 051 30102	1k 5% 0,062W

ELECTRICAL PARTS LIST - FRONT DISPLAY BOARD

3576	4822 051 30103	10k 5% 0,062W	7403	4822 209 15449	74HC4094D
3577	4822 051 30103	10k 5% 0,062W	7405	9322 145 26668	M24C02-WMN6
3578	4822 051 30103	10k 5% 0,062W	7406	5322 130 60159	BC847B
3580	4822 051 30102	1k 5% 0,062W	7407	5322 130 60159	BC847B
3581	4822 051 30102	1k 5% 0,062W	7409	5322 130 60159	BC847B
3582	4822 051 30102	1k 5% 0,062W	7410	5322 130 60159	BC847B
3583	4822 051 30223	22k 5% 0,062W	7413	5322 130 60159	BC847B
3585	4822 051 30334	330k 5% 0,062W			
3589	4822 051 30102	1k 5% 0,062W			
3590	4822 117 13632	100k 1% 0,62W			
3591	4822 117 13632	100k 1% 0,62W			
3595	4822 051 30272	2k7 5% 0,062W			
3596	4822 051 30272	2k7 5% 0,062W			
3848	4822 051 30103	10k 5% 0,062W			
3849	4822 051 30103	10k 5% 0,062W			
3855	4822 051 30221	220R 5% 0,062W			
3856	4822 051 30271	270R 5% 0,062W			
3857	4822 051 30391	390R 5% 0,062W			
3858	4822 051 30561	560R 5% 0,062W			
4402	4822 051 30008	0R Jumper 0603			
4403	4822 051 30008	0R Jumper 0603			
4404	4822 051 30008	0R Jumper 0603			
4406	4822 051 30008	0R Jumper 0603			
4407	4822 051 30008	0R Jumper 0603			
4408	4822 051 30008	0R Jumper 0603			
4409	4822 051 30008	0R Jumper 0603			

Note : Only the parts mentioned in this list are normal service spare parts.

COILS & FILTERS

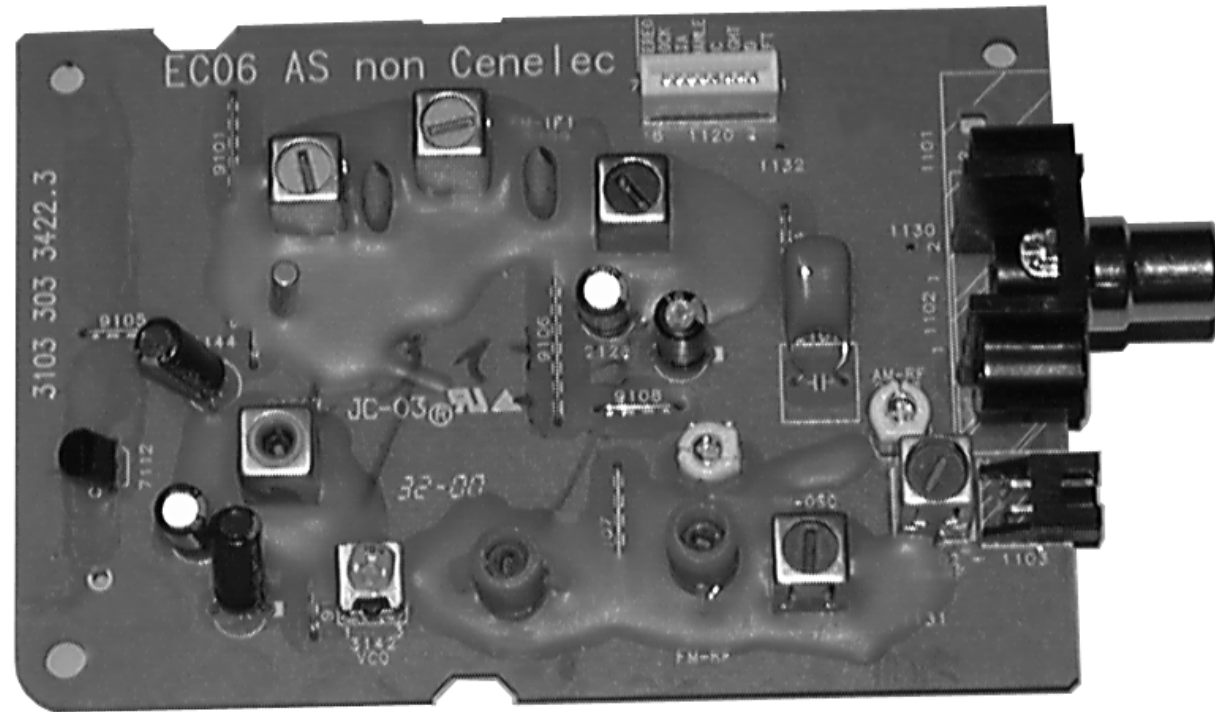
5400	4822 157 62552	Coil 2,2uH 5%
5401	4822 157 62552	Coil 2,2uH 5%
5402	5322 242 73686	RES CER 12MHz
5403	4822 242 70938	RES XTL 32,768kHz
5406	4822 157 10586	Coil 2,2uH 10%

DIODES

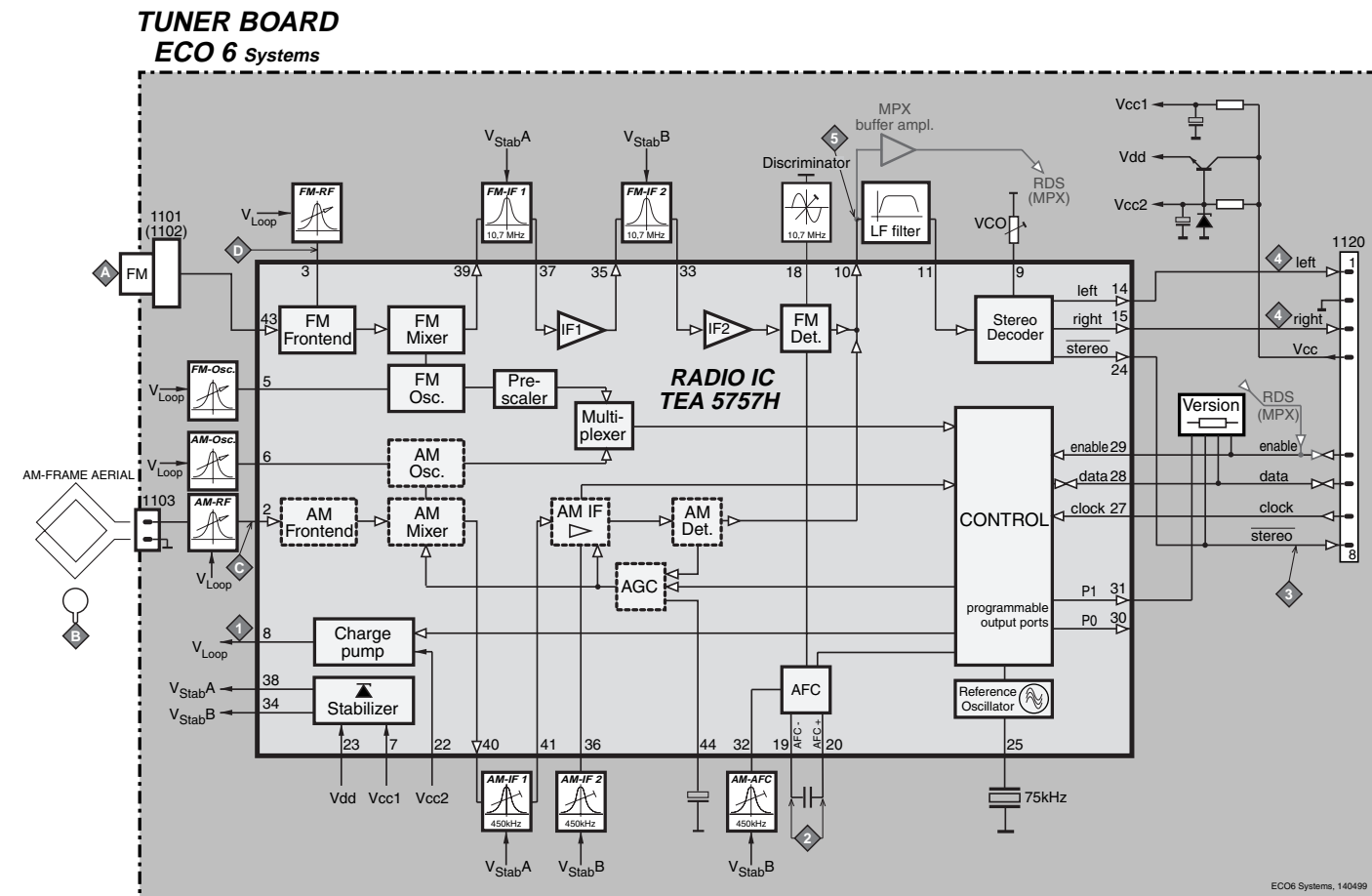
6400	4822 130 30621	1N4148
6401	4822 130 30621	1N4148
6402	4822 130 30621	1N4148
6403	4822 130 30621	1N4148
6405	4822 130 34278	BZX79-B6V8
6406	4822 130 30621	1N4148
6407	4822 130 30621	1N4148
6408	4822 130 31878	1N4003G
6409	4822 130 30621	1N4148
6410	4822 130 31878	1N4003G
6411	4822 130 31878	1N4003G
6413	4822 130 31878	1N4003G
6414	4822 130 30621	1N4148
6416	4822 130 30621	1N4148

TRANSISTORS & INTEGRATED CIRCUITS

7400	3139 110 53351	TMP88CU74YF-'C5/7S53351'
------	----------------	--------------------------



BLOCK DIAGRAM



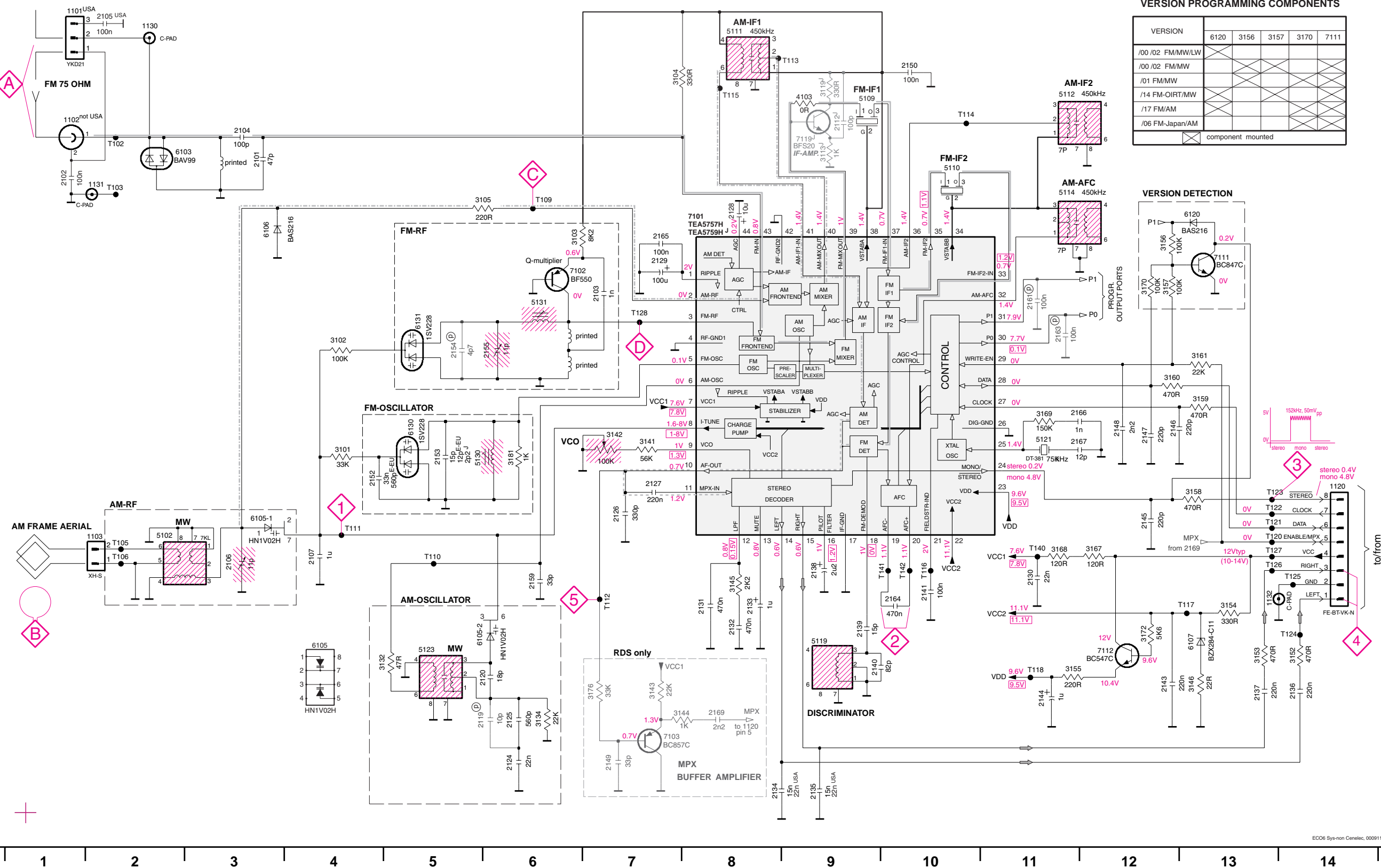
ECO6 Tuner Board

version: **SYSTEMS non-CENELEC**

TABLE OF CONTENTS

Blockdiagram7A-1
 Schematic Diagram7A-2
 Component Layout.....7A-3
 Adjustment table7A-3
 Electrical Partslist.....7A-4

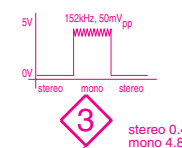
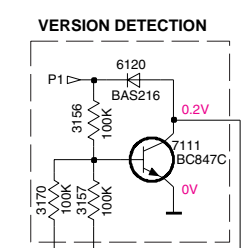
TUNER BOARD ECO6 / SYSTEMS NON CENELEC



VERSION PROGRAMMING COMPONENTS

VERSION	6120	3156	3157	3170	7111
/00 /02 FM/MW/LW					
/00 /02 FM/MW					
/01 FM/MW					
/14 FM-OIRT/MW					
/17 FM/AM					
/06 FM-Japan/AM					

component mounted



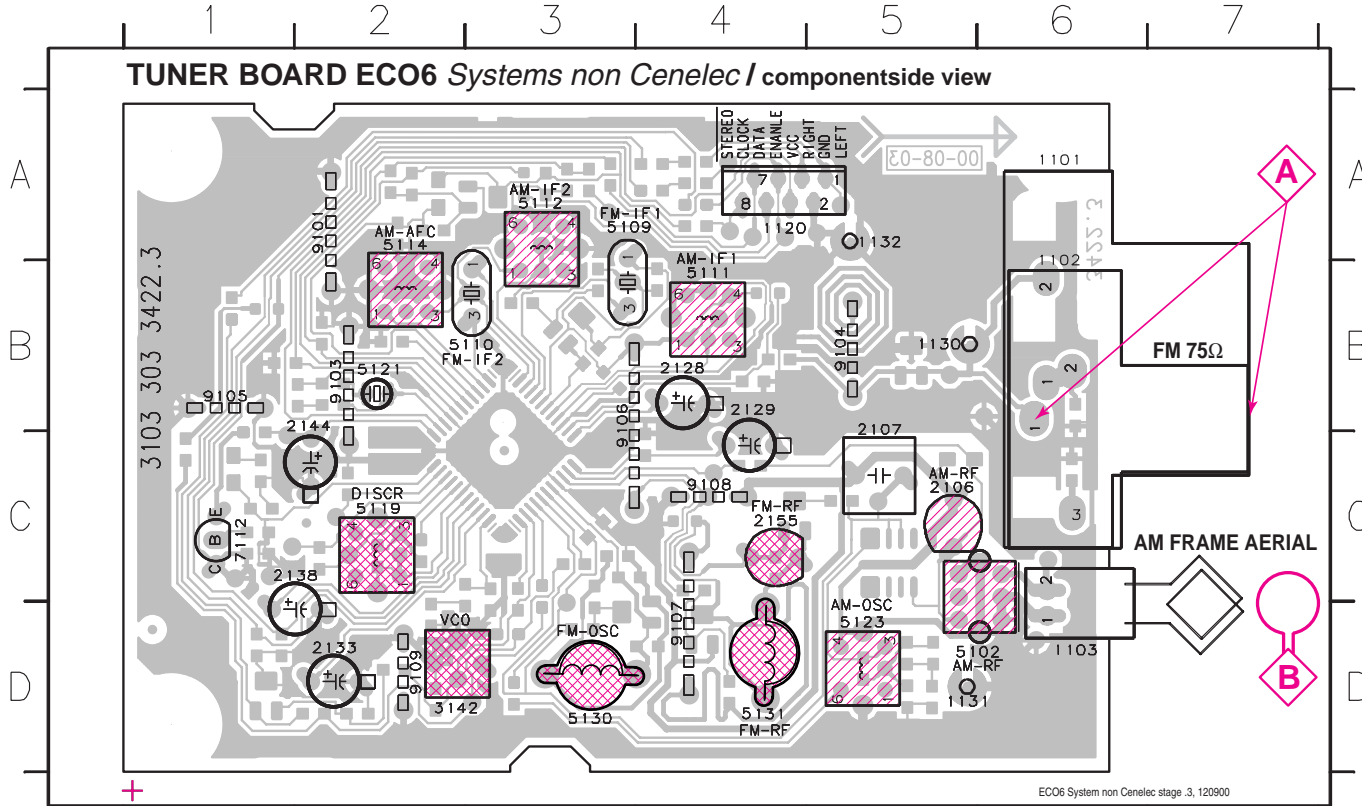
LEGEND
 (P)...for provision only
 USA ... for USA version only
 E-EU ... for East European version only
 J ... for Japanese version only

...V FM mode stereo
 ...V MW mode
 ...V LW mode
 voltages measured while set is tuned to a strong transmitter

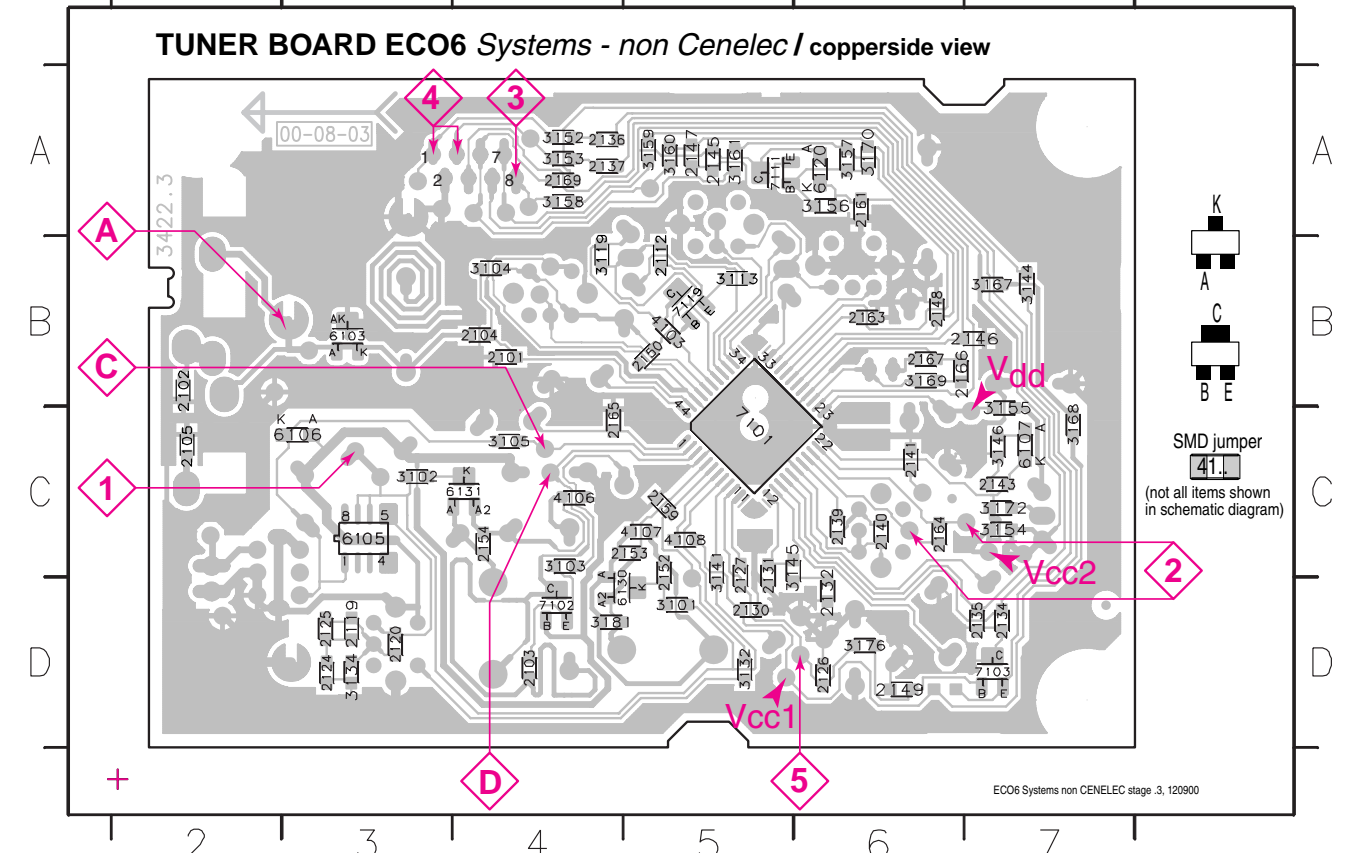
Signal path
 — FM
 - - - AM
 - · - · MPX (Audio Frequency)
 ⇨ AF - left/right

- 1101 A1
- 1102 B1
- 1103 F2
- 1120 E14
- 1130 A2
- 1131 B2
- 1132 G13
- 1133 B3
- 2102 B1
- 2103 C7
- 2104 B3
- 2105 A2
- 2106 F3
- 2107 F4
- 2119 H6
- 2120 G6
- 2124 H6
- 2125 H6
- 2126 F7
- 2127 E7
- 2128 C8
- 2129 C7
- 2130 F11
- 2131 G8
- 2132 G8
- 2133 G8
- 2134 H8
- 2135 H9
- 2136 G14
- 2137 G13
- 2138 F9
- 2139 G9
- 2140 G9
- 2141 F10
- 2143 G12
- 2144 G11
- 2145 F12
- 2146 E12
- 2147 E12
- 2148 H7
- 2149 H7
- 2150 A10
- 2152 E4
- 2153 E5
- 2154 D5
- 2155 D5
- 2159 F6
- 2161 C11
- 2163 D11
- 2164 F10
- 2165 C7
- 2166 E11
- 2167 E11
- 2169 H8
- 3101 E4
- 3102 D4
- 3103 C6
- 3104 A7
- 3105 B6
- 3125 G5
- 3134 H6
- 3141 E7
- 3142 E7
- 3143 G7
- 3144 H7
- 3145 F8
- 3146 G13
- 3152 G14
- 3153 G13
- 3154 G13
- 3155 G11
- 3156 C12
- 3157 D12
- 3158 E13
- 3159 D13
- 3160 D13
- 3161 D13
- 3167 F12
- 3168 F11
- 3169 E11
- 3170 C12
- 3172 G12
- 3176 G7
- 3181 E6
- 5102 F2
- 5109 B9
- 5110 B10
- 5111 A8
- 5112 A11
- 5114 B11
- 5119 G9
- 5121 E11
- 5123 G5
- 5130 E5
- 5131 C6
- 5132 B2
- 6105-1 F3
- 6105-2 G5
- 6106 C3
- 6107 G13
- 6120 C13
- 6130 E5
- 6131 D5
- 7101 C8
- 7102 C6
- 7103 H7
- 7111 C13
- 7112 F13
- 7113 G12
- T102 B2
- T103 B2
- T105 F2
- T106 F2
- T109 B6
- T110 F5
- T111 F4
- T112 F7
- T113 A8
- T114 B10
- T115 A8
- T116 B10
- T117 G13
- T118 G11
- T119 F13
- T120 F13
- T121 F13
- T122 F13
- T123 F13
- T124 F13
- T125 F13
- T126 F13
- T127 F13
- T128 D7
- T140 F11
- T141 F10
- T142 F10

1101 A6 1120 A4 1132 A5 2128 C4 2138 C2 3142 D2 5110 B3 5114 A2 5123 D5 7112 C1 9104 B5 9107 D4
 1102 B6 1130 B5 2106 C5 2129 B4 2144 B2 5102 D6 5111 B4 5119 C2 5130 D3 9101 A2 9105 B1 9108 C4
 1103 D6 1131 D5 2107 B5 2133 D2 2155 C4 5109 A3 5112 A3 5121 B2 5131 D4 9103 B2 9106 B3 9109 D2



2101 B4 2119 D3 2130 D5 2137 A4 2146 B7 2153 C5 2165 C4 3103 C4 3134 D3 3152 A4 3158 A4 3169 B6 4106 C4 6107 C7 7103 D7
 2102 B1 2120 D3 2131 C5 2139 C6 2147 A5 2154 C4 2166 B6 3104 B4 3141 C5 3153 A4 3159 A5 3170 A6 4107 C5 6120 A6 7111 A5
 2103 D4 2124 D3 2132 D6 2140 C6 2148 B6 2159 C5 2167 B6 3105 C4 3143 D6 3154 C7 3160 A5 3172 C7 4108 C5 6130 D4 7119 B5
 2104 B4 2125 D3 2134 D7 2141 C6 2149 D6 2161 A6 2169 A4 3113 B5 3144 B7 3155 C7 3161 A5 3176 D6 6103 B3 6131 C4
 2105 C1 2126 D6 2135 D7 2143 C7 2150 B5 2163 B6 3101 D5 3119 B5 3145 C5 3156 A6 3167 B7 3181 D4 6105 C3 7101 C5
 2112 B5 2127 C5 2136 A4 2145 A5 2152 C5 3102 C3 3132 D5 3146 C7 3157 A6 3168 C7 4103 B5 6106 C3 7102 D4



These assembly drawings show a summary of all possible versions.
 For components used in a specific version see schematic diagram respectively partlist.

TUNER ADJUSTMENT TABLE (ECO6 FM/MW- and FM/MW/LW - versions with AM-frame aerial)

Waverange	Input frequency	Input	Tuned to	Adjust	Output	Scope/Voltmeter
VARICAP ALIGNMENT						
FM 87.5 - 108MHz (65.81 - 74, 87.5 - 108MHz)			108MHz	5130		8V ±0.2V
			87.5MHz (65.81MHz)	check		4.3V ±0.5V (1.2V ±0.5V)
MW FM/AM-version, 10kHz grid 530 - 1700kHz			1700kHz	5123		8V ±0.2V
			530kHz	check		1.1V ±0.4V
FM/MW-version, 9kHz grid 531 - 1602kHz			1602kHz	5123	1	6.9V ±0.2V
			531kHz	check		1.1V ±0.4V
LW 153 - 279kHz			279kHz	5122		8V ±0.2V
			153kHz	check		1.1V ±0.4V
MW FM/MW/LW- version, 9kHz grid 531 - 1602kHz			1602kHz	5123		8V ±0.2V
			531kHz	check		1.1V ±0.4V
FM IF						
FM	10.7MHz, 45mV continuous wave	D		5119	2	0 ± 3 mV DC
FM RF						
FM 87.5 - 108MHz (65.81 - 74, 87.5 - 108MHz)	108MHz	A	108MHz	2155	4	MAX
	87.5MHz (65.81MHz)	mod=1kHz Δf=±22.5kHz	87.5MHz (65.81MHz)	5131		
VCO						
FM	98MHz, 1mV continuous wave	A	98MHz	3142	3	152kHz ±1kHz ¹⁾
AM IF						
MW	450kHz connect pin 6 of IC 7101 (AM Osc.) with 3.3kΩ to Vcc	C		5111	5	
		C		5112		
AM AFC		C		5114	2	0 ± 2 mV DC
AM RF³⁾						
MW⁴⁾ FM/MW/LW- and FM/MW-version (9kHz grid)	1494kHz	B	1494kHz	2106	5	
	531 - 1602kHz		558kHz	5102		
LW	198kHz		198kHz	5103		
MW FM/AM-version, 10kHz grid 530 - 1700kHz	1500kHz	B	1500kHz	2106	5	
	560kHz		560kHz	5102		

Use Service Testprogram. By selecting the TUNER TEST test frequencies will be stored as preset frequencies automatically.

- 1) If sensitivity of frequency counter is too low adjust to max. channel separation (input signal: stereo left 90% + 9%, adjust output on right channel to minimum)
- 2) RC network serves for damping the IF-filter while adjusting the other one.
- 3) For AM RF adjustments the original frame antenna has to be used!
- 4) MW has to be aligned before LW.

↑ Repeat

MISCELLANEOUS

1101	2422 015 19376	SOCKET 2P CLICKFIT	USA only
1102	4822 267 10283	SOCKET COAX, IEC 75Ω	not USA
1103	4822 265 31184	JST CONNECTOR 2 POLE	
1120	4822 265 11515	FFC SOCKET, 8P	

CAPACITORS

2101	4822 126 13692	47pF	1%	63V	
2102	4822 126 13838	100nF	10%	50V	not USA
2103	5322 122 31647	1nF	10%	63V	
2104	5322 122 32531	100pF	5%	50V	
2105	4822 126 13838	100nF	10%	50V	USA only

2106	2020 800 00191	3-11pF TRIMCAP.,N450			
2107	4822 121 51319	1μF	20%	50V	
2120	4822 126 13689	18pF	1%	63V	
2124	5322 122 32654	22nF	10%	63V	
2125	2020 552 96199	560pF	1%	50V	

2126	5322 122 31863	330pF	5%	50V	
2127	4822 126 14076	220nF	20%	25V	
2128	4822 124 40248	10μF	20%	63V	
2129	4822 124 41584	100μF	20%	10V	
2130	5322 122 32654	22nF	10%	63V	

2131	4822 126 13482	470nF	20%	16V	
2132	4822 126 13482	470nF	20%	16V	
2133	4822 124 21913	1μF	20%	63V	
2134	4822 126 13188	15nF	5%	63V	not USA
2134	5322 122 32654	22nF	10%	63V	USA only

2135	4822 126 13188	15nF	5%	63V	not USA
2135	5322 122 32654	22nF	10%	63V	USA only
2136	4822 126 14076	220nF	20%	25V	
2137	4822 126 14076	220nF	20%	25V	
2138	4822 124 22652	2,2μF	20%	50V	

RESISTORS

3101	4822 051 20333	33kΩ	5%	0,1W	
3102	4822 117 10837	100kΩ	1%	0,1W	
3103	4822 051 20822	8,2kΩ	5%	0,1W	
3104	4822 117 13577	330Ω	1%	0,1W	
3105	4822 117 11503	220Ω	5%	0,1W	

RESISTORS

3143	4822 051 20223	22kΩ	5%	0,1W	RDS only
3144	4822 051 10102	1kΩ	2%	0,25W	RDS only
3145	4822 117 11449	2,2kΩ	1%	0,1W	
3146	4822 051 20229	22Ω	5%	0,1W	
3152	4822 051 20471	470Ω	5%	0,1W	

3153	4822 051 20471	470Ω	5%	0,1W	
3154	4822 117 13577	330Ω	1%	0,1W	
3155	4822 117 11503	220Ω	5%	0,1W	
3156	4822 117 10837	100kΩ	1%	0,1W	
3157	4822 117 10837	100kΩ	1%	0,1W	

3158	4822 051 20471	470Ω	5%	0,1W	
3159	4822 051 20471	470Ω	5%	0,1W	
3160	4822 051 20471	470Ω	5%	0,1W	
3161	4822 051 20223	22kΩ	5%	0,1W	
3167	4822 051 20121	120Ω	5%	0,1W	

3168	4822 051 20121	120Ω	5%	0,1W	
3169	4822 051 20154	150kΩ	5%	0,1W	
3170	4822 117 10837	100kΩ	1%	0,1W	
3172	4822 051 20562	5,6kΩ	5%	0,1W	
3176	4822 051 20333	33kΩ	5%	0,1W	RDS only

COILS

5102	4822 157 71634	RF-COIL MW	
5109	4822 242 70665	FM-IF FILTER 10,7MHz	
5110	4822 242 70665	FM-IF FILTER 10,7MHz	
5111	2422 549 44023	AM-IF FILTER 450kHz	
5112	4822 157 70302	AM-IF FILTER 450kHz	

5114	4822 157 70302	AM-IF FILTER 450kHz	
5119	4822 157 11443	DISCRIMINATOR COIL	
5121	4822 242 10261	QUARTZ 75kHz	
5123	2422 549 44108	RF-COIL, AM-OSCILLATOR	
5130	4822 157 11843	RF COIL 1,5 TURNS	

5131	4822 157 11843	RF COIL 1,5 TURNS	
------	----------------	-------------------	--

DIODES

6103	5322 130 34337	BAV99	
6105	4822 130 83075	HN1V02H	
6106	4822 130 83757	BAS216	
6107	9340 386 90115	BZX284-C11	
6120	4822 130 83757	BAS216	

6130	4822 130 82833	1SV228	
6131	4822 130 82833	1SV228	

TRANSISTORS

7102	4822 130 42131	BF550	
7103	5322 130 42756	BC857C	RDS only
7111	5322 130 42755	BC847C	
7112	4822 130 44503	BC547C	

INTEGRATED CIRCUITS

7101	9351 740 80557	TEA5757H/V1, RADIO IC	
------	----------------	-----------------------	--

BRIEF INTRODUCTION OF THE AF11 BOARD

AF11 BOARD

TABLE OF CONTENTS

Brief Introduction of the AF11 Board	8-1
AF11 Board - Component Layout	8-2
AF11 Board - Component & Chip Layout (Mapping)	8-3
AF11 Board - Chip Layout	8-4
AF11 Board - Circuit Diagram (Part 1)	8-5
AF11 Board - Circuit Diagram (Part 2)	8-6
AF11 Board - Circuit Diagram (Part 3)	8-7
Video Out Cinch part - Layout & Circuit diagram	8-8
Electrical parts list.....	8-8

The AF11 Board consists of the following features :

a. TDA7468D IC

TDA7468D IC (7501) which includes functions such as source selection, loudness control, dynamic bass control, treble control, volume control and muting function. Sound features such as ALC, DBB, DSC and IS are controllable via I²C Bus from the microprocessor.

The TDA7468D IC caters for 4 input sources namely TUNER, PC LINK, CD and AUX. It also has a Mic mix input. In our application, software will switch the input source to previous source MUTE during STANDBY mode and some other occasions where noise from other input sources is undesirable.

Note that the input to the TDA7468D IC must be ac coupled to prevent 'pop' noise. Input networks are included to provide appropriate attenuation for various sources.

b. SIMPLE MIC MIXING

The AF11 Board has provisions which can be configured to cater for one of the following:

MM : which caters for Mic mixing with additional Mic amplifier board.

NM : non Mic mixing.

c. LINE OUT

Line out cinch socket for connection to external amplifier.

d. SUBWOOFER OUT

Subwoofer out cinch socket for connection to active sub-woofer speaker.

e. INCREDIBLE SURROUND

Incredible surround effect using transistor circuit to create phase shifting and spatial effect.

f. HEADPHONE AMPLIFIER

Headphone amplifier to drive 32 ohm to 1kohm headphone.

g. CD STANDBY CONTROL

CD Standby Control circuit which switches on the supply to CD servo control IC, digital out buffer IC, HF circuit and the laser light pen in CD mode only.

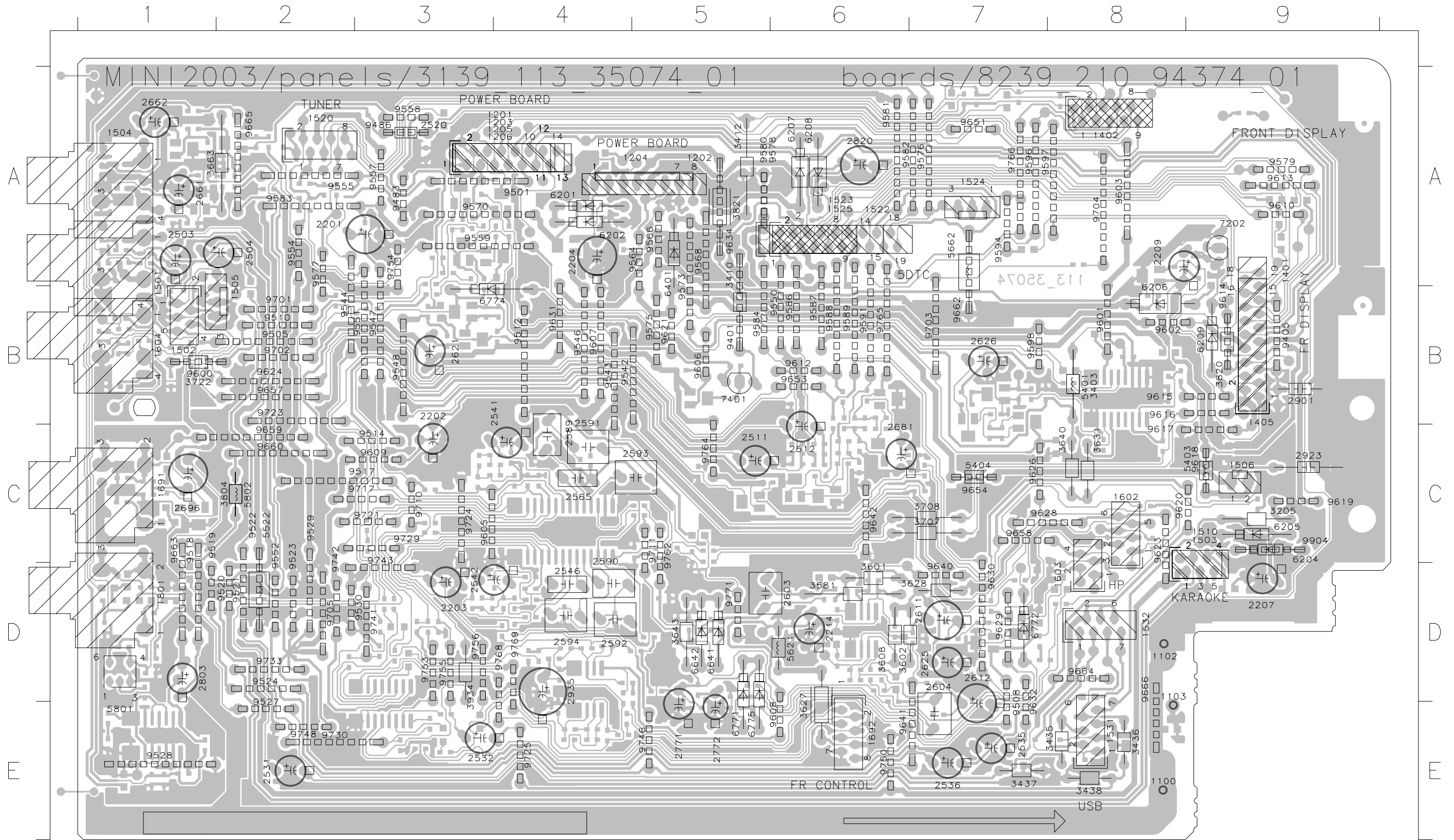
h. ATTENUATION NETWORK

Attenuation network is provided at the output of the AF11 Board for interfacing with power board of different output power.

i. CD DIGITAL OUT

CD Digital out cinch socket for connection to external digital audio decoders.

AF11 BOARD - COMPONENT LAYOUT



This assembly drawing shows a summary of all possible versions. For components used in a specific version see schematic diagram and respective parts list.

3139 113 3507 pt4 dd wk0310

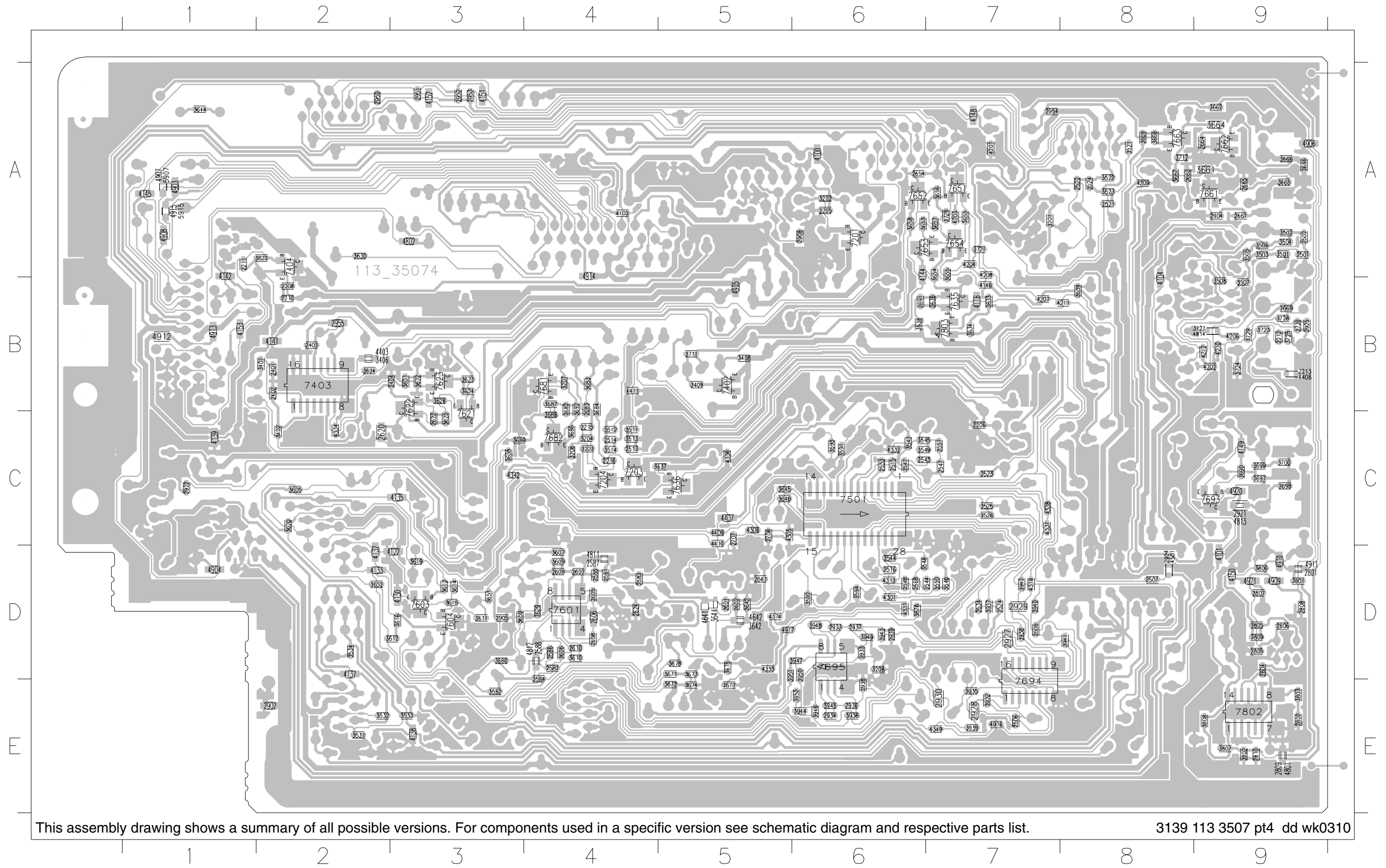
AF11 BOARD - COMPONENT LAYOUT (MAPPING)

1100	E8	1504	A1	1692	E6	2532	E3	2611	D7	2935	D4	3631	C8	5621	D6	6771	E5	9514	C3	9544	B2	9570	A3	9589	B6	9610	A9	9629	D7	9662	B7	9724	C3	9762	C5
1102	D8	1505	B2	1801	D1	2535	E7	2612	D7	3205	C9	3640	C8	5662	A7	6772	D7	9517	C3	9546	B4	9573	B5	9591	B6	9612	B6	9630	D7	9663	C1	9725	E4	9764	C5
1103	D8	1506	C9	2201	A2	2536	E7	2621	B3	3403	B8	3643	D5	5801	E1	6774	B3	9518	C1	9547	B3	9575	B5	9594	A7	9613	A9	9631	B4	9664	D8	9729	C3	9765	B6
1201	A4	1510	C9	2202	B3	2541	B4	2625	D7	3410	A5	3663	A1	5802	C2	6775	E5	9519	C1	9548	B3	9576	A7	9596	A7	9614	B9	9632	E7	9665	A2	9730	E2	9766	A7
1202	A5	1520	A2	2203	D3	2542	D3	2626	B7	3412	A5	3707	C7	6201	A4	7202	A9	9520	D2	9550	B6	9577	A2	9597	A7	9615	B8	9634	A5	9666	D8	9733	D2	9768	D4
1203	A4	1522	A6	2204	A4	2546	D4	2661	A1	3435	E8	3708	C7	6202	A4	7401	B5	9521	D2	9551	B3	9578	A6	9598	B7	9616	B8	9640	D7	9701	B2	9741	D3	9769	D4
1204	A5	1523	A6	2207	D9	2565	C4	2662	A1	3436	E8	3722	B1	6204	C9	9401	B5	9522	C2	9552	C2	9579	A9	9600	B1	9617	C8	9641	E6	9702	B2	9742	C2	9771	D5
1205	A4	1524	A7	2209	A8	2589	C4	2681	C6	3437	E7	3804	C2	6205	C9	9405	B9	9523	C2	9554	A2	9580	A5	9601	B8	9618	C9	9642	C6	9703	B7	9743	C3	9904	C9
1206	A4	1525	A6	2214	D6	2590	C4	2696	C1	3438	E8	3820	B9	6206	B8	9483	A3	9524	D2	9555	A2	9581	A6	9602	B8	9619	C9	9651	A7	9704	A8	9746	E5		
1401	A9	1531	E8	2503	A1	2591	B4	2771	E5	3581	D6	3821	A5	6207	A6	9486	A3	9527	E2	9557	A3	9582	A6	9603	A8	9620	C8	9653	B6	9705	D2	9748	E2		
1402	A8	1532	D8	2504	A2	2592	D4	2772	E5	3601	D6	3934	D3	6208	A6	9501	A4	9528	E1	9558	A3	9583	A2	9605	C3	9621	B5	9654	C7	9710	C3	9750	E6		
1405	B9	1602	C8	2511	C5	2593	C5	2803	D1	3602	D6	5401	B8	6209	B9	9505	B2	9529	C2	9559	A3	9584	B5	9606	B5	9623	C8	9657	B2	9711	C5	9753	D3		
1501	A1	1603	D8	2512	C6	2594	D4	2820	A6	3608	D6	5403	C9	6401	A5	9508	E7	9530	D3	9564	A5	9586	B6	9607	B4	9624	B2	9658	C7	9717	C3	9754	A3		
1502	B1	1604	B1	2520	A3	2603	D6	2901	B9	3627	E6	5404	C7	6641	D5	9510	B2	9542	B4	9566	A5	9587	B6	9608	E6	9626	C7	9659	C2	9721	C3	9755	D3		
1503	C9	1691	C1	2531	E2	2604	D7	2923	C9	3628	D7	5522	C2	6642	D5	9512	B4	9543	B4	9568	A5	9588	B6	9609	C3	9628	C7	9660	C2	9723	B2	9756	D3		

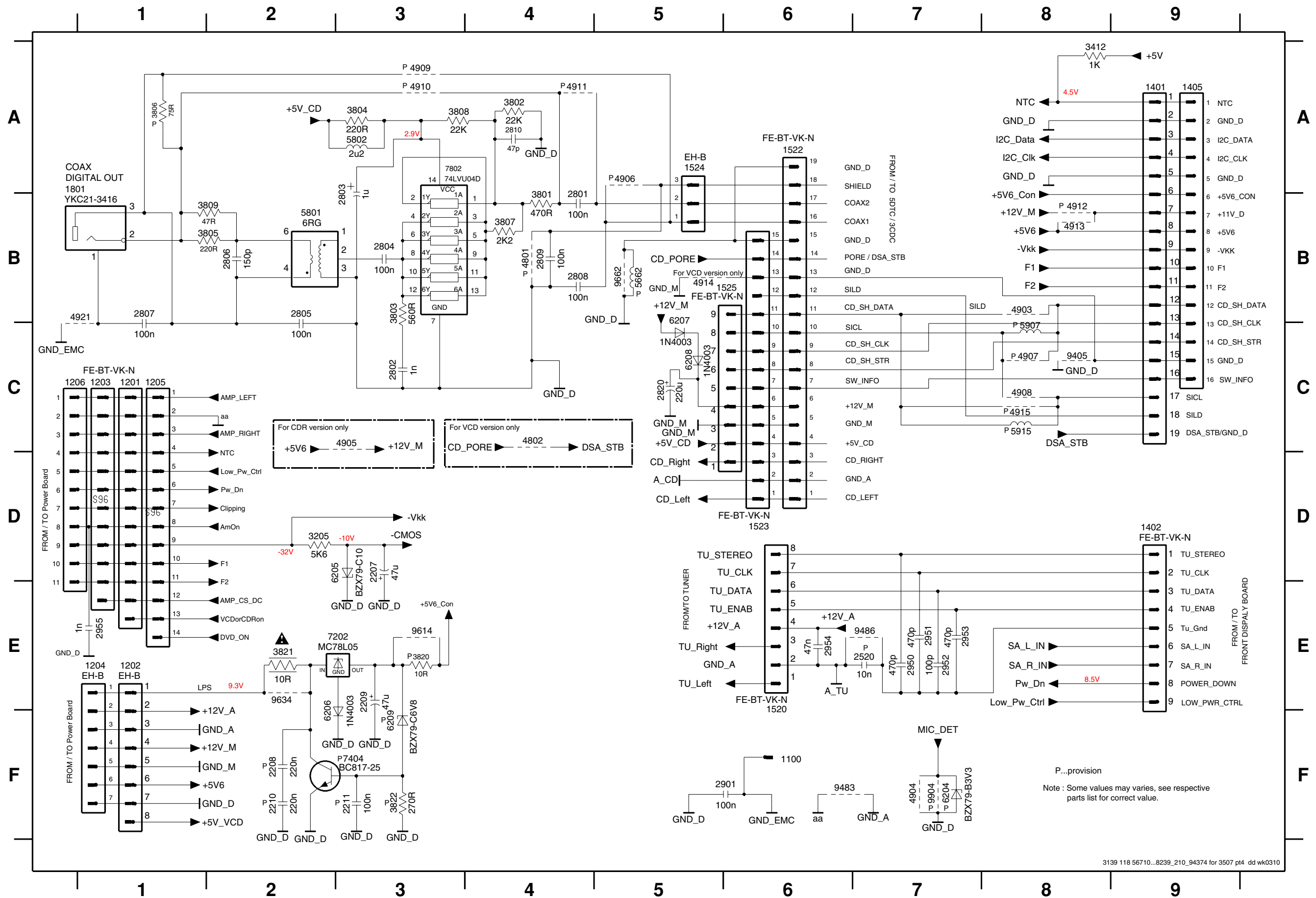
AF11 BOARD - CHIP LAYOUT (MAPPING)

2205	A6	2516	D6	2601	D5	2682	B4	2922	C1	3203	C4	3514	C4	3592	D6	3626	B3	3657	A7	3684	B4	3801	D9	3945	E6	4141	B2	4212	B9	4411	B4	4914	A4	7635	B7
2206	C7	2521	A8	2602	D5	2683	B4	2924	D8	3204	C4	3521	A8	3593	C6	3629	D4	3658	A6	3686	C4	3802	E9	3946	E6	4142	A1	4301	D6	4501	D8	4915	A1	7636	C5
2208	B2	2522	A8	2605	D4	2691	B6	2925	B9	3206	C4	3522	A8	3594	D6	3630	A2	3659	D3	3687	B4	3803	E9	3947	D6	4144	A6	4305	C5	4641	D5	4916	E7	7651	A7
2210	B2	2523	C7	2606	D4	2697	C9	2927	D7	3207	B4	3523	A8	3605	C2	3633	B7	3660	D3	3688	C4	3805	D9	3948	D6	4145	A1	4306	C5	4642	D5	4917	D5	7652	A6
2211	A1	2524	D7	2607	D4	2698	C9	2928	E7	3208	D6	3524	A8	3606	D4	3634	B7	3661	A9	3689	C3	3806	D9	3949	D6	4146	B7	4313	D6	4801	E9	4920	C9	7653	A6
2212	B9	2533	C6	2608	D4	2707	C5	2929	D7	3401	B2	3525	C7	3607	D4	3635	C3	3662	A9	3690	C9	3807	E9	3950	D6	4148	A7	4319	D7	4802	A3	4921	D9	7654	A7
2213	B9	2534	D7	2609	D4	2708	C5	2930	E7	3402	C2	3526	C7	3609	D4	3636	B7	3664	A9	3692	B4	3808	E9	3951	D5	4149	C9	4331	D6	4811	D4	5907	A1	7661	A9
2215	C4	2543	C6	2610	D4	2801	D9	2933	D6	3406	B2	3531	E2	3610	D4	3637	C5	3665	A9	3694	B2	3809	D9	3952	E6	4150	D9	4332	C6	4812	D4	5915	A1	7662	A9
2216	C4	2544	D7	2620	C2	2802	E9	2934	E6	3408	B5	3532	E2	3611	D3	3638	B6	3666	A9	3699	C9	3822	A2	4100	A6	4151	A3	4333	D5	4813	C9	7201	A6	7663	A8
2401	B2	2547	C7	2622	C3	2804	D9	2936	E6	3409	B5	3533	E3	3612	D3	3639	B8	3667	A8	3700	C9	3932	E7	4101	D9	4152	A3	4334	C2	4814	B9	7203	C4	7681	B4
2402	B2	2548	D6	2624	D4	2805	D9	2937	D6	3501	A9	3534	D2	3613	D3	3641	D5	3668	A8	3711	B5	3933	D6	4102	A4	4153	B1	4336	C5	4903	A1	7204	C4	7682	C4
2403	B2	2567	C7	2641	D5	2806	D9	2938	E6	3502	A9	3543	C6	3614	D3	3642	D5	3669	A8	3712	A8	3935	E7	4104	B8	4201	A7	4337	C7	4904	D1	7402	B5	7693	C9
2404	B3	2568	D6	2642	D5	2807	D9	2939	D6	3503	A9	3544	D6	3615	D3	3644	A1	3671	D5	3721	A7	3936	E6	4116	B7	4202	B9	4338	C7	4905	B5	7403	B2	7694	E7
2501	A9	2581	D4	2653	A7	2808	D9	2950	A2	3504	A9	3545	C6	3616	D3	3645	C5	3672	E5	3723	B9	3937	D7	4122	D3	4203	A7	4342	C3	4906	A9	7404	A2	7695	D6
2502	A9	2582	D4	2654	A6	2809	E9	2951	A3	3505	A9	3546	D7	3619	D3	3646	C5	3673	D5	3724	B9	3938	D7	4130	D3	4204	A7	4349	E7	4907	A1	7501	C6	7802	E9
2505	D7	2583	D4	2663	A8	2810	E9	2952	A3	3506	A9	3547	C6	3620	C2	3651	D3	3674	E5	3725	B9	3939	E7	4132	D2	4206	B9	4374	D5	4908	A1	7601	D4	7803	B7
2506	E7	2584	D4	2664	A9	2902	E2	2953	A3	3507	B9	3548	D6	3621	B3	3652	D2	3675	D5	3726	A7	3940	D7	4133	D2	4207	B7	4403	B2	4909	D9	7603	D3		
2507	D8	2585	D4	2665	A9	2904	A9	2954	A7	3508	B9	3549	C6	3622	B3	3653	A6	3676	D6	3727	B9	3941	D8	4135	C3	4208	A7	4407	C5	4910	D9	7604	D3		
2513	C4	2586	D4	2666	A9	2905	D3	2955	B2	3511	C4	3550	D7	3623	B3	3654	A7	3677	E5	3728	B9	3942	D7	4137	D2	4209	A8	4408	B9	4911	D9	7621	C3		
2514	C4	2587	D4	2667	A9	2908	A6	3201	A7	3512	C4	3582	E3	3624	B3	3655	A7	3678	D5	3729	B9	3943	D6	4138	E3	4210	B9	4409	C5	4912	B1	7622	B3		
2515	C6	2588	D4	2669	B9	2921	C9	3202	A6	3513	C4	3591	C6	3625	C3	3656	A7	3683	B4	3730	B9	3944	E6	4139	C1	4211	B8	4410	C5	4913	B1	7623	B3		

AF11 BOARD - CHIP LAYOUT

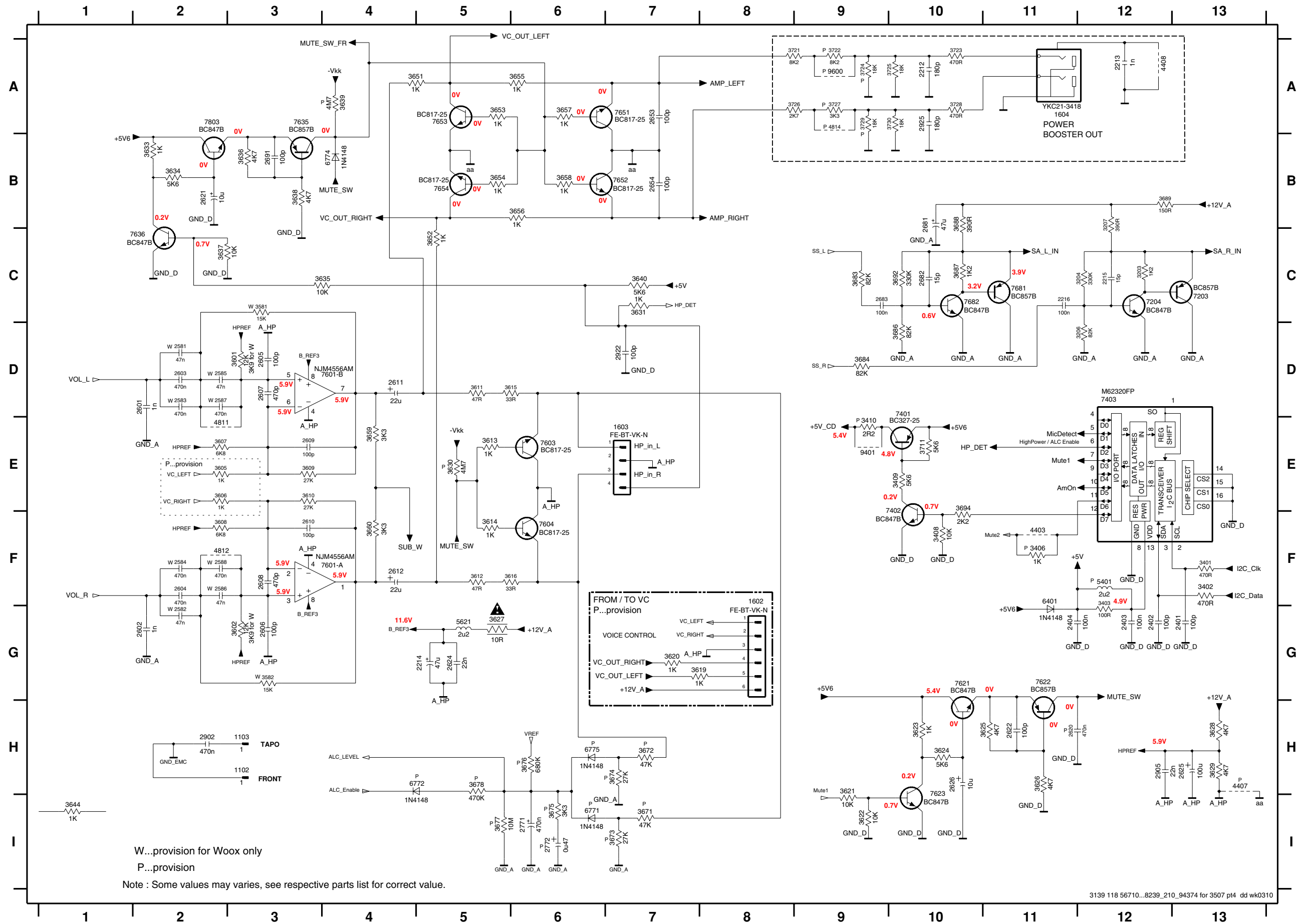


AF11 BOARD - CIRCUIT DIAGRAM (PART 2)



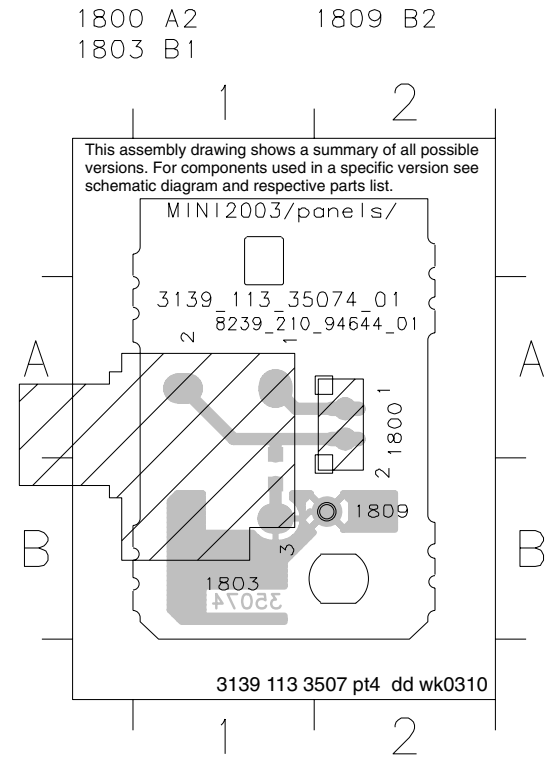
- 1100 F6
- 1201 C1
- 1202 E1
- 1203 C1
- 1204 E1
- 1205 C1
- 1401 A9
- 1402 D9
- 1405 A9
- 1520 E6
- 1522 A6
- 1523 D6
- 1524 A5
- 1525 B5
- 1801 A1
- 2207 D3
- 2208 F2
- 2209 E3
- 2210 F2
- 2211 F3
- 2520 E7
- 2801 B4
- 2802 C3
- 2803 B3
- 2804 B3
- 2805 B2
- 2806 B2
- 2807 B1
- 2808 B4
- 2809 B4
- 2810 A4
- 2820 C5
- 2901 F6
- 2950 E7
- 2951 E7
- 2952 E7
- 2953 E7
- 2954 E6
- 2955 E1
- 3205 D2
- 3412 A8
- 3801 B4
- 3802 A4
- 3803 B3
- 3804 A3
- 3805 B2
- 3806 A1
- 3807 B4
- 3808 A3
- 3809 B2
- 3820 E3
- 3821 E2
- 3822 F3
- 4801 B4
- 4802 C4
- 4903 B8
- 4904 F7
- 4905 C3
- 4906 A5
- 4907 C8
- 4908 C8
- 4909 A3
- 4910 A3
- 4911 A4
- 4912 B8
- 4913 B8
- 4914 B5
- 4915 C8
- 4921 B1
- 5662 B5
- 5801 B2
- 5802 A3
- 5907 C8
- 5915 C8
- 6204 F7
- 6205 D3
- 6206 F2
- 6207 B5
- 6208 C5
- 6209 F3
- 7202 E3
- 7404 F3
- 7802 A3
- 9405 C8
- 9483 F6
- 9486 E7
- 9614 E3
- 9634 E2
- 9662 B5
- 9904 F7

AF11 BOARD - CIRCUIT DIAGRAM (PART 3)

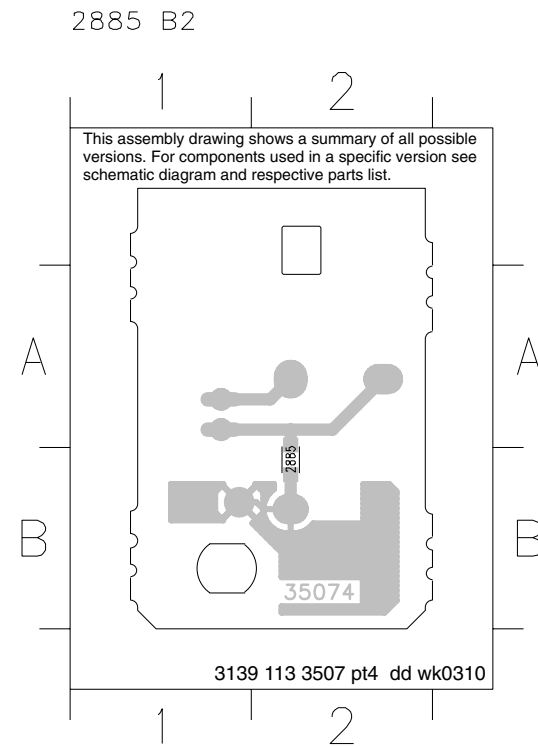


- 1102 H3
- 1103 H3
- 1602 F8
- 1603 E7
- 1604 A11
- 2212 A10
- 2213 A12
- 2214 G5
- 2215 C12
- 2216 C11
- 2401 G13
- 2402 G12
- 2403 G12
- 2404 G11
- 2581 D2
- 2582 G2
- 2583 D2
- 2584 F2
- 2585 D2
- 2586 F2
- 2587 D2
- 2588 F2
- 2601 D2
- 2602 G2
- 2603 D2
- 2604 F2
- 2605 D3
- 2606 G3
- 2607 D3
- 2608 F3
- 2609 E3
- 2610 F3
- 2611 D4
- 2612 F4
- 2620 H11
- 2621 B2
- 2622 H11
- 2624 G5
- 2625 H13
- 2626 H10
- 2653 A7
- 2654 B7
- 2681 B10
- 2682 C10
- 2683 C9
- 2691 B3
- 2771 I6
- 2772 I6
- 2902 H2
- 2905 H12
- 2922 D7
- 2925 A10
- 3203 C12
- 3204 C12
- 3206 D12
- 3207 B12
- 3401 F13
- 3402 F13
- 3403 F12
- 3406 F11
- 3408 F10
- 3409 E10
- 3410 E9
- 3581 C3
- 3582 G3
- 3601 D3
- 3602 G3
- 3605 E2
- 3606 E2
- 3607 E2
- 3608 F2
- 3609 E3
- 3610 E3
- 3611 D5
- 3612 F5
- 3613 E5
- 3614 F5
- 3615 D5
- 3616 F5
- 3619 G7
- 3620 G7
- 3621 H9
- 3622 I9
- 3623 H10
- 3624 H10
- 3625 H11
- 3626 H11
- 3627 G5
- 3628 H13
- 3629 H13
- 3630 E5
- 3631 C7
- 3633 B2
- 3634 B2
- 3635 C4
- 3636 B3
- 3637 C2
- 3638 B3
- 3639 A4
- 3640 C7
- 3644 I1
- 3651 A4
- 3652 C5
- 3653 A5
- 3654 B5
- 3655 A6
- 3656 B6
- 3657 A6
- 3658 B6
- 3659 E4
- 3660 F4
- 3671 I7
- 3672 H7
- 3673 I7
- 3674 H7
- 3675 I6
- 3676 I6
- 3677 I5
- 3678 H5
- 3683 C9
- 3684 D9
- 3686 D10
- 3687 C10
- 3688 B10
- 3689 B12
- 3692 C10
- 3694 E10
- 3711 E10
- 3721 A8
- 3722 A9
- 3723 A10
- 3724 A9
- 3725 A10
- 3726 A8
- 3727 A9
- 3728 A9
- 3729 A9
- 3730 A10
- 4403 F11
- 4407 H13
- 4408 A12
- 4811 E2
- 4812 F2
- 4814 A9
- 5401 F12
- 5621 G5
- 6401 F11
- 6771 I6
- 6772 H5
- 6774 B4
- 6775 H6
- 7203 C13
- 7204 C12
- 7401 D10
- 7402 F10
- 7403 D12
- 7601-A F3
- 7601-B D3
- 7603 E6
- 7604 F6
- 7621 G10
- 7622 G11
- 7623 H10
- 7635 A3
- 7636 C2
- 7651 A7
- 7652 B7
- 7653 A5
- 7654 B5
- 7681 C11
- 7682 C10
- 7803 A2
- 9401 E9
- 9600 A9

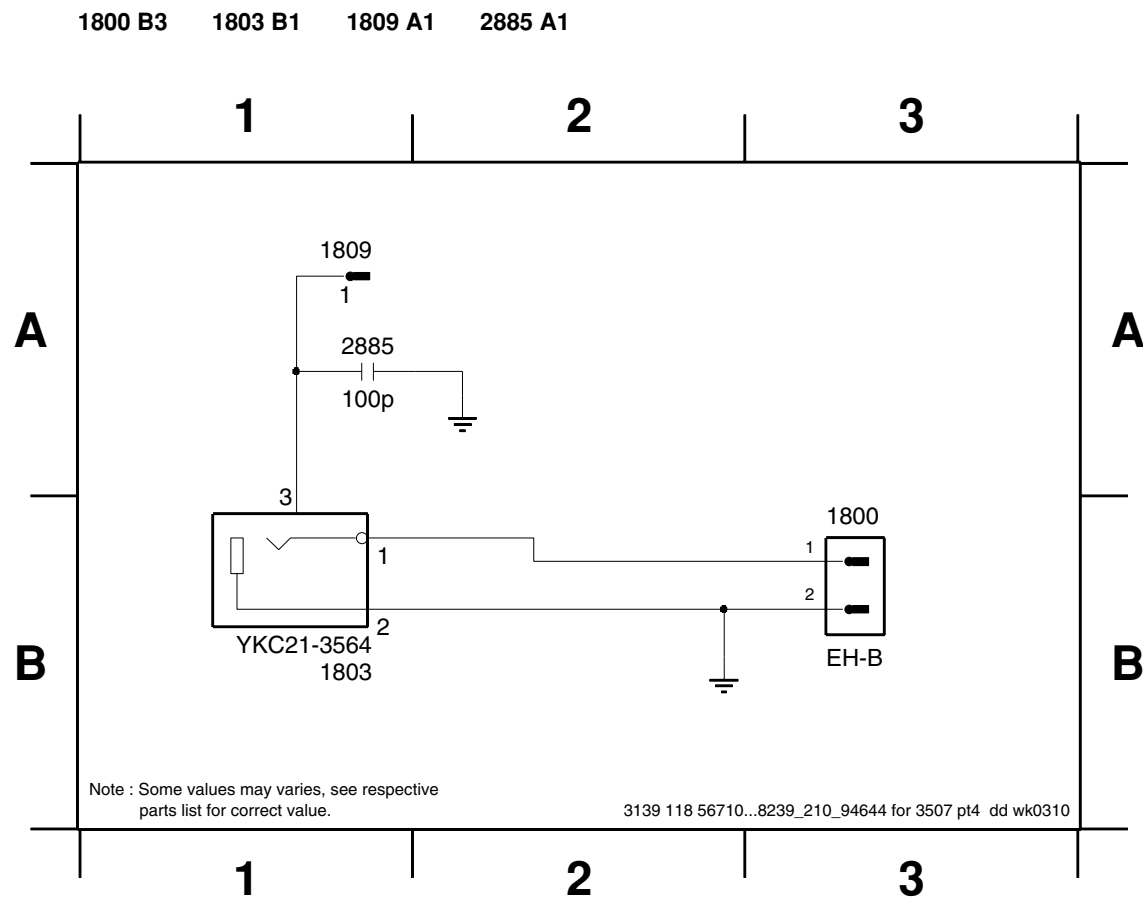
VIDEO OUT CINCH BOARD - COMPONENT LAYOUT



VIDEO OUT CINCH BOARD - CHIP LAYOUT



VIDEO OUT CINCH BOARD - CIRCUIT DIAGRAM



ELECTRICAL PARTS LIST - AF11 BOARD

MISCELLANEOUS

1206	4822 267 11039	Flex Connector 11P
1401	4822 265 11553	Flex Connector 19P
1402	2422 025 14518	Flex Connector 9P
1501	4822 265 20553	Cinch Socket - Aux in
1520	4822 265 11515	Flex Connector 8P
1523	4822 265 10981	Flex Connector 15P
1603	4822 267 10733	Flex Connector 4P
1692	4822 265 11515	Flex Connector 8P
1803	4822 267 31996	Cinch Socket - Video out

CAPACITORS

2201	4822 124 40207	100uF 20% 25V
2202	4822 124 81151	22uF 50V
2203	4822 124 40433	47uF 20% 25V
2204	4822 124 40196	220uF 20% 16V
2205	4822 126 14238	2,2nF 50V
2206	3198 017 42230	22nF 50V
2207	4822 124 40433	47uF 20% 25V
2209	4822 124 40433	47uF 20% 25V
2214	4822 124 40433	47uF 20% 25V
2215	4822 122 33752	15pF 5% 50V
2216	2238 586 59812	100nF +80/-20% 50V
2401	2020 552 94427	100pF 5% 50V
2402	2020 552 94427	100pF 5% 50V
2403	2238 586 59812	100nF +80/-20% 50V
2404	2238 586 59812	100nF +80/-20% 50V
2501	4822 126 13881	470pF 5% 50V
2502	4822 126 13881	470pF 5% 50V
2503	4822 124 40756	1uF 20% 100V
2504	4822 124 40756	1uF 20% 100V
2505	2020 552 94427	100pF 5% 50V
2506	2020 552 94427	100pF 5% 50V
2507	2238 586 59812	100nF +80/-20% 50V
2511	4822 124 40756	1uF 20% 100V
2512	4822 124 40756	1uF 20% 100V
2513	3198 016 31020	1nF 25V
2514	3198 016 31020	1nF 25V
2515	2020 552 94427	100pF 5% 50V
2516	2020 552 94427	100pF 5% 50V
2521	2238 586 59812	100nF +80/-20% 50V
2522	2238 586 59812	100nF +80/-20% 50V
2523	2020 552 94427	100pF 5% 50V
2524	2020 552 94427	100pF 5% 50V
2533	2020 552 94427	100pF 5% 50V
2534	2020 552 94427	100pF 5% 50V
2535	4822 124 40769	4,7uF 20% 100V
2536	4822 124 40769	4,7uF 20% 100V
2541	4822 124 41407	0,47uF 20% 63V
2542	4822 124 41407	0,47uF 20% 63V
2543	4822 126 14549	33nF 16V
2544	4822 126 14549	33nF 16V
2546	4822 121 10686	4,7nF 10% 50V

2547	5322 126 11579	3,3nF 10% 63V
2548	5322 126 11579	3,3nF 10% 63V
2565	4822 121 10686	4,7nF 10% 50V
2567	3198 016 31020	1nF 25V
2568	3198 016 31020	1nF 25V
2589	4822 121 42408	220nF 5% 63V
2590	4822 121 42408	220nF 5% 63V
2591	4822 121 51252	470nF 5% 63V
2592	4822 121 51252	470nF 5% 63V
2593	4822 121 51252	470nF 5% 63V
2594	4822 121 51252	470nF 5% 63V
2601	3198 016 31020	1nF 25V
2602	3198 016 31020	1nF 25V
2603	4822 121 51252	470nF 5% 63V
2604	4822 121 51252	470nF 5% 63V
2605	2020 552 94427	100pF 5% 50V
2606	2020 552 94427	100pF 5% 50V
2607	4822 126 13881	470pF 5% 50V
2608	4822 126 13881	470pF 5% 50V
2609	2020 552 94427	100pF 5% 50V
2610	2020 552 94427	100pF 5% 50V
2611	4822 124 40764	22uF 100 V
2612	4822 124 40764	22uF 100 V
2621	4822 124 40248	10uF 20% 63V
2622	2020 552 94427	100pF 5% 50V
2624	2238 916 15641	22nF 10% 25V
2625	4822 124 41584	100uF 20% 10V
2626	4822 124 40248	10uF 20% 63V
2641	3198 016 31020	1nF 25V
2642	3198 016 31020	1nF 25V
2653	2020 552 94427	100pF 5% 50V
2654	2020 552 94427	100pF 5% 50V
2669	2238 586 59812	100nF +80/-20% 50V
2681	4822 124 40433	47uF 20% 25V
2682	4822 122 33752	15pF 5% 50V
2683	2238 586 59812	100nF +80/-20% 50V
2691	2020 552 94427	100pF 5% 50V
2707	2020 552 94427	100pF 5% 50V
2708	2020 552 94427	100pF 5% 50V
2771	4822 124 41407	0,47uF 20% 63V
2820	4822 124 40196	220uF 20% 16V
2885	5322 122 32531	100pF 5% 50V
2901	2020 561 90365	100nF +80/-20% 50V
2902	3198 017 44740	470nF 10V
2905	2238 916 15641	22nF 10% 25V
2908	2238 586 59812	100nF +80/-20% 50V
2922	2020 552 94427	100pF 5% 50V
2927	4822 126 14043	1uF +80/-20% 16V
2928	4822 126 14043	1uF +80/-20% 16V
2929	4822 126 14043	1uF +80/-20% 16V
2930	4822 126 14043	1uF +80/-20% 16V
2933	4822 122 33753	150pF 5% 50V

ELECTRICAL PARTS LIST - AF11 BOARD

CAPACITORS

2934	4822 122 33753	150pF 5% 50V
2935	2020 012 93583	100uF 20% 25V
2936	4822 126 13956	68pF 5% 63V
2937	4822 126 13956	68pF 5% 63V
2938	2020 552 94427	100pF 5% 50V
2939	2020 552 94427	100pF 5% 50V
2950	4822 126 13881	470pF 5% 50V
2951	4822 126 13881	470pF 5% 50V
2952	2020 552 94427	100pF 5% 50V
2953	4822 126 13881	470pF 5% 50V
2954	3198 017 34730	47nF 16V
2955	3198 016 31020	1nF 25V

RESISTORS

3201	4822 117 12968	820R 5% 0,62W
3202	4822 051 30151	150R 5% 0,062W
3203	4822 117 11817	1k2 1% 1/16W
3204	4822 051 30334	330k 5% 0,062W
3205	4822 116 52289	5k6 5% 0,5W
3206	4822 117 12864	82k 5% 0,6W
3207	4822 051 30391	390R 5% 0,062W
3208	4822 051 30472	4k7 5% 0,062W
3401	4822 051 30471	470R 5% 0,062W
3402	4822 051 30471	470R 5% 0,062W
3403	4822 116 52175	100R 5% 0,5W
3408	4822 051 30103	10k 5% 0,062W
3409	4822 051 30562	5k6 5% 0,063W
3412	4822 050 11002	1k 1% 0,4W
3501	4822 051 30472	4k7 5% 0,062W
3502	4822 051 30472	4k7 5% 0,062W
3503	4822 051 30123	12k 5% 0,062W
3504	4822 051 30123	12k 5% 0,062W
3505	4822 051 30332	3k3 5% 0,062W
3506	4822 051 30332	3k3 5% 0,062W
3511	4822 051 30681	680R 5% 0,062W
3512	4822 051 30681	680R 5% 0,062W
3513	4822 117 12902	8k2 1% 0,063W
3514	4822 117 12902	8k2 1% 0,063W
3521	4822 051 30102	1k 5% 0,062W
3522	4822 051 30102	1k 5% 0,062W
3525	4822 051 30471	470R 5% 0,062W
3526	4822 051 30471	470R 5% 0,062W
3531	4822 051 30152	1k5 5% 0,062W
3532	4822 051 30152	1k5 5% 0,062W
3533	4822 051 30273	27k 5% 0,062W
3534	4822 051 30273	27k 5% 0,062W
3543	4822 051 30153	15k 5% 0,062W
3544	4822 051 30153	15k 5% 0,062W
3545	4822 051 30562	5k6 5% 0,063W
3546	4822 051 30562	5k6 5% 0,063W
3547	4822 051 30332	3k3 5% 0,062W
3548	4822 051 30332	3k3 5% 0,062W

3549	4822 051 30562	5k6 5% 0,063W
3550	4822 051 30562	5k6 5% 0,063W
3591	4822 117 12902	8k2 1% 0,063W
3592	4822 117 12902	8k2 1% 0,063W
3593	4822 051 30562	5k6 5% 0,063W
3594	4822 051 30562	5k6 5% 0,063W
3601	4822 116 52238	12k 5% 0,5W
3602	4822 116 52238	12k 5% 0,5W
3607	4822 051 30682	6k8 5% 0,062W
3608	4822 116 83961	6k8 5%
3609	4822 051 30273	27k 5% 0,062W
3610	4822 051 30273	27k 5% 0,062W
3611	4822 051 30479	47R 5% 0,062W
3612	4822 051 30479	47R 5% 0,062W
3613	4822 051 30102	1k 5% 0,062W
3614	4822 051 30102	1k 5% 0,062W
3615	4822 051 30339	33R 5% 0,062W
3616	4822 051 30339	33R 5% 0,062W
3621	4822 051 30103	10k 5% 0,062W
3622	4822 051 30103	10k 5% 0,062W
3623	4822 051 30102	1k 5% 0,062W
3624	4822 051 30562	5k6 5% 0,063W
3625	4822 051 30472	4k7 5% 0,062W
3626	4822 051 30472	4k7 5% 0,062W
3627	4822 052 10109	10R 5% 0,33W
3628	4822 116 52283	4k7 5% 0,5W
3629	4822 051 30472	4k7 5% 0,062W
3631	4822 050 11002	1k 1% 0,4W
3633	4822 051 30102	1k 5% 0,062W
3634	4822 051 30562	5k6 5% 0,063W
3635	4822 051 30103	10k 5% 0,062W
3636	4822 051 30472	4k7 5% 0,062W
3637	4822 051 30103	10k 5% 0,062W
3638	4822 051 30472	4k7 5% 0,062W
3640	4822 116 52289	5k6 5% 0,5W
3645	4822 051 30221	220R 5% 0,062W
3646	4822 051 30221	220R 5% 0,062W
3651	4822 051 30102	1k 5% 0,062W
3652	4822 051 30102	1k 5% 0,062W
3653	4822 051 30102	1k 5% 0,062W
3654	4822 051 30102	1k 5% 0,062W
3655	4822 051 30102	1k 5% 0,062W
3656	4822 051 30102	1k 5% 0,062W
3657	4822 051 30102	1k 5% 0,062W
3658	4822 051 30102	1k 5% 0,062W
3683	4822 117 12864	82k 5% 0,6W
3684	4822 117 12864	82k 5% 0,6W
3686	4822 117 12864	82k 5% 0,6W
3687	4822 117 11817	1k2 1% 1/16W
3688	4822 051 30391	390R 5% 0,062W
3689	4822 051 30151	150R 5% 0,062W
3692	4822 051 30334	330k 5% 0,062W

ELECTRICAL PARTS LIST - AF11 BOARD

3694	4822 051 30222	2k2 5% 0,062W
3707	4822 050 11002	1k 1% 0,4W
3708	4822 050 11002	1k 1% 0,4W
3711	4822 051 30562	5k6 5% 0,063W
3821	4822 052 10109	10R 5% 0,33W
3932	4822 051 30103	10k 5% 0,062W
3933	4822 051 30562	5k6 5% 0,063W
3934	4822 116 83882	39k 5% 0,5W
3935	4822 051 30123	12k 5% 0,062W
3936	4822 051 30562	5k6 5% 0,063W
3937	4822 051 30103	10k 5% 0,062W
3938	4822 051 30103	10k 5% 0,062W
3939	4822 051 30689	68R 5% 0,063W
3940	4822 051 30123	12k 5% 0,062W
3941	4822 051 30103	10k 5% 0,062W
3942	4822 051 30393	39k 5% 0,062W
3943	4822 051 30689	68R 5% 0,063W
3944	4822 051 30152	1k5 5% 0,062W
3945	4822 051 30153	15k 5% 0,062W
3946	4822 051 30223	22k 5% 0,062W
3947	4822 051 30152	1k5 5% 0,062W
3948	4822 051 30153	15k 5% 0,062W
3949	4822 051 30223	22k 5% 0,062W
3950	4822 051 30392	3k9 5% 0,063W
3951	4822 117 12968	820R 5% 0,62W
3952	4822 117 12968	820R 5% 0,62W
4100	4822 051 30008	OR Jumper 0603
4101	4822 051 30008	OR Jumper 0603
4102	4822 051 30008	OR Jumper 0603
4104	4822 051 30008	OR Jumper 0603
4116	4822 051 30008	OR Jumper 0603
4122	4822 051 30008	OR Jumper 0603
4130	4822 051 30008	OR Jumper 0603
4132	4822 051 30008	OR Jumper 0603
4133	4822 051 30008	OR Jumper 0603
4135	4822 051 30008	OR Jumper 0603
4137	4822 051 30008	OR Jumper 0603
4138	4822 051 30008	OR Jumper 0603
4139	4822 051 30008	OR Jumper 0603
4141	4822 051 30008	OR Jumper 0603
4142	4822 051 30008	OR Jumper 0603
4144	4822 051 30008	OR Jumper 0603
4145	4822 051 30008	OR Jumper 0603
4146	4822 051 30008	OR Jumper 0603
4148	4822 051 30008	OR Jumper 0603
4149	4822 051 30008	OR Jumper 0603
4150	4822 051 30008	OR Jumper 0603
4151	4822 051 30008	OR Jumper 0603
4152	4822 051 30008	OR Jumper 0603
4153	4822 051 30008	OR Jumper 0603
4201	4822 051 30008	OR Jumper 0603
4202	4822 051 30008	OR Jumper 0603

4203	4822 051 30008	OR Jumper 0603
4204	4822 051 30008	OR Jumper 0603
4206	4822 051 30008	OR Jumper 0603
4207	4822 051 30008	OR Jumper 0603
4208	4822 051 30008	OR Jumper 0603
4209	4822 051 30008	OR Jumper 0603
4210	4822 051 30008	OR Jumper 0603
4211	4822 051 30008	OR Jumper 0603
4212	4822 051 30008	OR Jumper 0603
4301	4822 051 30008	OR Jumper 0603
4305	4822 051 30008	OR Jumper 0603
4306	4822 051 30008	OR Jumper 0603
4313	4822 051 30008	OR Jumper 0603
4319	4822 051 30008	OR Jumper 0603
4331	4822 051 30008	OR Jumper 0603
4332	4822 051 30008	OR Jumper 0603
4333	4822 051 30008	OR Jumper 0603
4334	4822 051 30008	OR Jumper 0603
4336	4822 051 30008	OR Jumper 0603
4337	4822 051 30008	OR Jumper 0603
4338	4822 051 30008	OR Jumper 0603
4342	4822 051 30008	OR Jumper 0603
4349	4822 051 30008	OR Jumper 0603
4374	4822 051 30008	OR Jumper 0603
4403	4822 051 30008	OR Jumper 0603
4407	4822 051 30008	OR Jumper 0603
4409	4822 051 30008	OR Jumper 0603
4410	4822 051 30008	OR Jumper 0603
4411	4822 051 30008	OR Jumper 0603
4501	4822 051 30008	OR Jumper 0603
4641	4822 051 30008	OR Jumper 0603
4642	4822 051 30008	OR Jumper 0603
4802	4822 051 30008	OR Jumper 0603
4811	4822 051 30008	OR Jumper 0603
4812	4822 051 30008	OR Jumper 0603
4903	4822 051 30008	OR Jumper 0603
4904	4822 051 30008	OR Jumper 0603
4908	4822 051 30008	OR Jumper 0603
4913	4822 051 30008	OR Jumper 0603
4916	4822 051 30008	OR Jumper 0603
4917	4822 051 30008	OR Jumper 0603
4920	4822 051 30008	OR Jumper 0603

COILS & FILTERS

5621	4822 156 21721	Coil 2,2uH 10%
------	----------------	----------------

DIODES

6201	4822 130 30621	1N4148
6202	4822 130 30862	BZX79-C9V1
6205	4822 130 61219	BZX79-C10
6206	4822 130 31878	1N4003G
6207	4822 130 31878	1N4003G

ELECTRICAL PARTS LIST - AF11 BOARD

DIODES

6208	4822 130 31878	1N4003G
6401	4822 130 30621	1N4148
6774	4822 130 30621	1N4148

TRANSISTORS & INTEGRATED CIRCUITS

7201	5322 130 60159	BC847B
7202	4822 209 72042	MC78L05ACP
7203	4822 130 60373	BC857B
7204	5322 130 60159	BC847B
7401	4822 130 41246	BC327-25
7402	5322 130 60159	BC847B
7403	4822 209 17345	M62320FP
7501	9322 150 74668	TDA7468D
7601	4822 209 31378	NJM4556AM
7603	4822 130 42804	BC817-25
7604	4822 130 42804	BC817-25
7621	5322 130 60159	BC847B
7622	4822 130 60373	BC857B
7623	5322 130 60159	BC847B
7635	4822 130 60373	BC857B
7636	5322 130 60159	BC847B
7651	4822 130 42804	BC817-25
7652	4822 130 42804	BC817-25
7653	4822 130 42804	BC817-25
7654	4822 130 42804	BC817-25
7681	4822 130 60373	BC857B
7682	5322 130 60159	BC847B
7694	5322 209 11102	HEF4052BT
7695	4822 209 83357	NJM4560M
7803	5322 130 60159	BC847B

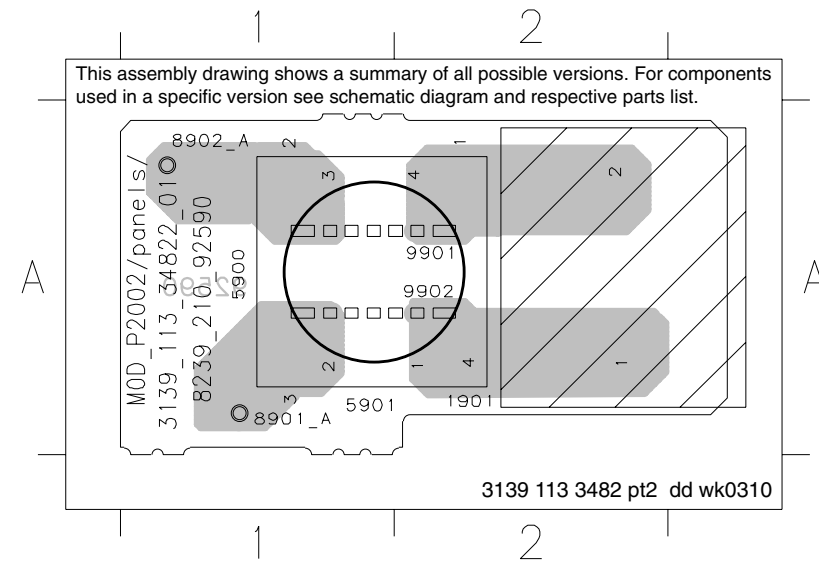
Note : Only the parts mentioned in this list are normal service spare parts.

P2002 110/135W MODULE

TABLE OF CONTENTS

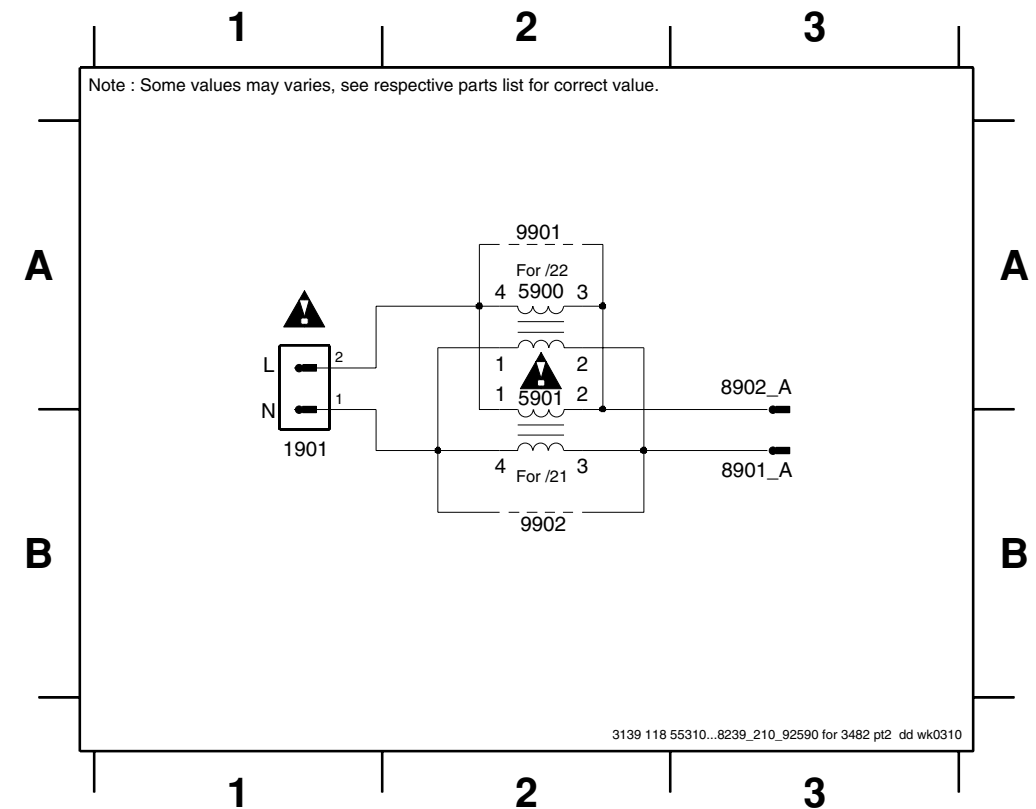
Mains Socket Board - Layout & Circuit Diagram 9-1
 Mains Board - Component Layout 9-2
 Mains Board - Circuit Diagram 9-3
 L/R Amp. & Supply Board - Component Layout 9-4
 L/R Amp. & Supply Board - Circuit Diagram (Part 1) 9-5
 L/R Amp. & Supply Board - Circuit Diagram (Part 2) 9-6
 L/R Amp. & Supply Board - Circuit Diagram (Part 3) 9-7
 Electrical parts list..... 9-7

1901 A2 5901 A1 8902_A A1 9902 A2
 5900 A1 8901_A A1 9901 A2



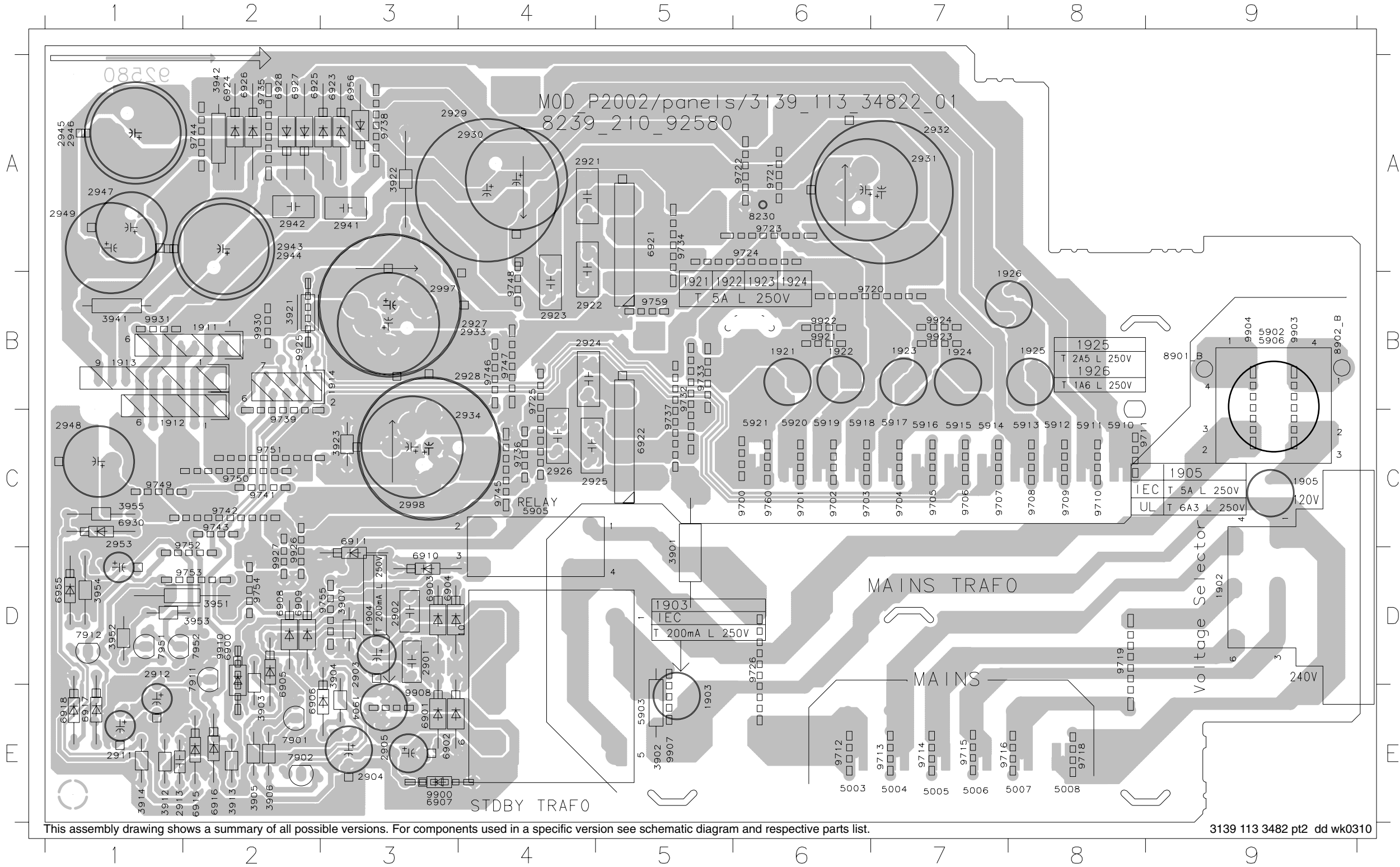
MAINS SOCKET BOARD - CIRCUIT DIAGRAM

1901 B1 5901 A2 8902_A A3 9902 B2
 5900 A2 8901_A B3 9901 A2



MAINS BOARD - COMPONENT LAYOUT

1902 D9	1926 B8	2925 C4	2944 A2	3905 E2	3953 D2	5910 C8	6901 E3	6917 E1	7901 E2	9704 C7	9718 E8	9736 C4	9750 C2	9910 D2
1903 E5	2901 D3	2926 C4	2945 A1	3906 E2	3954 D1	5911 C8	6902 E3	6918 E1	7902 E2	9705 C7	9719 D8	9737 C5	9751 C2	9921 B6
1904 E3	2902 D3	2927 B4	2946 A1	3907 D3	3955 C1	5912 C8	6903 D3	6921 A5	7911 D2	9706 C7	9720 B6	9738 A3	9752 C2	9922 B6
1905 C9	2903 D3	2928 B4	2947 A1	3912 E1	5003 E6	5913 C8	6904 D3	6922 C5	7912 D1	9707 C7	9721 A6	9739 C2	9753 D2	9923 B7
1911 B2	2904 E3	2929 A3	2948 C1	3913 E2	5004 E7	5914 C7	6905 D2	6923 A3	7951 D1	9708 C8	9722 A6	9741 C2	9754 D2	9924 B7
1912 C1	2905 E3	2930 A4	2949 A1	3914 E1	5005 E7	5915 C7	6906 E2	6924 A2	7952 D2	9709 C8	9723 A6	9742 C2	9755 D3	9925 B2
1913 B1	2911 E1	2931 A7	2953 C1	3921 B2	5006 E7	5916 C7	6907 E3	6925 A2	8230 A6	9710 C8	9724 A6	9743 C2	9759 B5	9926 D2
1914 B3	2912 D1	2932 A7	2997 B3	3922 A3	5007 E8	5917 C7	6908 D2	6926 A2	8901 B B9	9711 C8	9725 B4	9744 A2	9760 C6	9927 D2
1921 B6	2913 E1	2933 B4	2998 C3	3923 C3	5008 E8	5918 C6	6909 D2	6927 A2	8902 B B9	9712 E6	9726 D6	9745 C4	9900 E3	9930 B2
1922 B6	2921 A4	2934 C4	3901 D5	3941 B1	5902 B9	5919 C6	6910 D3	6928 A2	9700 C6	9713 E7	9732 B5	9746 B4	9903 B9	9931 B1
1923 B7	2922 B4	2941 A3	3902 E5	3942 A2	5903 E5	5920 C6	6911 C3	6930 C1	9701 C6	9714 E7	9733 B5	9747 B4	9904 B9	
1924 B7	2923 B4	2942 A2	3903 E2	3951 D2	5905 C4	5921 C6	6915 E2	6955 D1	9702 C6	9715 E7	9734 A5	9748 B4	9907 E5	
1925 B8	2924 B4	2943 A2	3904 D3	3952 D1	5906 B9	6900 D2	6916 E2	6956 A3	9703 C6	9716 E7	9735 A2	9749 C1	9908 E3	

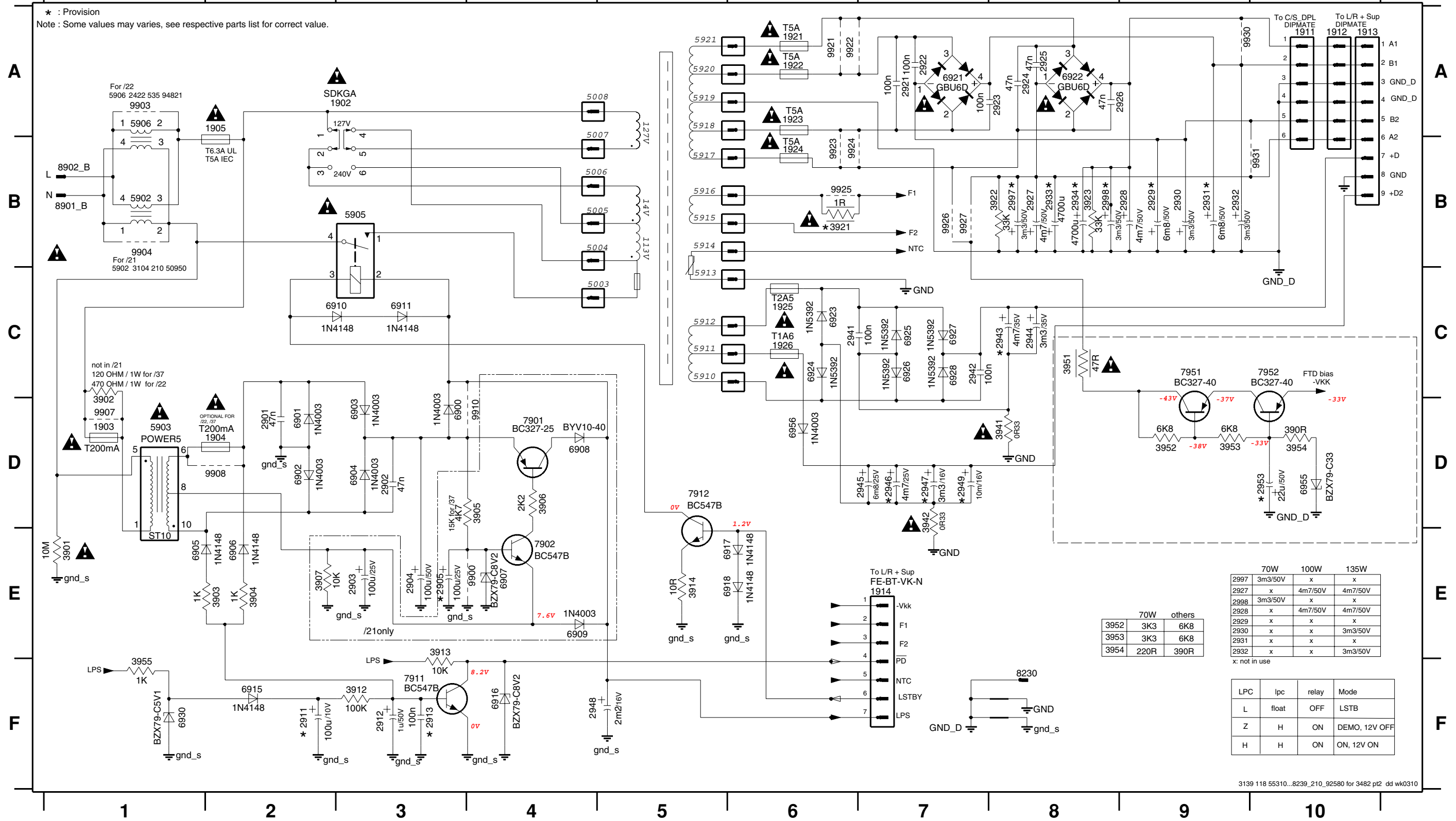


This assembly drawing shows a summary of all possible versions. For components used in a specific version see schematic diagram and respective parts list.

3139 113 3482 pt2 dd wk0310

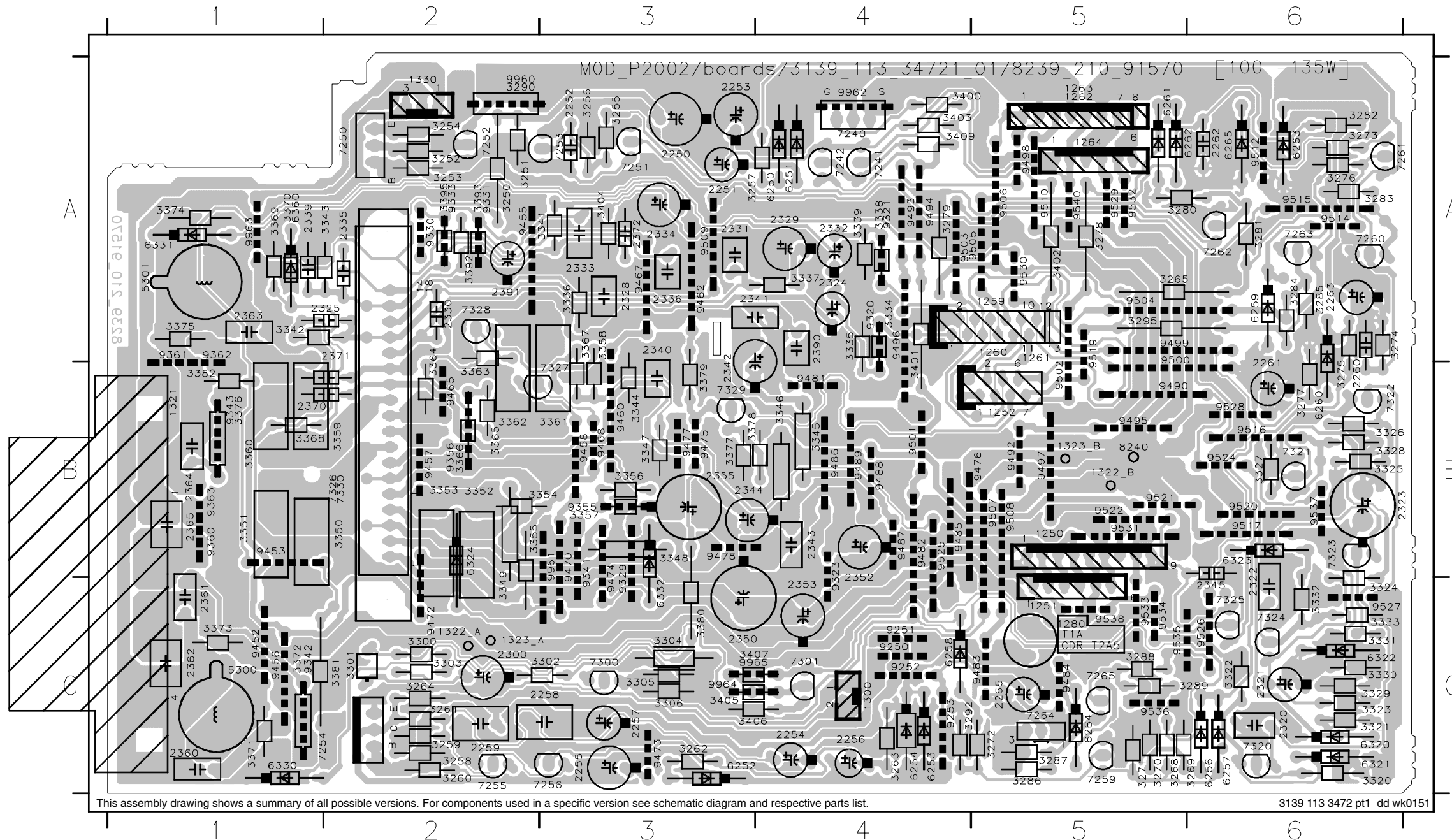
MAINS BOARD - CIRCUIT DIAGRAM

1902 A3	1912 A10	1923 A6	2902 D3	2912 F3	2924 A8	2929 B9	2934 B8	2945 D7	2953 D10	3903 E2	3912 F3	3923 B8	3953 D9	5905 B3	6903 D3	6908 D4	6916 F4	6923 C6	6928 C7	7902 E4	8230 F8	9904 B1	9922 A6	9927 B7
1903 D1	1913 A10	1924 B6	2903 E3	2913 F3	2925 A8	2930 B9	2941 C6	2946 D7	2957 B8	3904 E2	3913 E3	3941 D8	3954 D10	5906 A1	6904 D3	6909 E4	6917 E6	6924 C6	6930 F1	7911 F3	8901_B B1	9907 D1	9923 B6	9930 A9
1904 D2	1914 E7	1925 C6	2904 E3	2921 A7	2926 A8	2931 B9	2942 C7	2947 D7	2958 B8	3905 D4	3914 E5	3942 D7	3955 F1	5900 D3	6905 E1	6910 C3	6918 E6	6925 C7	6955 D10	7912 D5	8902_B B1	9908 D2	9924 B6	9931 B10
1905 A2	1921 A6	1926 C6	2905 E3	2922 A7	2927 B8	2932 B9	2943 C8	2948 F4	2959 B8	3906 D4	3921 B6	3951 C8	5902 B1	6901 D2	6906 E2	6911 C3	6921 A7	6926 C7	6956 D6	7951 C9	8900 E4	9910 D4	9925 B6	
1911 A10	1922 A6	2901 D2	2911 F2	2923 A8	2928 B9	2933 B8	2944 C8	2949 D7	2952 C1	3907 E2	3922 B7	3952 D9	5903 D1	6902 D2	6907 E4	6915 F2	6922 A8	6927 C7	7901 D4	7952 C10	8903 A1	9921 A6	9926 B7	



LEFT/RIGHT AMPLIFIER & SUPPLY BOARD - COMPONENT VIEW

1250 B5	2260 B6	2345 C6	3261 C2	3290 A2	3337 A4	3365 B2	3406 C3	6332 C3	7326 B2	9453 B1	9490 B5	9521 B5
1251 C5	2261 B6	2350 C3	3262 C3	3292 C4	3338 A4	3366 B2	3407 C3	6360 A1	7327 B3	9455 A2	9492 B5	9522 B5
1252 B5	2262 A6	2352 B4	3263 C3	3295 A5	3339 A4	3367 A3	3409 A4	7240 A4	7328 A2	9456 C1	9493 A4	9524 B6
1259 A5	2263 A6	2353 C4	3264 C2	3300 C2	3341 A3	3368 B1	5300 C1	7241 A4	7329 B3	9457 B2	9494 A4	9525 B4
1260 A5	2265 C5	2355 B3	3265 A5	3301 C2	3342 A1	3369 A1	5301 A1	7242 A4	7330 B2	9458 B3	9495 B5	9526 C6
1261 A5	2300 C2	2360 C1	3268 C5	3302 C3	3343 A2	3370 A1	6250 A4	7250 A2	8240 B5	9460 B3	9496 A4	9527 C6
1262 A5	2320 C6	2361 C1	3269 C6	3303 C2	3344 B3	3371 C1	6251 A4	7251 A3	9250 C4	9462 A3	9497 B5	9528 B6
1263 A5	2321 C6	2362 C1	3270 C5	3304 C3	3345 B4	3372 C1	6252 C3	7252 A2	9251 C4	9465 B2	9498 A5	9529 A5
1264 A5	2322 C6	2363 A1	3271 C5	3305 C3	3346 B4	3373 C1	6253 C4	7253 A3	9252 C4	9467 A3	9499 A5	9530 A5
1280 C5	2323 B6	2364 B1	3272 C5	3306 C3	3347 B3	3374 A1	6254 C4	7254 C1	9253 C4	9468 B3	9500 A5	9531 B5
1300 C4	2324 A4	2365 B1	3273 A6	3320 C6	3348 B3	3375 A1	6256 C6	7255 C2	9320 A4	9470 B3	9501 B4	9532 A5
1321 B1	2325 A2	2370 B1	3274 A6	3321 C6	3349 C2	3376 B1	6257 C6	7256 C3	9321 A4	9472 C2	9502 B5	9533 C5
1322_A C2	2328 A3	2371 A2	3275 B6	3322 C6	3350 B2	3377 B3	6258 C4	7259 C5	9323 B4	9473 C3	9503 A4	9534 C5
1322_B B5	2329 A4	2372 A3	3276 A6	3323 C6	3351 B1	3378 B3	6259 A6	7260 A6	9329 C3	9474 C3	9504 A5	9535 C5
1323_A C2	2330 A2	2390 A4	3277 B6	3324 C6	3352 B2	3379 B3	6260 B6	7261 A6	9330 A2	9475 B3	9505 A5	9536 C5
1323_B B5	2331 A3	2391 A2	3278 A5	3325 B6	3353 B2	3380 C3	6261 A5	7262 A6	9331 A2	9476 B5	9506 A5	9537 B6
1330 A2	2332 A4	3250 A2	3279 A4	3326 B6	3354 B3	3381 C2	6262 A6	7263 A6	9333 A2	9477 B3	9507 B5	9538 C5
2250 A3	2333 A3	3251 A2	3280 A5	3327 B6	3355 B2	3382 B1	6263 A6	7264 C5	9341 B3	9478 B3	9508 B5	9540 A5
2251 A3	2334 A3	3252 A2	3281 A6	3328 B6	3356 B3	3392 A2	6264 C5	7265 C5	9342 C1	9481 B4	9509 A3	9960 A2
2252 A3	2335 A2	3253 A2	3282 A6	3329 C6	3357 B3	3393 A2	6265 A6	7300 C3	9343 B1	9482 B4	9510 A5	9961 B3
2253 A3	2336 A3	3254 A2	3283 A6	3330 C6	3358 A3	3395 A2	6320 C6	7301 C4	9355 B3	9483 C5	9512 A6	9962 A4
2254 C4	2339 A1	3255 A3	3284 A6	3331 C6	3359 B2	3400 A4	6321 C6	7320 C6	9356 B2	9484 C5	9514 A6	9963 A1
2255 C3	2340 A3	3256 A3	3285 A6	3332 C6	3360 B1	3401 B4	6322 C6	7321 B6	9360 B1	9485 B4	9515 A6	9964 C3
2256 C4	2341 A3	3257 A3	3286 C5	3333 C6	3361 B3	3402 A5	6323 B6	7322 B6	9361 A1	9486 B4	9516 B6	9965 C3
2257 C3	2342 B3	3258 C2	3287 C5	3334 A4	3362 B2	3403 A4	6324 B2	7323 C6	9362 A1	9487 B4	9517 B6	
2258 C3	2343 B4	3259 C2	3288 C5	3335 B4	3363 B2	3404 A3	6330 C1	7324 B6	9363 B1	9488 B4	9519 A5	
2259 C2	2344 B3	3260 C2	3289 C6	3336 A3	3364 B2	3405 C3	6331 A1	7325 C6	9452 C1	9489 B4	9520 B6	

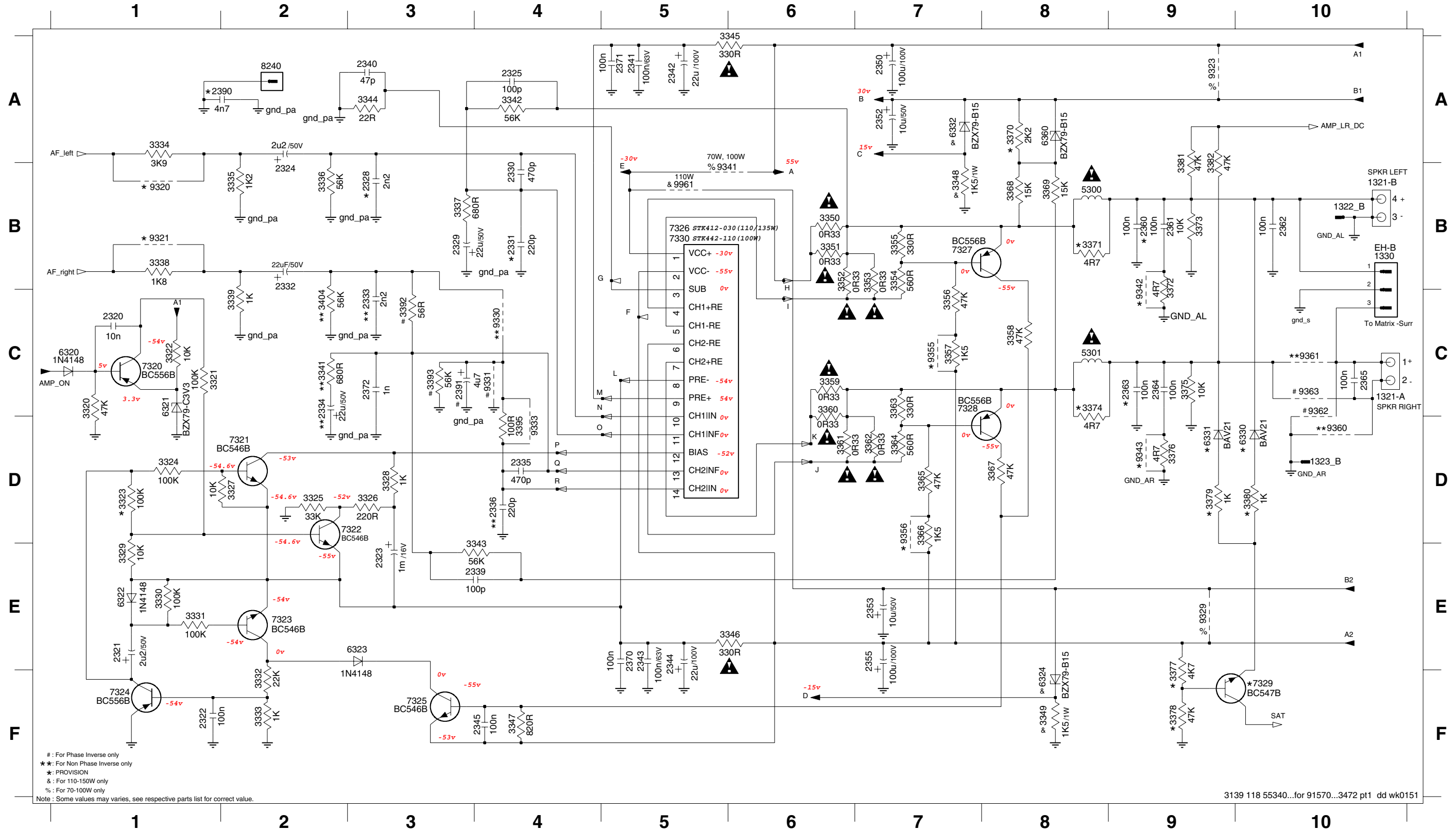


This assembly drawing shows a summary of all possible versions. For components used in a specific version see schematic diagram and respective parts list.

3139 113 3472 pt1 dd wk0151

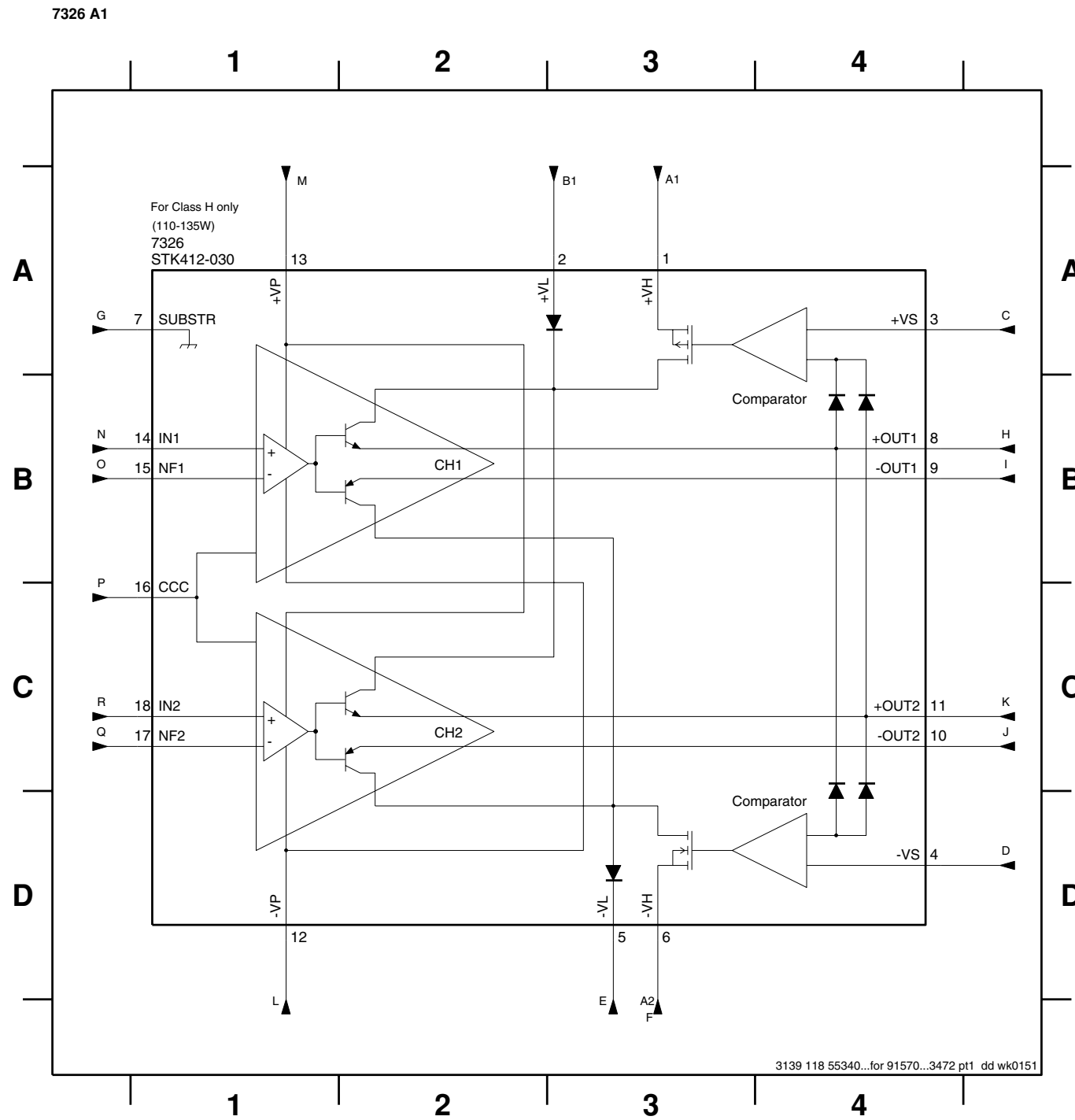
LEFT/RIGHT AMPLIFIER & SUPPLY BOARD - CIRCUIT DIAGRAM (PART 2)

1321-A C10	2322 F1	2331 B4	2340 A3	2352 A7	2364 C9	3320 C1	3327 D2	3334 A1	3342 A4	3349 F8	3356 C7	3363 C7	3370 A8	3377 F9	3393 C3	6322 E1	7320 C1	7328 C7	9329 E9	9355 C7
1321-B B10	2323 E3	2332 B2	2341 A5	2353 E7	2365 C10	3321 C1	3328 D3	3335 B2	3343 E4	3350 B6	3357 C7	3364 D7	3371 B8	3378 F9	3395 D4	6323 E3	7321 D2	7329 F10	9330 C4	9356 D7
1322_B B10	2324 B2	2333 C3	2342 A5	2355 E7	2370 E5	3322 C1	3329 E1	3336 B2	3344 A3	3351 B6	3358 C8	3365 D7	3372 B9	3379 D9	3404 C2	6324 F8	7322 D2	7330 B5	9331 C4	9360 D10
1323_B D10	2325 A4	2334 C2	2343 E5	2360 B9	2371 A5	3323 D1	3330 E1	3337 B3	3345 A6	3352 B6	3359 C6	3366 D7	3373 B9	3380 D10	5300 B8	6330 D10	7323 E1	8240 A2	9333 D4	9361 C10
1330 B10	2328 B3	2335 D4	2344 E5	2361 B9	2372 C3	3324 D1	3331 E1	3338 B1	3346 E6	3353 B7	3360 C6	3367 D8	3374 C8	3381 B9	5301 C8	6331 D9	7324 F1	9320 B1	9341 B5	9362 C10
2320 C1	2329 B3	2336 D4	2345 F4	2362 B10	2390 A2	3325 D2	3332 F2	3339 C2	3347 F4	3354 B7	3361 D6	3368 B8	3375 C9	3382 B9	6320 C1	6332 A7	7325 F3	9321 B1	9342 B9	9363 C10
2321 E1	2330 B4	2339 E4	2350 A7	2363 C9	2391 C3	3326 D3	3333 F2	3341 C2	3348 B7	3355 B7	3362 D7	3369 B8	3376 D9	3392 C3	6321 C1	6360 A8	7327 B7	9323 A9	9343 D9	9361 B5



: For Phase Inverse only
 ** : For Non Phase Inverse only
 * : PROVISION
 & : For 110-150W only
 % : For 70-100W only
 Note : Some values may vary, see respective parts list for correct value.

LEFT/RIGHT AMPLIFIER & SUPPLY BOARD - CIRCUIT DIAGRAM (PART 3)



MECHANICAL PARTS LIST

0002 4822 492 11735 SPRING TRANS

ELECTRICAL PARTS LIST - MAINS BOARD

MISCELLANEOUS

1901 2422 030 00328 Δ Mains Socket
 1905 4822 252 51123 Δ Fuse RAD LT 6,3A 250V
 1914 4822 267 10953 Flex Connector 7P
 1921 4822 071 55002 Δ Fuse RAD LT 5A 250V
 1922 4822 071 55002 Δ Fuse RAD LT 5A 250V
 1923 4822 071 55002 Δ Fuse RAD LT 5A 250V
 1924 4822 071 55002 Δ Fuse RAD LT 5A 250V
 1925 4822 071 52502 Δ Fuse RAD LT 2,5A 250V
 1926 4822 071 51602 Δ Fuse RAD LT 1,6A 250V

5905 4822 280 10382 Δ Relay 1P 9V 10/80A SDT-SS

DIODES

6900 4822 130 31878 1N4003G
 6901 4822 130 31878 1N4003G
 6902 4822 130 31878 1N4003G
 6903 4822 130 31878 1N4003G
 6904 4822 130 31878 1N4003G
 6905 4822 130 30621 1N4148
 6906 4822 130 30621 1N4148
 6910 4822 130 30621 1N4148
 6911 4822 130 30621 1N4148
 6915 4822 130 30621 1N4148
 6916 4822 130 34382 BZX79-C8V2
 6917 4822 130 30621 1N4148
 6918 4822 130 30621 1N4148
 6921 4822 130 10944 Δ GBU6D
 6922 4822 130 10944 Δ GBU6D
 6923 4822 130 31878 1N4003G
 6923 5322 130 80686 1N5392
 6924 4822 130 31878 1N4003G
 6924 5322 130 80686 1N5392
 6925 4822 130 31878 1N4003G
 6925 5322 130 80686 1N5392
 6926 4822 130 31878 1N4003G
 6926 5322 130 80686 1N5392
 6927 4822 130 31878 1N4003G
 6927 5322 130 80686 1N5392
 6928 4822 130 31878 1N4003G
 6928 5322 130 80686 1N5392
 6930 4822 130 34233 BZX79-C5V1
 6955 4822 130 34142 BZX79-C33
 6956 4822 130 31878 1N4003G

CAPACITORS

2901 4822 121 43526 47nF 5% 250V
 2902 4822 121 43526 47nF 5% 250V
 2904 4822 124 40255 100uF 20% 63V
 2912 4822 124 21913 1uF 20% 63V
 2921 4822 121 40518 100nF 10% 250V
 2922 4822 121 40518 100nF 10% 250V
 2923 4822 121 40518 100nF 10% 250V
 2924 4822 121 43526 47nF 5% 250V
 2925 4822 121 43526 47nF 5% 250V
 2926 4822 121 43526 47nF 5% 250V
 2927 4822 124 12423 4700uF 20% 63V
 2928 4822 124 12423 4700uF 20% 63V
 2930 2022 020 00644 3300uF 20% 50V
 2932 2022 020 00644 3300uF 20% 50V
 2941 5322 121 42386 100nF 5% 63V
 2942 5322 121 42386 100nF 5% 63V
 2944 4822 124 42367 3300uF 20% 35V
 2945 4822 124 12328 6800uF 25V
 2948 4822 123 14025 2200uF 20% 16V

RESISTORS

3901 4822 053 21106 Δ 10M 5% 0,5W
 3902 4822 053 10121 120R 5% 1W
 3903 4822 050 11002 1k 1% 0,4W
 3904 4822 050 11002 1k 1% 0,4W
 3905 4822 116 52244 15k 5% 0,5W
 3912 4822 116 52234 100k 5% 0,5W
 3913 4822 050 21003 10k 1% 0,6W
 3914 4822 116 52176 10R 5% 0,5W
 3922 4822 050 23303 33k 1% 0,6W
 3923 4822 050 23303 33k 1% 0,6W
 3941 4822 117 11342 Δ 0R33 5% 2W
 3942 4822 117 11342 Δ 0R33 5% 2W
 3951 4822 052 10479 Δ 47R 5% 0,33W
 3952 4822 116 83961 6k8 5%
 3953 4822 116 83961 6k8 5%
 3954 4822 116 83881 390R 5% 0,5W
 3955 4822 050 11002 1k 1% 0,4W

TRANSISTORS & INTEGRATED CIRCUITS

7911 4822 130 40959 BC547B
 7912 4822 130 40959 BC547B
 7951 4822 130 41327 BC327-40
 7952 4822 130 41327 BC327-40

Note : Only the parts mentioned in this list are normal service spare parts.

COILS & FILTERS

5903 3103 308 30800 Δ Transformer Standby

ELECTRICAL PARTS LIST - LEFT/RIGHT AMPLIFIER & SUPPLY BOARD**MISCELLANEOUS**

0028	3139 114 73910	Holder STK PWR2002 150W
1252	4822 267 10953	Flex Connector 7P
1259	4822 267 11039	Flex Connector 11P
1280	4822 071 51002	△ Fuse RAD LT 1A 250V
1321	4822 267 31176	L/R Speaker Terminal

CAPACITORS

2250	4822 124 40255	100uF 20% 63V
2251	4822 124 40248	10uF 20% 63V
2252	4822 122 10577	3,3nF 10% 16V
2253	4822 124 40433	47uF 20% 25V
2257	4822 124 40248	10uF 20% 63V
2258	5322 121 42386	100nF 5% 63V
2259	5322 121 42386	100nF 5% 63V
2260	4822 121 51387	10nF 20% 16V
2261	4822 124 41584	100uF 20% 10V
2263	4822 124 40248	10uF 20% 63V
2300	4822 124 40207	100uF 20% 25V
2320	4822 121 43693	10nF 100V
2321	4822 124 22652	2,2uF 20% 50V
2322	5322 121 42386	100nF 5% 63V
2323	4822 124 81144	1000uF 16V
2324	4822 124 22652	2,2uF 20% 50V
2325	4822 122 33195	100pF 10% 50V
2329	4822 124 81151	22uF 50V
2330	4822 122 33519	470pF 10% 50V
2332	4822 124 81151	22uF 50V
2335	4822 122 33519	470pF 10% 50V
2339	4822 122 33195	100pF 10% 50V
2340	4822 126 12726	47pF 5% 50V
2341	5322 121 42386	100nF 5% 63V
2342	4822 124 40764	22uF 100 V
2343	5322 121 42386	100nF 5% 63V
2344	4822 124 40764	22uF 100 V
2345	2020 561 90365	100nF +80/-20% 50V
2350	2020 012 93547	100uF 20% 63V
2352	4822 124 40248	10uF 20% 63V
2353	4822 124 40248	10uF 20% 63V
2355	2020 012 93547	100uF 20% 63V
2361	5322 121 42386	100nF 5% 63V
2362	4822 121 43856	4,7nF 5% 250V
2364	5322 121 42386	100nF 5% 63V
2365	4822 121 43856	4,7nF 5% 250V
2370	2020 561 90365	100nF +80/-20% 50V
2371	2020 561 90365	100nF +80/-20% 50V
2372	4822 122 33197	1nF 10% 50V
2391	4822 124 40769	4,7uF 20% 100V

RESISTORS

3250	4822 116 52256	2k2 5% 0,5W
3251	4822 116 52256	2k2 5% 0,5W
3253	4822 116 83883	470R 5% 0,5W

3255	4822 116 52213	180R 5% 0,5W
3256	4822 116 52206	120R 5% 0,5W
3257	4822 050 21003	10k 1% 0,6W
3264	4822 050 21003	10k 1% 0,6W
3265	4822 050 11002	1k 1% 0,4W
3268	4822 116 52244	15k 5% 0,5W
3269	4822 116 83961	6k8 5%
3270	4822 050 11002	1k 1% 0,4W
3271	4822 116 52263	2k7 5% 0,5W
3272	4822 116 52289	5k6 5% 0,5W
3273	4822 116 52228	680R 5% 0,5W
3274	4822 116 52234	100k 5% 0,5W
3275	4822 050 23303	33k 1% 0,6W
3276	4822 116 83884	47k 5% 0,5W
3277	4822 116 52234	100k 5% 0,5W
3279	4822 116 83884	47k 5% 0,5W
3280	4822 116 52303	8k2 5% 0,5W
3281	4822 116 83882	39k 5% 0,5W
3283	4822 116 52228	680R 5% 0,5W
3284	4822 116 83884	47k 5% 0,5W
3285	4822 116 52291	56k 5% 0,5W
3292	4822 116 52269	3k3 5% 0,5W
3295	4822 050 11002	1k 1% 0,4W
3300	4822 116 83883	470R 5% 0,5W
3301	4822 117 12063	NTC DC 5W 10k 5%
3302	4822 116 83876	270R 5% 0,5W
3303	4822 050 11002	1k 1% 0,4W
3304	4822 052 10108	△ 1R 5% 0,33W
3305	4822 116 83876	270R 5% 0,5W
3306	4822 116 83876	270R 5% 0,5W
3320	4822 116 83884	47k 5% 0,5W
3321	4822 116 52234	100k 5% 0,5W
3322	4822 050 21003	10k 1% 0,6W
3324	4822 116 52234	100k 5% 0,5W
3325	4822 050 23303	33k 1% 0,6W
3326	4822 116 83872	220R 5% 0,5W
3327	4822 050 21003	10k 1% 0,6W
3328	4822 050 11002	1k 1% 0,4W
3329	4822 050 21003	10k 1% 0,6W
3330	4822 116 52234	100k 5% 0,5W
3331	4822 116 52234	100k 5% 0,5W
3332	4822 116 52257	22k 5% 0,5W
3333	4822 050 11002	1k 1% 0,4W
3334	4822 116 52276	3k9 5% 0,5W
3335	4822 116 52207	1k2 5% 0,5W
3336	4822 116 52291	56k 5% 0,5W
3337	4822 116 52228	680R 5% 0,5W
3338	4822 116 52249	1k8 5% 0,5W
3339	4822 050 11002	1k 1% 0,4W
3342	4822 116 52291	56k 5% 0,5W
3343	4822 116 52291	56k 5% 0,5W
3344	4822 116 52186	22R 5% 0,5W

ELECTRICAL PARTS LIST - LEFT/RIGHT AMPLIFIER & SUPPLY BOARD

3345	4822 052 10331	△ 330R 5% 0,33W
3346	4822 052 10331	△ 330R 5% 0,33W
3347	4822 116 52231	820R 5% 0,5W
3348	4822 053 10152	1k5 5% 1W
3349	4822 053 10152	1k5 5% 1W
3350	2322 194 96001	△ RST MFLM PR02 A0R33 PM5
3351	2322 194 96001	△ RST MFLM PR02 A0R33 PM5
3352	2322 194 96001	△ RST MFLM PR02 A0R33 PM5
3353	2322 194 96001	△ RST MFLM PR02 A0R33 PM5
3354	4822 116 52226	560R 5% 0,5W
3355	4822 116 52219	330R 5% 0,5W
3356	4822 116 83884	47k 5% 0,5W
3357	4822 116 52243	1k5 5% 0,5W
3358	4822 116 83884	47k 5% 0,5W
3359	2322 194 96001	△ RST MFLM PR02 A0R33 PM5
3360	2322 194 96001	△ RST MFLM PR02 A0R33 PM5
3361	2322 194 96001	△ RST MFLM PR02 A0R33 PM5
3362	2322 194 96001	△ RST MFLM PR02 A0R33 PM5
3363	4822 116 52219	330R 5% 0,5W
3364	4822 116 52226	560R 5% 0,5W
3365	4822 116 83884	47k 5% 0,5W
3366	4822 116 52243	1k5 5% 0,5W
3367	4822 116 83884	47k 5% 0,5W
3368	4822 116 52244	15k 5% 0,5W
3369	4822 116 52244	15k 5% 0,5W
3372	4822 053 10478	4R7 5% 1W
3373	4822 050 21003	10k 1% 0,6W
3375	4822 050 21003	10k 1% 0,6W
3376	4822 053 10478	4R7 5% 1W
3381	4822 116 83884	47k 5% 0,5W
3382	4822 116 83884	47k 5% 0,5W
3392	4822 050 15609	56R 1% 0,4W
3393	4822 116 52291	56k 5% 0,5W
3395	4822 116 52175	100R 5% 0,5W

COILS & FILTERS

5300	2422 536 00615	△ Coil 11,5T 1.0-2UEW 8,0D B
5301	2422 536 00615	△ Coil 11,5T 1.0-2UEW 8,0D B

DIODES

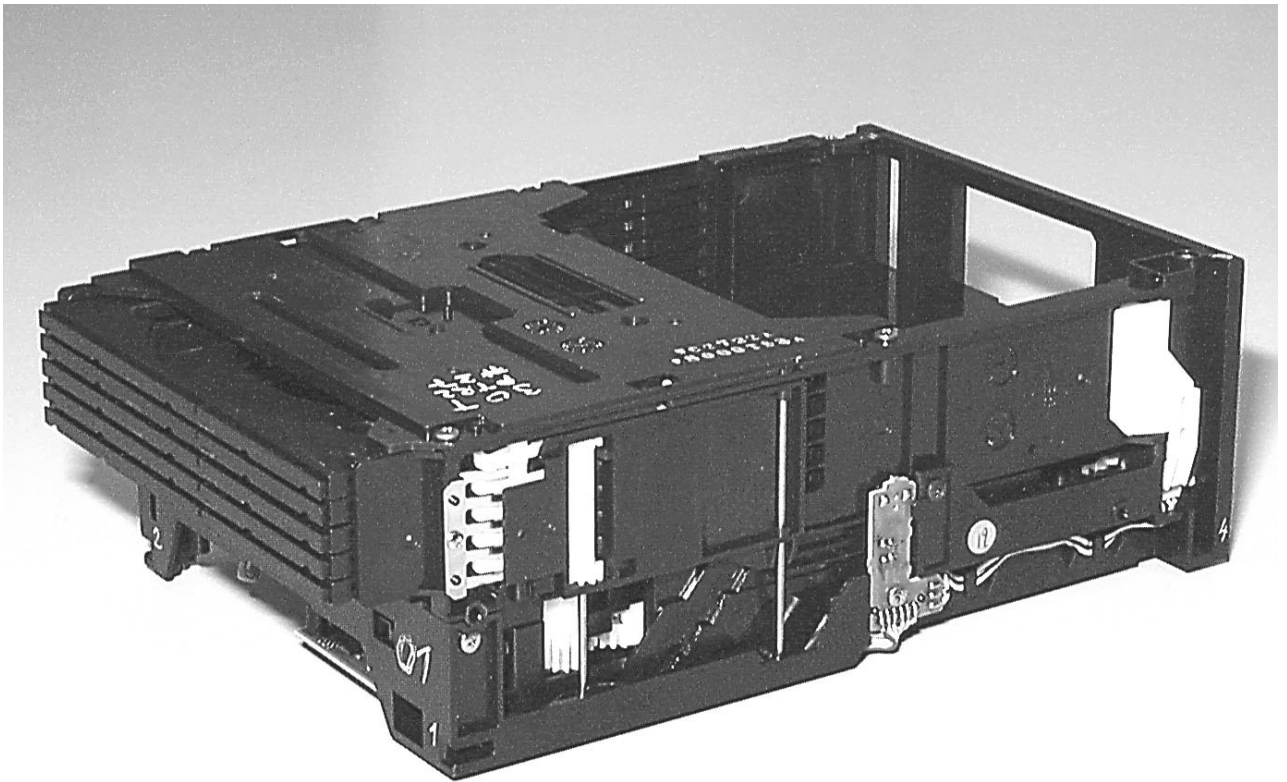
6250	4822 130 34281	BZX79-C15
6251	4822 130 61219	BZX79-B10
6253	4822 130 30621	1N4148
6254	4822 130 31878	1N4003G
6256	4822 130 30621	1N4148
6257	4822 130 30621	1N4148
6258	4822 130 34173	BZX79-B5V6
6259	4822 130 34278	BZX79-C6V8
6260	4822 130 30621	1N4148
6263	4822 130 30621	1N4148
6265	4822 130 34233	BZX79-C5V1
6320	4822 130 30621	1N4148

6321	5322 130 31504	BZX79-C3V3
6322	4822 130 30621	1N4148
6323	4822 130 30621	1N4148
6324	4822 130 34281	BZX79-B15
6332	4822 130 34281	BZX79-B15
6360	4822 130 34281	BZX79-B15

TRANSISTORS & INTEGRATED CIRCUITS

7250	9322 139 23687	BDX53BFP
7251	4822 130 40959	BC547B
7253	4822 130 40959	BC547B
7257	4822 209 31841	L7805CP
7259	4822 130 40981	BC337-25
7260	4822 130 40959	BC547B
7261	4822 130 44568	BC557B
7262	4822 130 40959	BC547B
7263	4822 130 40959	BC547B
7300	4822 130 41246	BC327-25
7320	4822 130 41691	BC556B
7321	4822 130 44461	BC546B
7322	4822 130 44461	BC546B
7323	4822 130 44461	BC546B
7324	4822 130 41691	BC556B
7325	4822 130 44461	BC546B
7326	9322 180 27682	STK412-030I
7327	4822 130 41691	BC556B
7328	4822 130 41691	BC556B

Note : Only the parts mentioned in this list are normal service spare parts.



5DTC Module

(Basic version)

Layout stage .4

TABLE OF CONTENTS

Service hints	10-2
Location of Printed Circuit Boards	10-5
Wiring	10-6
Emergency opening	10-7
Location of switches.....	10-8
Blockdiagram	10-9
CD BOARD	
Circuit Diagram	10-10
Component Layout side A	10-11
Component Layout side B	10-12
CONTROL BOARD	
Circuit Diagram	10-13
Component Layout	10-13
Exploded view loader	10-14
Partslist	10-15

Service Hints

In case of symptom „skipping tracks“ perform following actions:

1. VERIFY THE COMPLAINT

PLAYABILITY CHECK

Use CDDA SBC 444A:4822 397 30245
 TR 14 (600µ black dot) maximum at 01:15
 TR 19 (fingerprint)
 TR 10 (1000µ wedge)

Use CD-RW Printed Audio Disk7104 099 96611
 TR 3 (Fingerprint)
 TR 8 (600µ black dot) maximum at 01:00

- playback of all these tracks without audible disturbance
- jump forward/backward within a reasonable time

2. CLEAN THE LENS

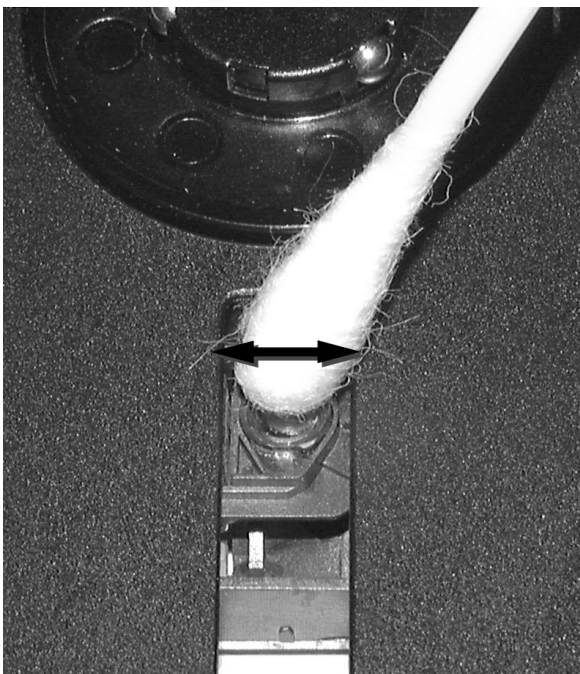
CD DRIVE – LENS CLEANING

Before touching the lens it is advised to clean the surface of the lens by blowing clean air over it in order to avoid that little particles make scratches on the lens.

Because the material of the lens is synthetic and coated with a special anti-reflectivity layer, cleaning must be done with a non-aggressive cleaning fluid. It is advised to use “KODAK LENS CLEANER CAT 176 71 36”, available in normal photo shops.

The actuator is a very precise mechanical component and may not be damaged in order to guarantee its full function. It is advised to clean the lens gently (don't press too hard) with a soft and clean cotton bud moistened with the special lens cleaner.

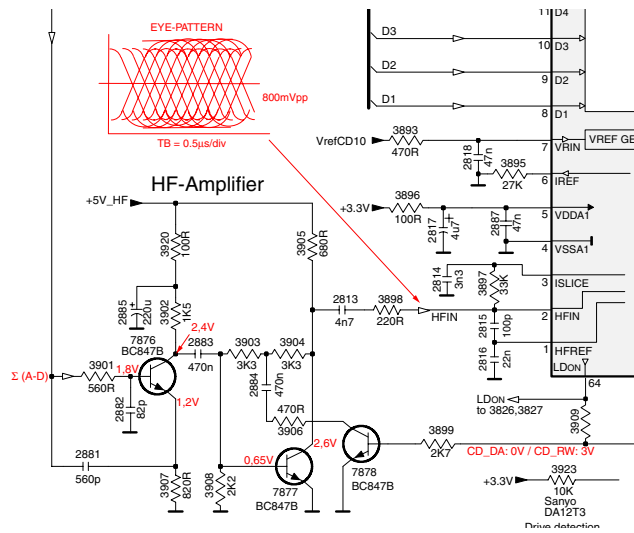
The direction of cleaning must be in the way as indicated in the picture below.



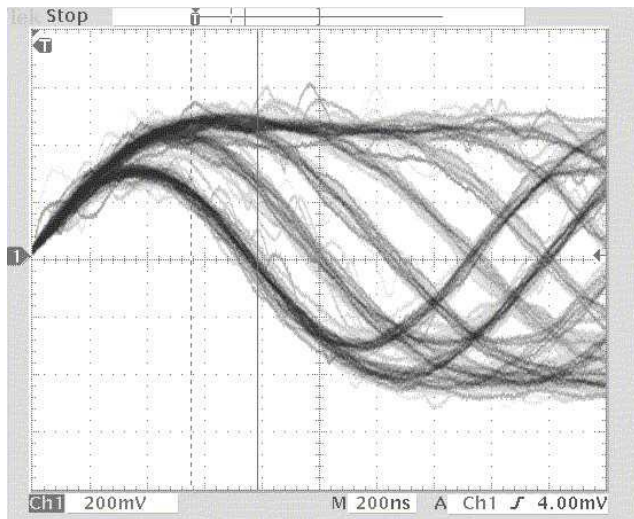
3. MEASURE THE EYE-PATTERN SIGNAL

EYE-PATTERN SIGNAL – JITTER MEASUREMENT

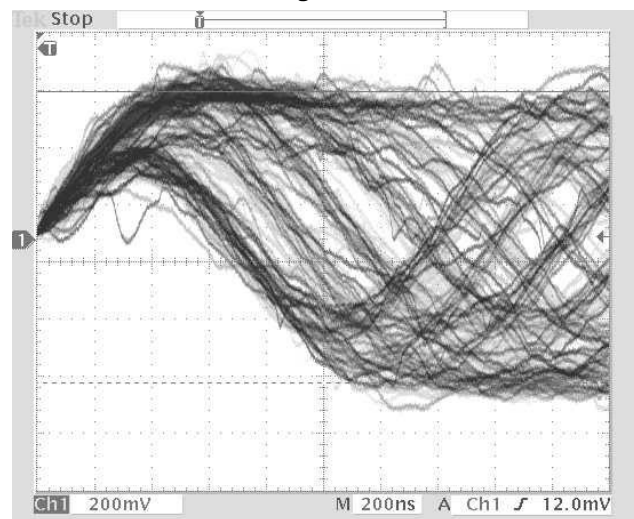
Measure the signal direct on resistor 3898 using an oscilloscope (see also chapter 10-9).



See below examples of the signal. Amplitude should read at least 700mVpp using SBC444A.



good



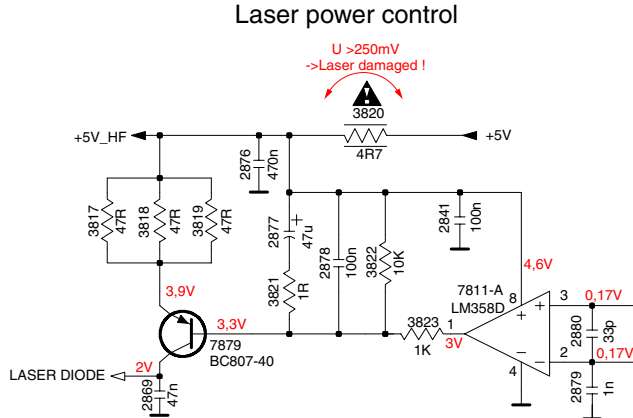
bad

If the oscilloscope shows a signal like the 'bad' one, and/or the amplitude decreases within 1minute - the CD drive has to be replaced.

4. MEASURE THE LASER CURRENT

CD DRIVE – LASER CURRENT MEASUREMENT

The laser current can be measured as a voltage drop on resistor 3820. Typical value 170 - 190mV for CD-DA respectively 200 - 220mV for CD-RW.



5. MEASURE THE OFFSETS OF THE CD-DRIVE

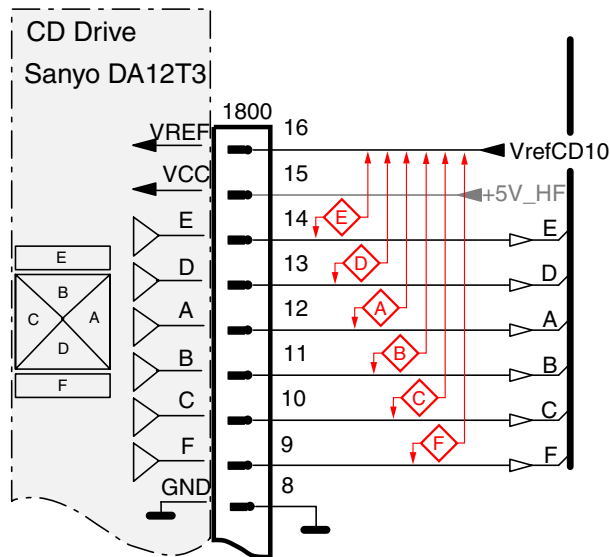
CD DRIVE – OFFSET MEASUREMENT

Each photodiode of the CD-drive may have an offset. This offset has to be compensated by the signal processor. A high offset of the CD-drive leads to poor playability of some CDs (skipping tracks).

Start the **Service Test Program** - section „Focus Test“ without a CD. Focus sensitivity = CD-RW.

Use a DC Millivoltmeter for measurement. The offsets can be measured direct on the connector. See drawing below.

The values from diode A-D should read $0 \pm 10mV$. Diodes E and F are less critical.



If one of the offsets is higher than $\pm 10mV$ the CD drive has to be replaced.

6. MEASURE THE OFFSETS OF THE CD10

SIGNAL PROCESSOR – OFFSET MEASUREMENT

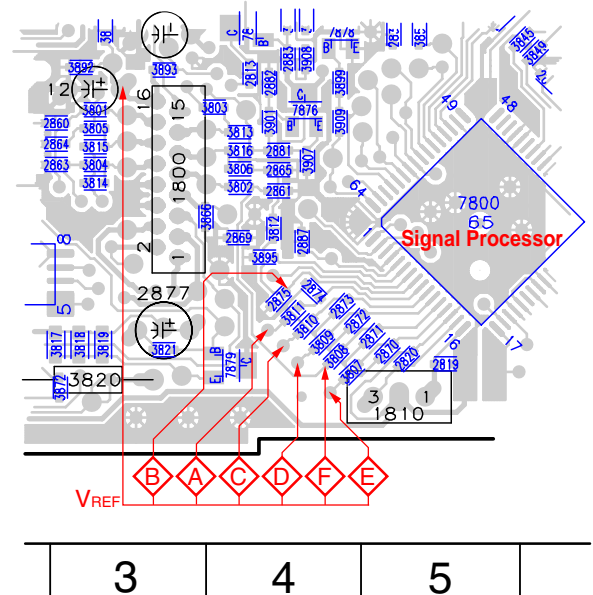
Each ADC input of the CD10 may have an offset too. Also this offset leads (together with the offsets of the CD Drive) to poor playability of some CDs (skipping tracks).

Start the **Service Test Program** - section „Focus Test“ using a CD-RW disc.

Use a DC Millivoltmeter for measurement. The offsets can be measured on capacitors near the signal processor. See drawing below.

The value should read $0mV \pm 10mV$.

CD Board side A view



If one of the offsets is higher than $\pm 10mV$ the signal processor has to be replaced.

If none of the measured offsets is higher than $\pm 10mV$ - replace the part with the higher value.

WARNING

CHARGED CAPACITORS ON THE SERVO BOARD MAY DAMAGE THE CD DRIVE ELECTRONICS WHEN CONNECTING A NEW CDM MECHANISM. THAT'S WHY, BESIDES THE SAFETY MEASURES LIKE

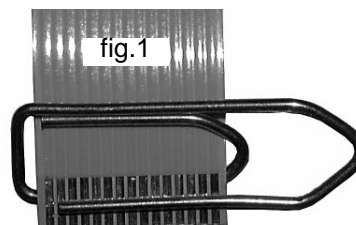
- **SWITCH OFF POWER SUPPLY**
- **ESD PROTECTION**

ADDITIONAL ACTIONS MUST BE TAKEN BY THE REPAIR TECHNICIAN.

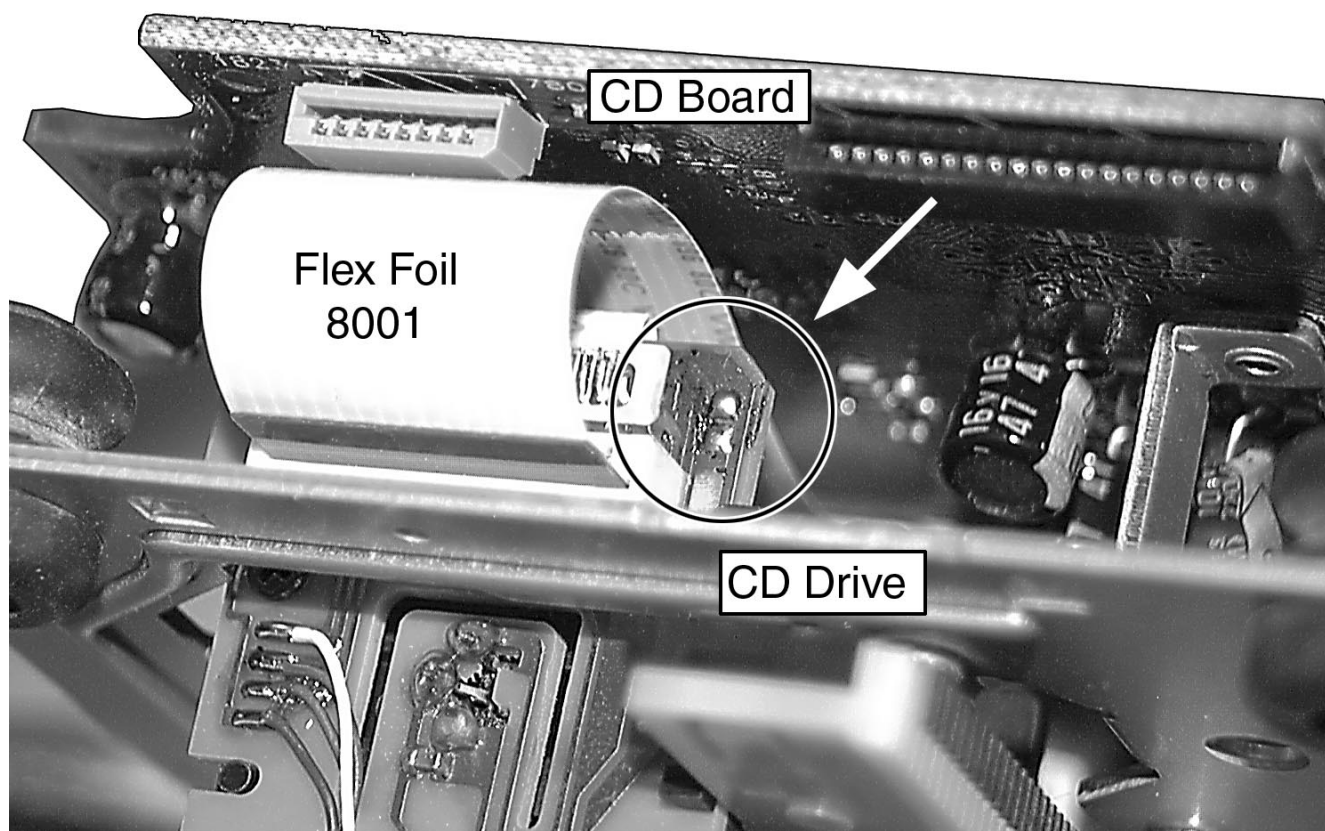
The CD drive forms a compact building block with the CD Board.

The following steps have to be done when replacing the CD mechanism:

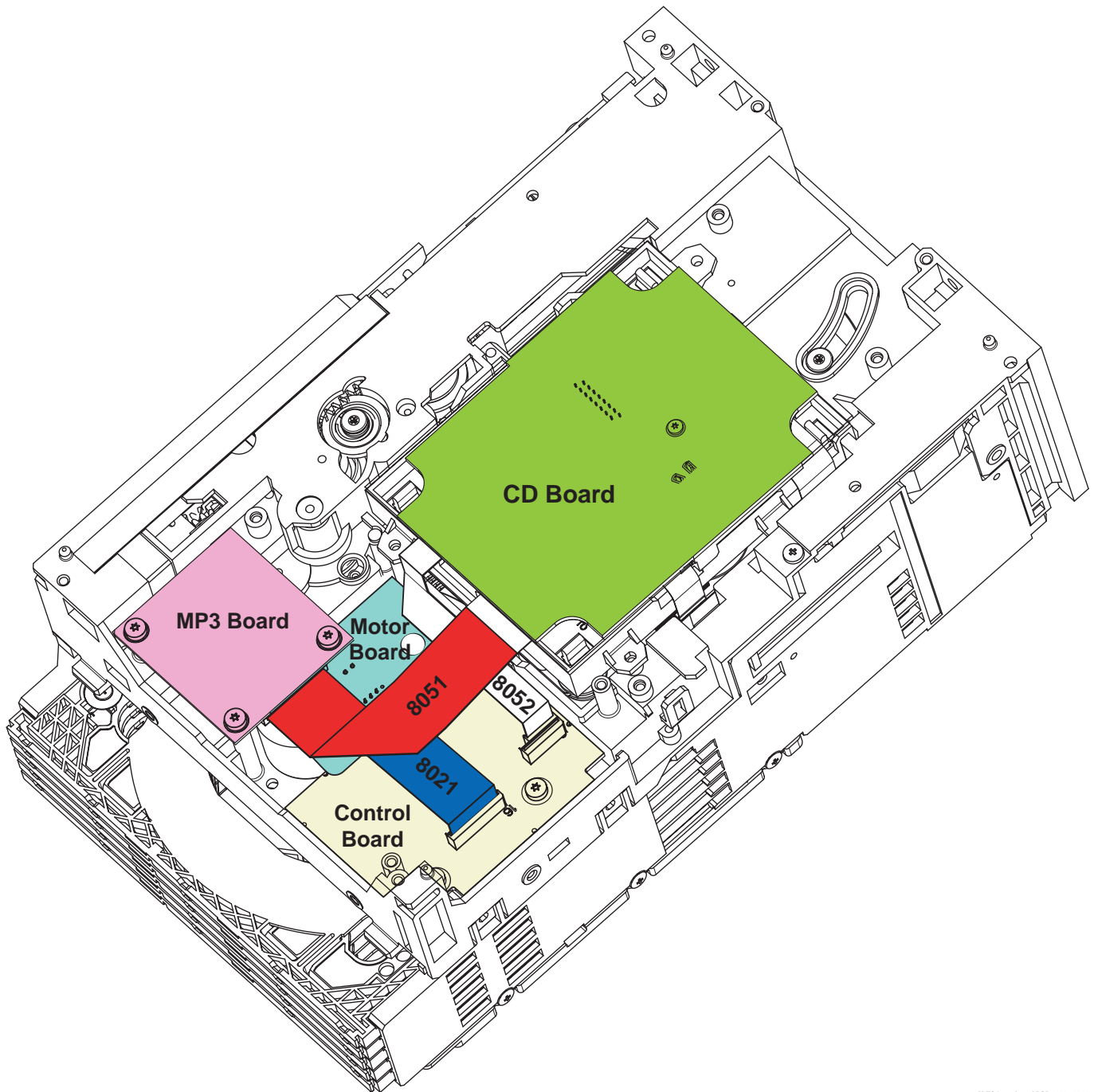
1. Desolder disc and slide motor
2. Loosen 2x screw
1. Disconnect flexfoil from old CD drive
2. Put a paperclip over contacts of flexfoil to short-circuit the contacts (fig.1)
3. Remove old CD drive
4. Mount new CD drive to CD board
5. Solder disc and slide motor **after** fixing the drive to the board
5. Move slide outside
6. Remove paperclip from flexfoil
7. Connect flexfoil to new CD drive
8. Remove ESD-protection (solder joint) from laserunit (see picture below)



Attention: The laser diode of this CD drive is protected against ESD by a solder joint which shortcircuits the laserdiode to ground. For proper functionality of the CD drive this solder joint must be removed **after** connection the drive to the set.



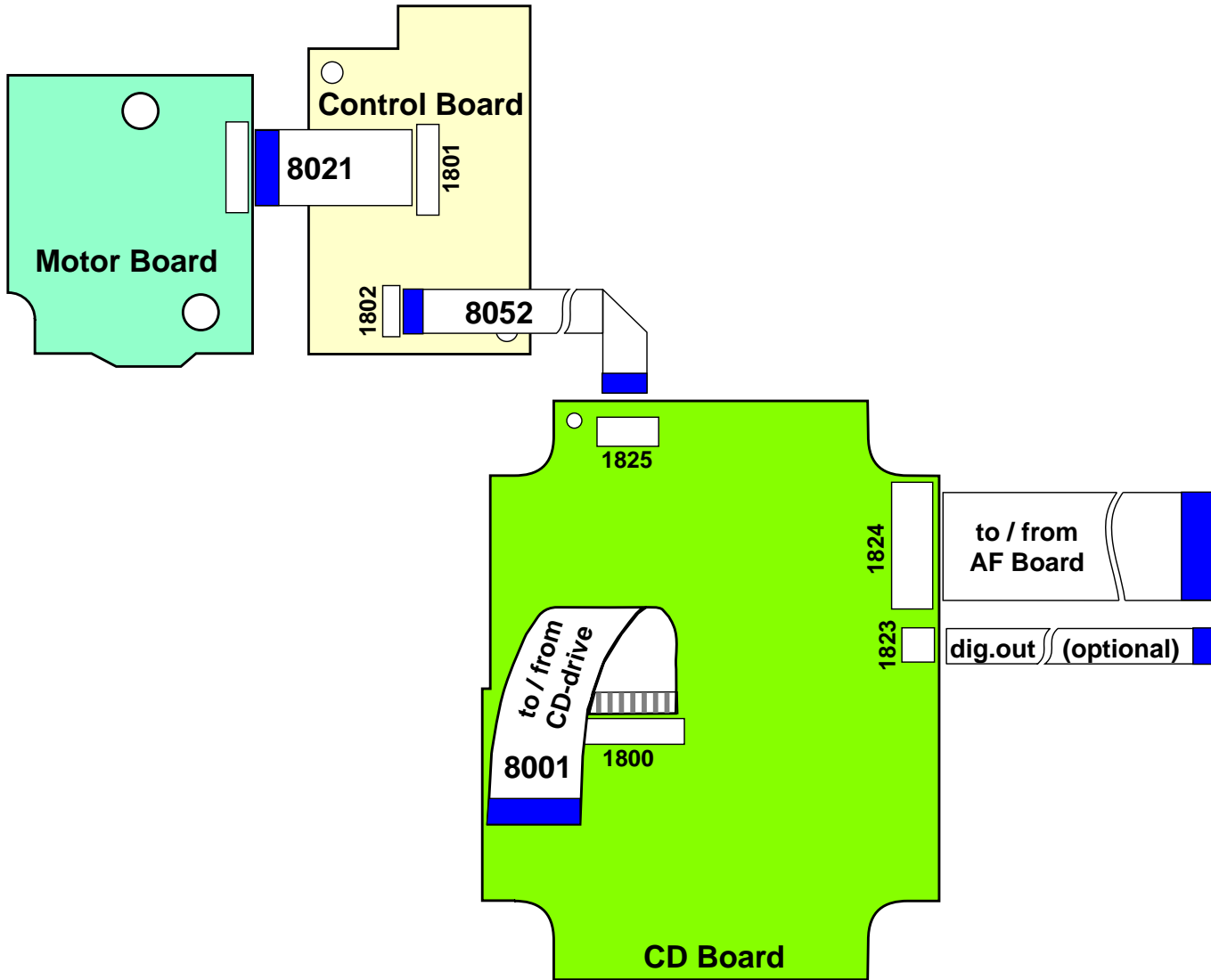
Location of Printed Circuit Boards



SDTC Location of PCBs 2002 08 29

MP3 Board and flexfoil cable 8051 not stuffed.

Wiring Diagram 5DTC Module



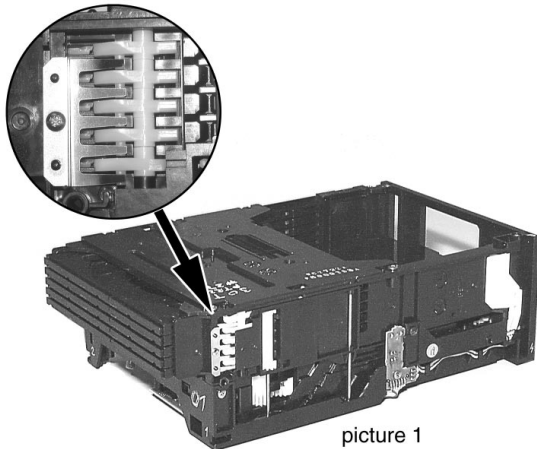
5DTC Wiring Diagram CD Version 2002 10 14

The FFC-Cables are available as sparepart.

8001	3103 308 93090	FFC CABLE 16Pin 80mm BD	Connection from CD Board to CD Drive
8052	3103 308 93120	FFC CABLE 8Pin 80mm BD	Connection from CD Board to Control Board
8021	3103 308 93110	FFC-CABLE 16Pin 60mm AD	Connection from Control Board to Motor Board

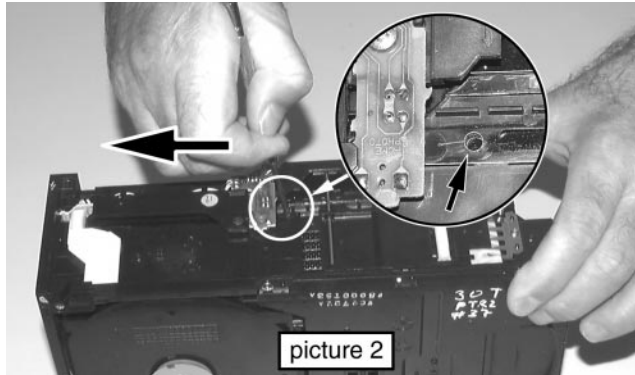
Emergency opening of the trays

The trays of the 5DTC are mechanically locked.



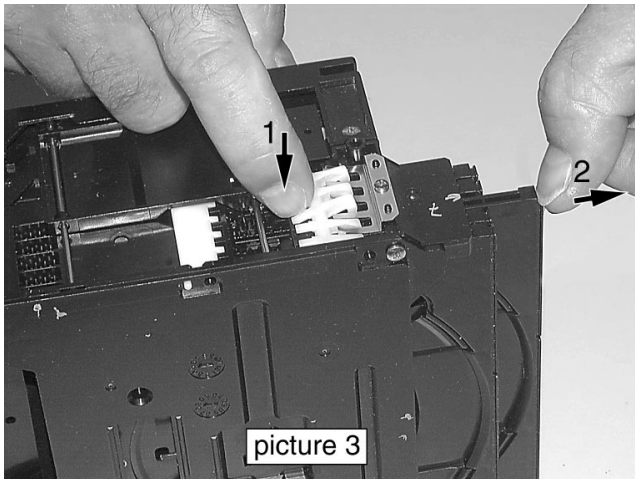
picture 1

To open tray 1, 2 and 3 move lever (pos 29) backwards (e.g. with a screwdriver - see picture 2) to its endposition.



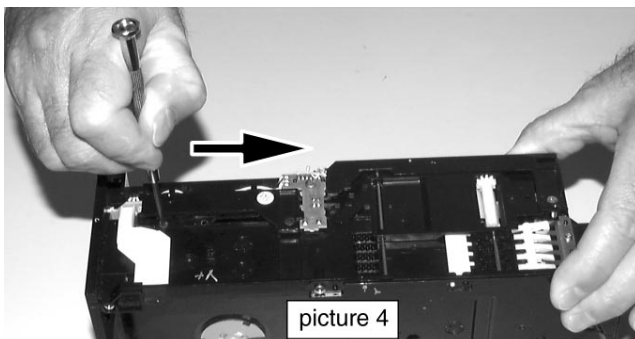
picture 2

Release the locking mechanism and pull out the tray (see picture 3).



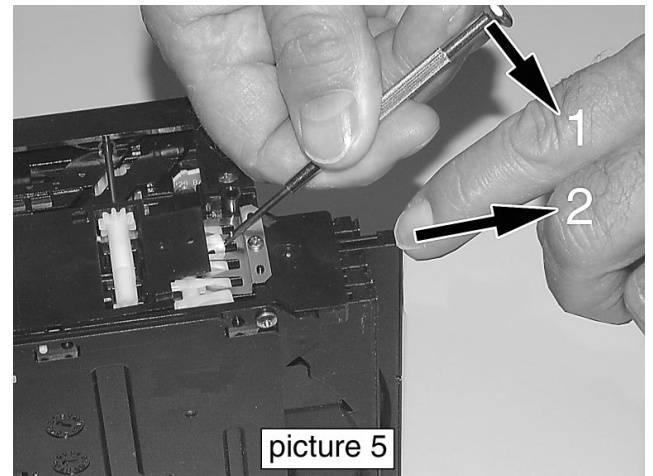
picture 3

To open tray 4 and 5 move lever (pos 29) forward to its endposition (see picture 4).



picture 4

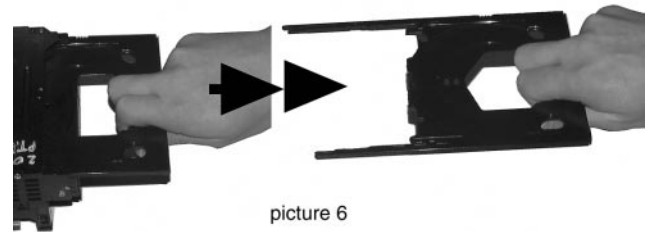
Release snap as shown in picture 5 and pull tray out.



picture 5

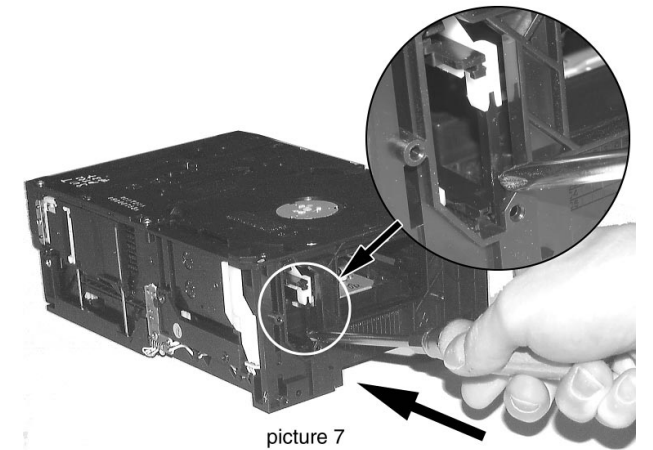
To remove a CD from Play Position perform following steps:

1. Open tray 1 as described before.
2. Tear the tray out with speed (see picture 6). The tray can be inserted afterwards without any alignment.



picture 6

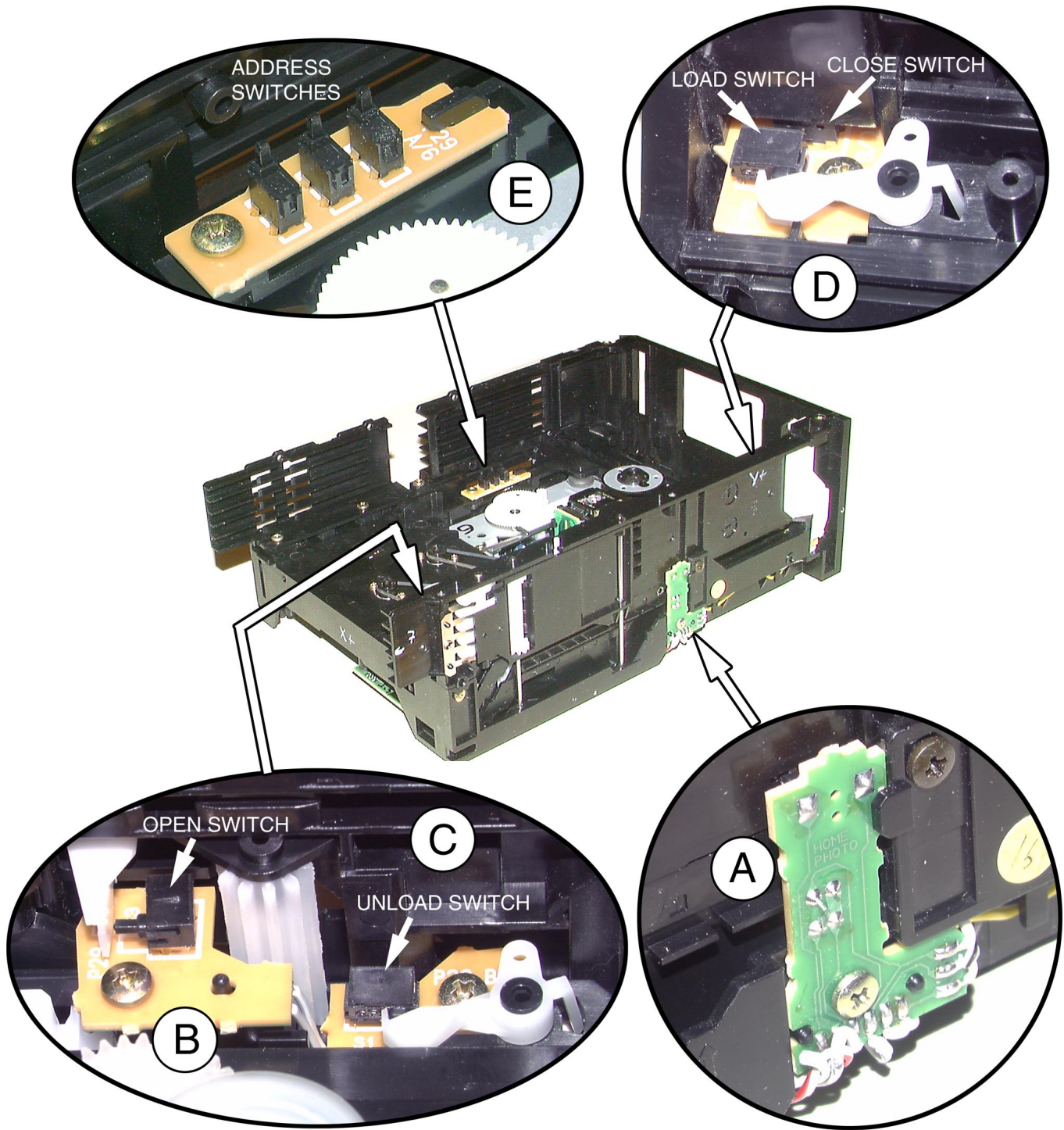
3. Move lever (pos 29) forward to its endposition (see picture 4).
4. Push lever (pos 31) forward (see picture 7).



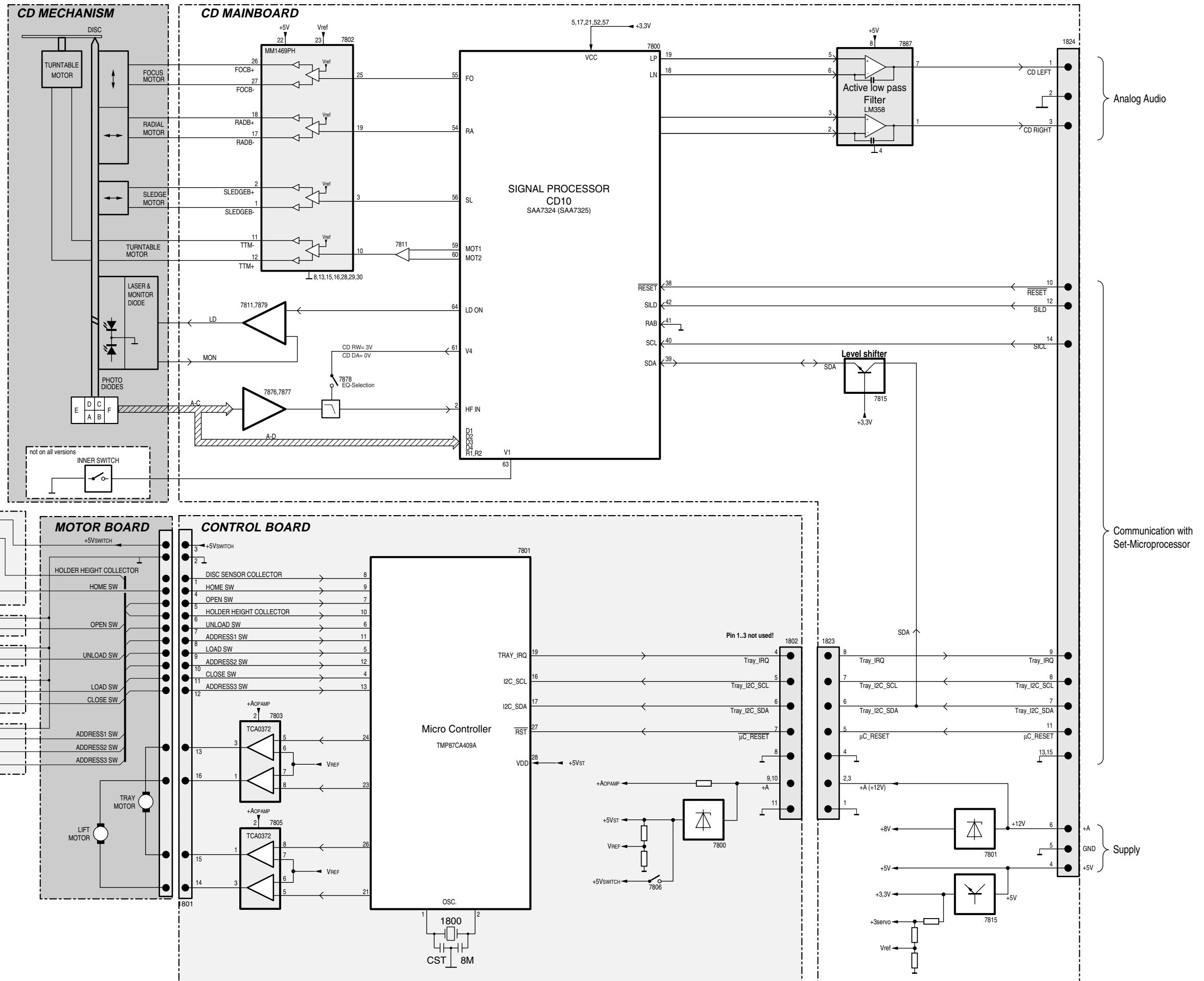
picture 7

5. Remove CD.

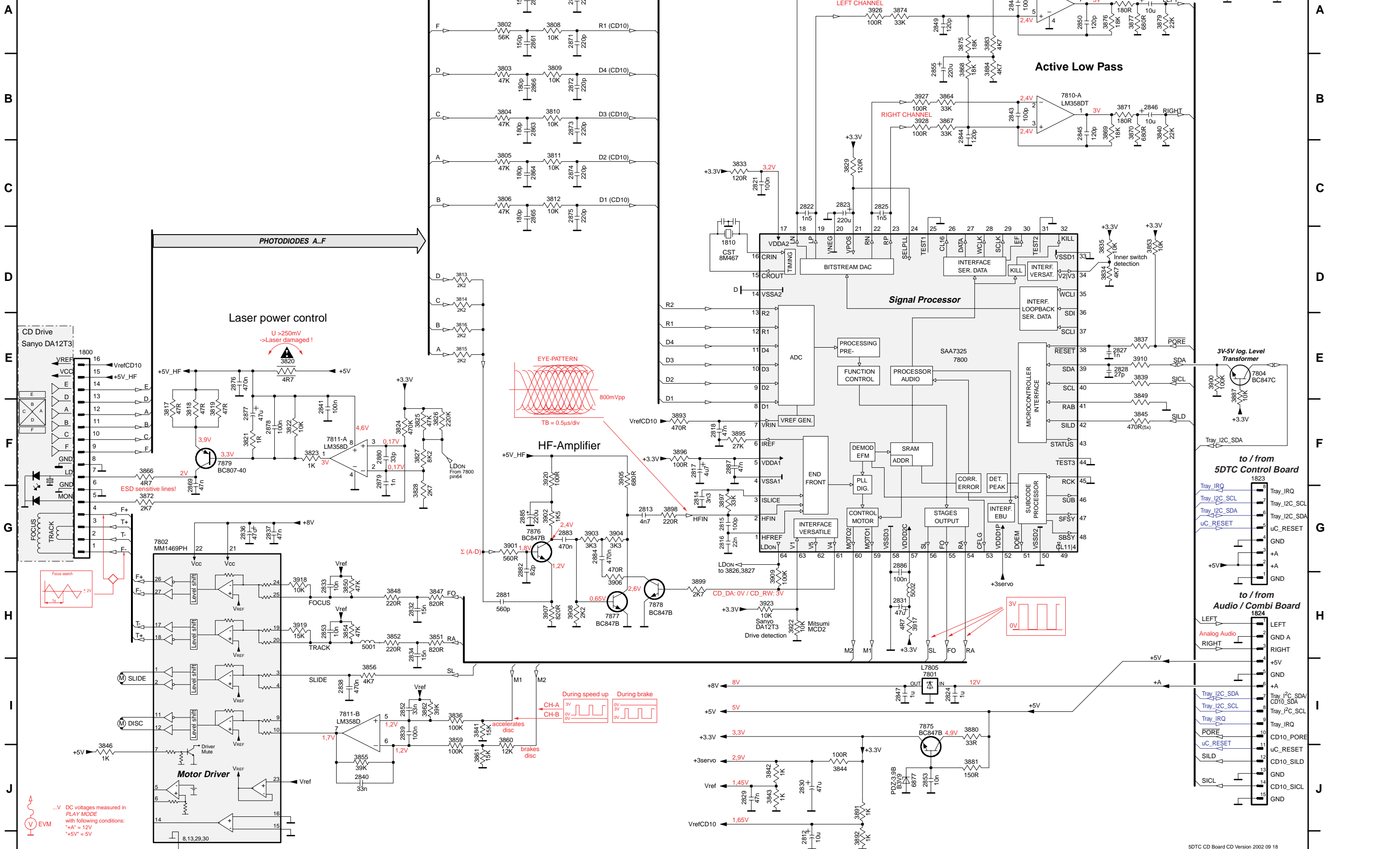
Location of switches



BLOCK DIAGRAM 5DTC CD Version



5DTC CD BOARD



...V DC voltages measured in PLAY MODE with following conditions:
 *+A = 12V
 *+5V = 5V

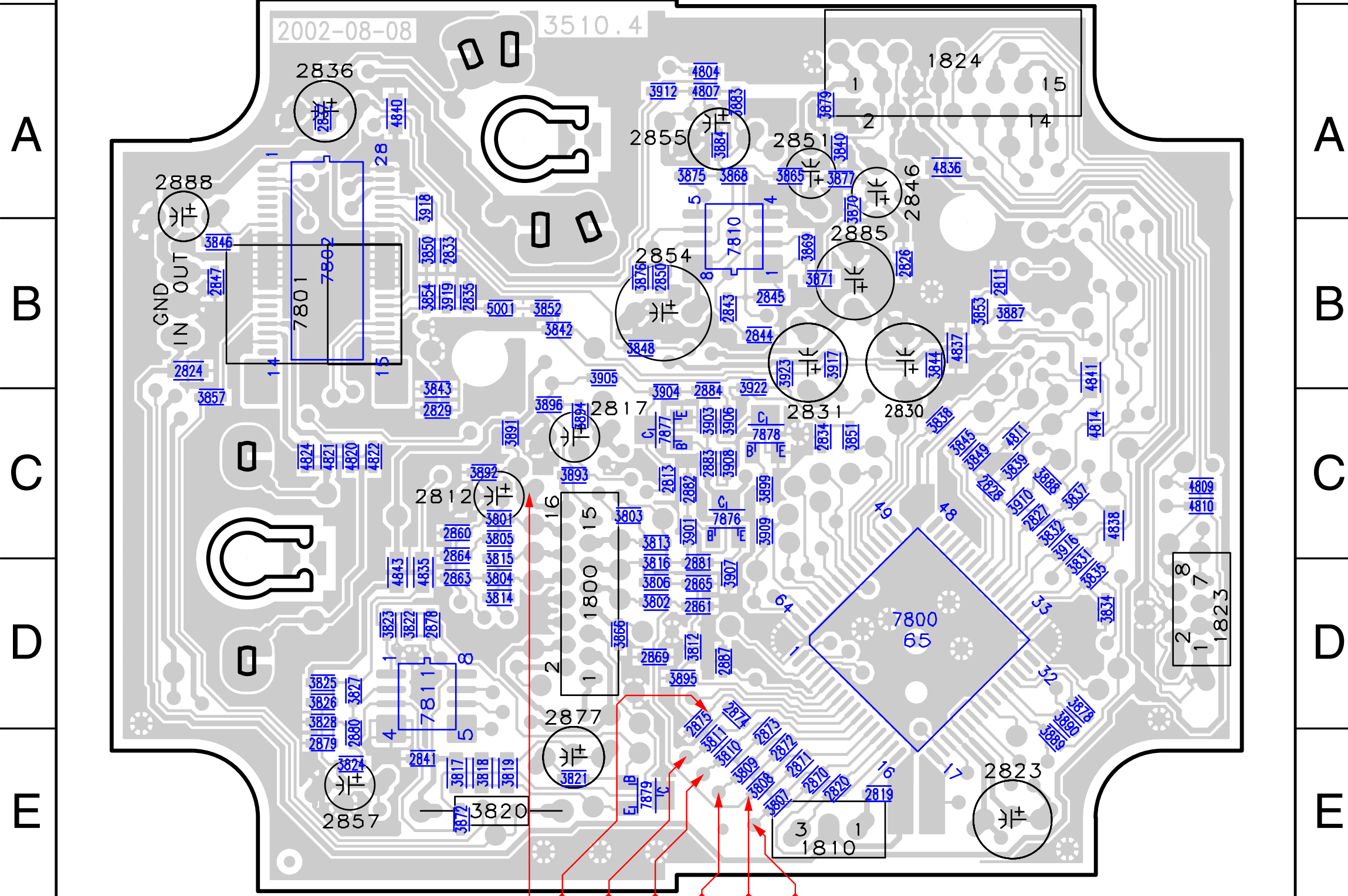
MAPPING FOR
CIRCUIT DIAGRAM

1800	E1	3834	D13
1810	D9	3835	D13
1823	F15	3836	I6
1824	H15	3837	E14
2187	F9	3839	E14
2812	J10	3840	B14
2813	G8	3841	I6
2814	G9	3842	J9
2815	G9	3843	J9
2816	G9	3844	J10
2817	F9	3845	F14
2818	F9	3846	J1
2821	C9	3847	H5
2822	C10	3848	H5
2823	C10	3849	F14
2824	I12	3850	H4
2825	C11	3851	H5
2826	A15	3852	H5
2827	E13	3853	D14
2828	E13	3854	H4
2829	J9	3855	J4
2830	J10	3856	I5
2831	H11	3859	I6
2832	H5	3860	I6
2833	H4	3861	J6
2834	H5	3862	I5
2836	G3	3864	B11
2837	G3	3865	A14
2838	I4	3866	F2
2839	I5	3867	B11
2840	J4	3868	B12
2841	F4	3869	B13
2843	B12	3870	B14
2844	B12	3871	B14
2845	B13	3872	G2
2846	B14	3873	A11
2847	I11	3874	A11
2848	A12	3875	A12
2849	A11	3876	A13
2850	A13	3877	A14
2851	A14	3879	A14
2852	I5	3880	I12
2853	H4	3881	J12
2853	J11	3883	A12
2854	A12	3884	B12
2855	B11	3887	E15
2860	A6	3891	J10
2861	A6	3892	J10
2863	B6	3893	F8
2864	C6	3895	F9
2865	C6	3896	F8
2866	B6	3897	G9
2869	F2	3898	G8
2870	A7	3899	H8
2871	A7	3900	E15
2872	B7	3901	G6
2873	B7	3902	G7
2874	C7	3903	G7
2875	C7	3904	G8
2876	E3	3905	F8
2877	F3	3906	H8
2878	F3	3907	H7
2879	F5	3908	H7
2880	F5	3909	H9
2881	H6	3910	E14
2882	G6	3912	A11
2884	G7	3917	H11
2885	G6	3918	H4
2886	G11	3919	H4
2893	G7	3920	F7
3801	A6	3922	H10
3802	A6	3923	H9
3803	B6	3925	A11
3804	B6	3926	A11
3805	C6	3927	B11
3806	C6	3928	B11
3807	A7	5001	H5
3808	A7	5002	H11
3809	B7	6877	J11
3810	B7	7800	D11
3811	C7	7801	I11
3812	C7	7802	G2
3813	D6	7804	E15
3814	D6	7810-A	B13
3815	E6	7810-B	A13
3816	E6	7811-A	F4
3817	F2	7811-B	I4
3818	F2	7875	I11
3819	F3	7876	G7
3820	E4	7877	H8
3821	F3	7878	H8
3822	F4	7879	F3
3823	F4		
3824	F5		
3825	F5		
3826	F5		
3827	F5		
3828	G5		
3829	C10		
3833	C9		

MAPPING FOR
COMPONENT LAYOUT

1800	D3	3851	C5
1810	E5	3852	B3
1823	D7	3853	B6
1824	A5	3854	B2
2811	B6	3857	C1
2812	C3	3865	A4
2813	C4	3866	D3
2817	C3	3868	A4
2819	E5	3869	B5
2820	E5	3870	A5
2823	E6	3871	B5
2824	B1	3872	E3
2826	B5	3875	A4
2827	C6	3876	B4
2828	C6	3877	A5
2829	C2	3878	D6
2830	B5	3879	A5
2831	B5	3883	A4
2833	B2	3884	A4
2834	C5	3887	B6
2835	B3	3888	C6
2836	A2	3889	E6
2837	A2	3890	E6
2841	E2	3891	C3
2843	B4	3892	C3
2844	B4	3893	C3
2845	B4	3894	C3
2846	A5	3895	D4
2847	B1	3896	C3
2850	B4	3899	C4
2851	A5	3901	C4
2854	B4	3903	C4
2855	A4	3904	C4
2857	E2	3905	B3
2860	C3	3906	C4
2861	D4	3907	D4
2863	D3	3908	C4
2864	D3	3909	C4
2865	D4	3910	C6
2869	D4	3912	A4
2870	E5	3916	C6
2871	E5	3917	B5
2872	E4	3918	A2
2873	E4	3919	B2
2874	D4	3922	C4
2875	E4	3923	B4
2877	D3	4804	A4
2878	D2	4807	A4
2879	E2	4809	C7
2880	E2	4810	C7
2881	D4	4811	C6
2882	C4	4814	C6
2883	C4	4820	C2
2884	C4	4821	C2
2885	B5	4822	C2
2887	D4	4824	C2
2888	A1	4835	D2
3801	C3	4836	A5
3802	D4	4837	B5
3803	C4	4838	C6
3804	D3	4840	A2
3805	C3	4841	B6
3806	D4	4843	D2
3807	E4	5001	B3
3808	E4	7800	C6
3809	E4	7801	B2
3810	E4	7802	B2
3811	E4	7810	B4
3812	D4	7811	D2
3813	C4	7876	C4
3814	D3	7877	C4
3815	D3	7878	C4
3816	D4	7879	E4
3817	E3		
3818	E3		
3819	E3		
3820	E3		
3821	E3		
3822	D2		
3823	D2		
3824	E2		
3825	D2		
3826	D2		
3827	D2		
3828	D2		
3831	D6		
3832	C6		
3834	D6		
3835	D6		
3837	C6		
3838	C5		
3839	C6		
3840	A5		
3842	B3		
3843	C2		
3844	B5		
3845	C6		
3846	B1		
3848	B4		
3849	C6		
3850	B2		

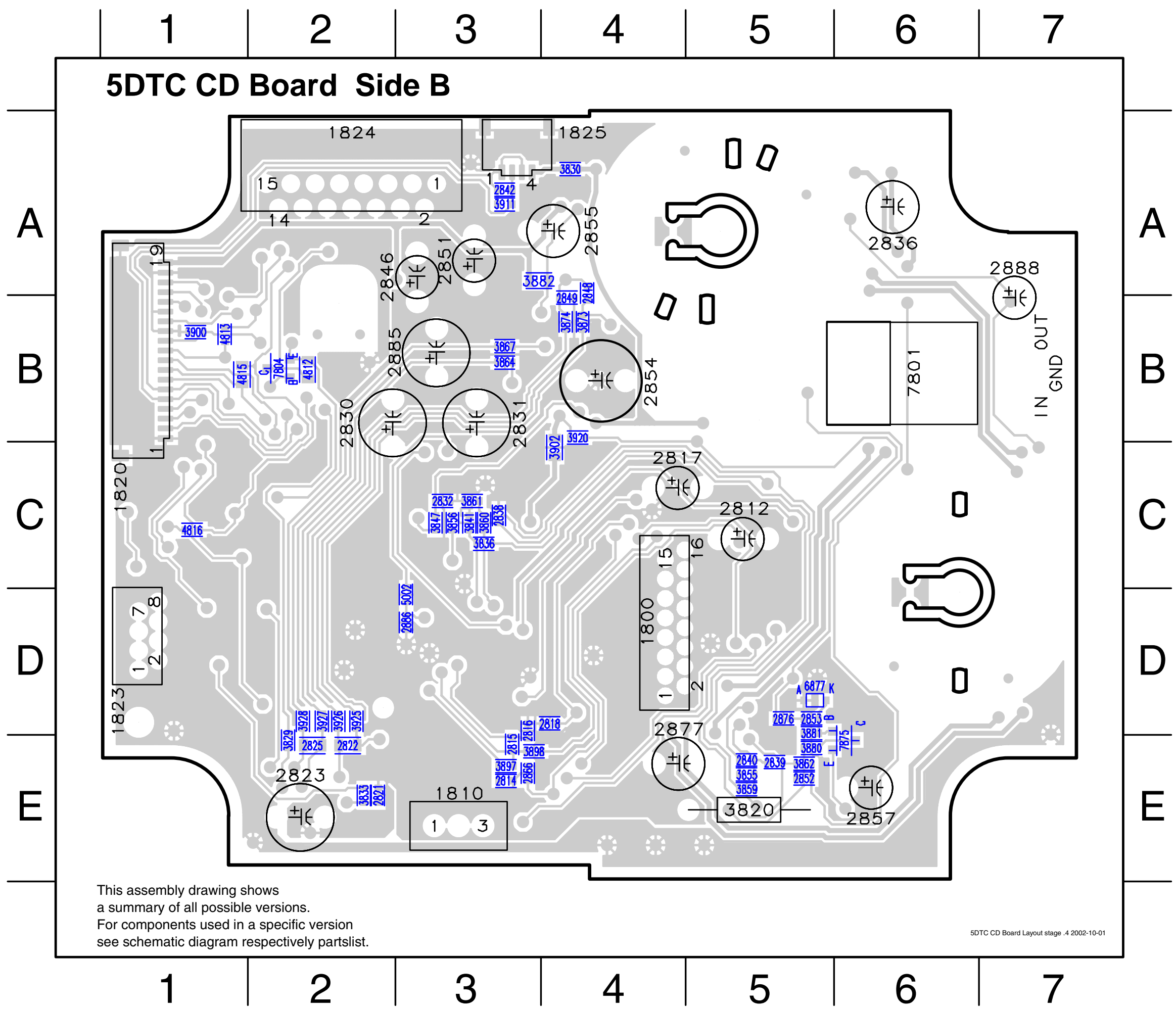
5DTC CD Board Side A



This assembly drawing shows a summary of all possible versions. For components used in a specific version see schematic diagram respectively partslist.

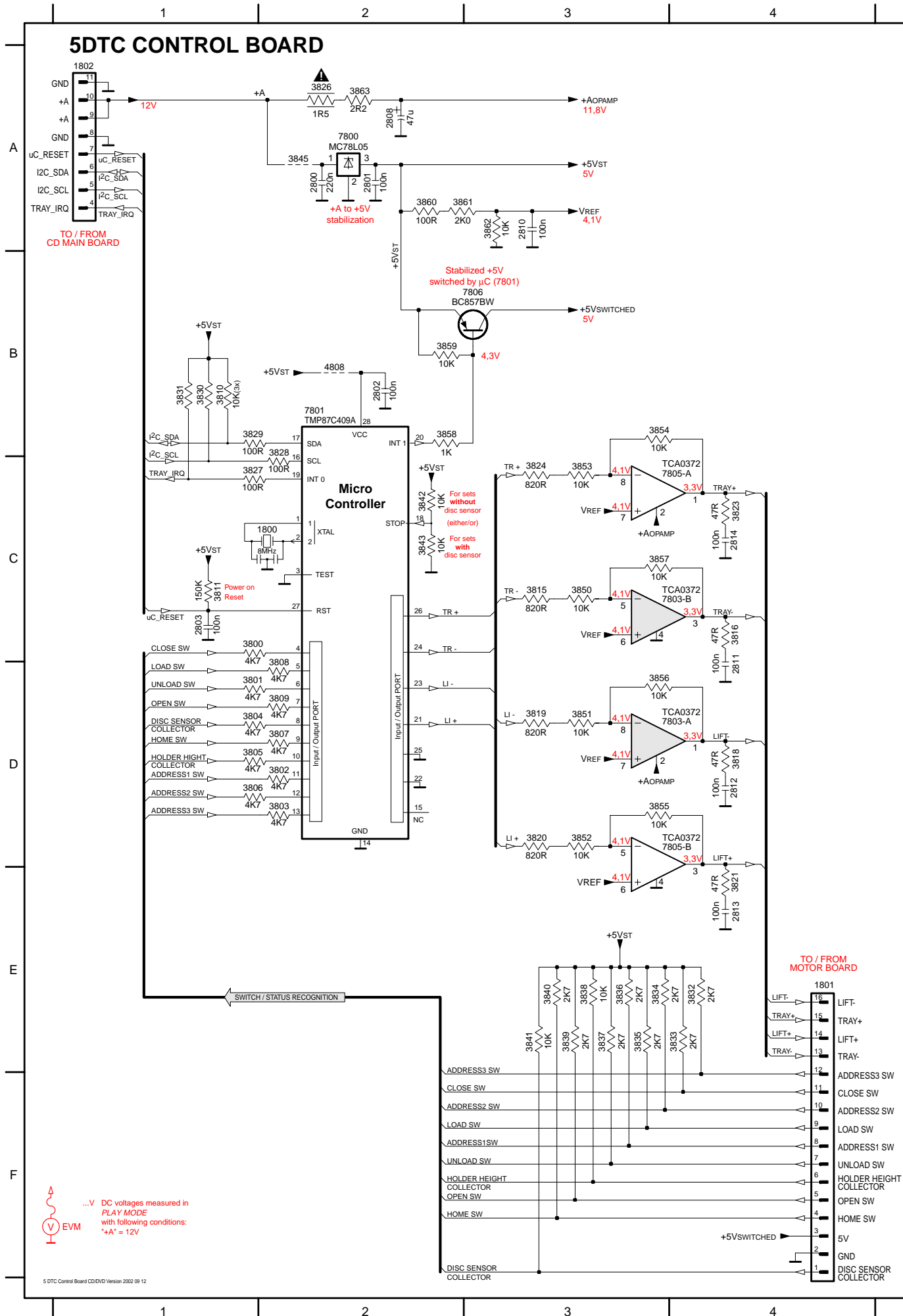


5DTC CD Board Side B



- 1800 D5
- 1810 E3
- 1820 C1
- 1823 D1
- 1824 A3
- 1825 A4
- 2812 C5
- 2814 E4
- 2815 E4
- 2816 D4
- 2817 C5
- 2818 D4
- 2821 E3
- 2822 E3
- 2823 E2
- 2825 E2
- 2830 B2
- 2831 B4
- 2832 C3
- 2836 A6
- 2838 C4
- 2839 E5
- 2840 E5
- 2842 A4
- 2846 A3
- 2848 A4
- 2849 B4
- 2851 A3
- 2852 E6
- 2853 D6
- 2854 B5
- 2855 A4
- 2857 E6
- 2866 E4
- 2876 D5
- 2877 D5
- 2885 B3
- 2886 D3
- 2888 A7
- 3820 E5
- 3829 E2
- 3830 A4
- 3833 E3
- 3836 C3
- 3841 C3
- 3847 C3
- 3855 E5
- 3856 C3
- 3859 E5
- 3860 C3
- 3861 C3
- 3862 E6
- 3864 B4
- 3867 B4
- 3873 B4
- 3874 B4
- 3880 E6
- 3881 D6
- 3882 A4
- 3897 E4
- 3898 E4
- 3900 B1
- 3902 C4
- 3911 A4
- 3920 B4
- 3925 D3
- 3926 D2
- 3927 D2
- 3928 D2
- 4812 B2
- 4813 B2
- 4815 B2
- 4816 C1
- 5002 D3
- 6877 D6
- 7801 B6
- 7804 B2
- 7875 E6

This assembly drawing shows a summary of all possible versions. For components used in a specific version see schematic diagram respectively partslist.

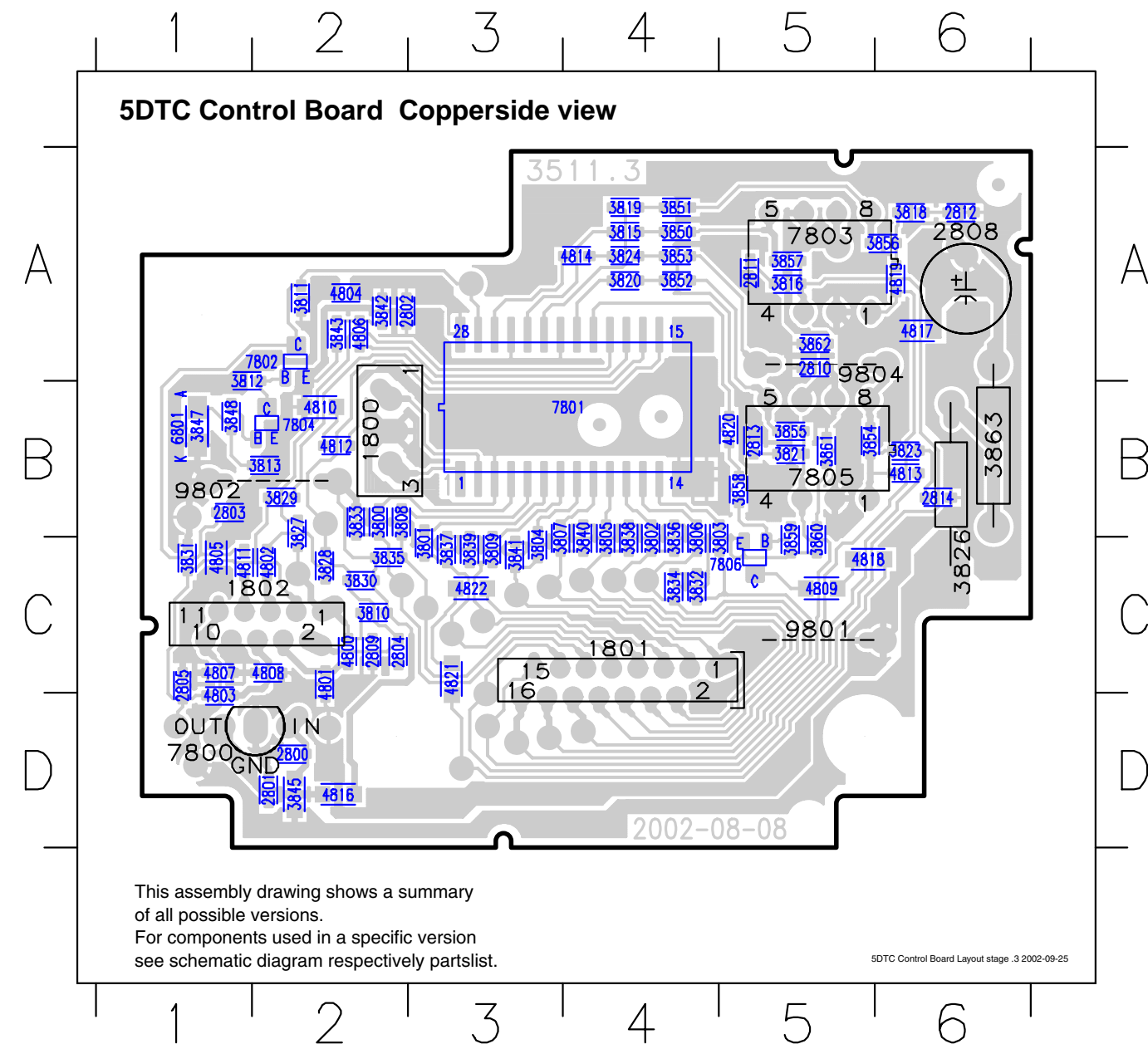


MAPPING FOR CIRCUIT DIAGRAM

1800	C2	2810	A3	3804	D1	3811	C1	3824	C3	3833	E4	3841	E3	3854	B3	3862	A3	7805-B	D3
1801	E4	2811	D4	3805	D1	3815	C3	3826	A2	3834	E3	3842	C2	3855	D3	3863	A2	7806	B3
1802	A1	2812	D4	3806	D1	3816	C4	3827	C1	3835	E3	3843	C2	3856	D3	3868	B2		
2800	A2	2813	E4	3807	D2	3818	D4	3828	C2	3836	E3	3845	A2	3857	C3	7800	A2		
2801	A2	2814	C4	3808	D1	3819	D3	3829	B1	3837	E3	3850	C3	3858	B2	7801	B2		
2802	B2	3800	C1	3808	D2	3820	D3	3830	B1	3838	E3	3851	D3	3859	B3	7803-A	D3		
2803	C1	3802	D2	3809	D2	3821	E4	3831	B1	3839	E3	3852	D3	3860	A2	7803-B	C3		
2808	A2	3803	D2	3810	B1	3823	C4	3832	E4	3840	E3	3853	C3	3861	A2	7805-A	C3		

MAPPING FOR COMPONENT LAYOUT

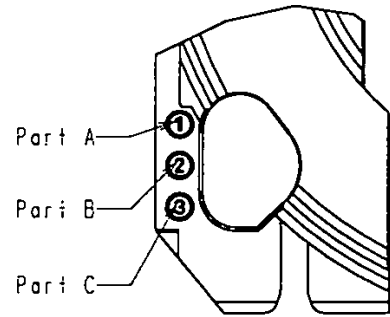
1800	B2	2810	A5	3806	C4	3819	A4	3832	C4	3843	A2	3857	A5	4804	A2	4816	D2	7803	A5
1801	C4	2811	A5	3807	C3	3820	A4	3833	B2	3845	D2	3858	B5	4805	C1	4817	A6	7804	B2
1802	C2	2812	A6	3808	B2	3821	B5	3834	C4	3847	B1	3859	C5	4806	A2	4818	C5	7806	C5
2800	D2	2813	B5	3809	C3	3823	B6	3835	C2	3848	B1	3860	C5	4807	C1	4819	A6	9801	C5
2801	D2	2814	B6	3810	C2	3824	A4	3836	C4	3850	A4	3861	B5	4808	C2	4820	B5	9802	B2
2802	A2	3800	B2	3811	A2	3826	B6	3837	C3	3851	A4	3862	A5	4809	C5	4821	C3	9804	A5
2803	B1	3801	C3	3812	A1	3827	B2	3838	C4	3852	A4	3863	B6	4810	B2	4822	C3		
2804	C2	3802	C4	3813	B2	3828	C2	3839	C3	3853	A4	4800	C2	4811	C1	6801	B1		
2805	C1	3803	C4	3815	A4	3829	B2	3840	C4	3854	B5	4801	C2	4812	B2	7800	D2		
2808	A6	3804	C3	3816	A5	3829	C2	3841	C3	3855	B5	4802	C2	4813	B6	7801	B4		
2809	C2	3805	C4	3818	A6	3831	C1	3842	A2	3856	A6	4803	D1	4814	A4	7802	A2		



Exploded view 5DTC mechanic - for orientation only

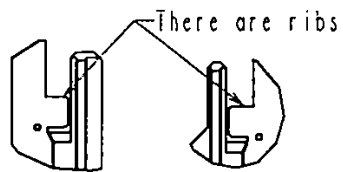
Sketch-1

TRAY(SUB)	3	83	84	85	86
TRAY No.	TRAY 1	TRAY 2; TRAY 3	TRAY 4	TRAY 5	
Part A	1	HOLE	1	HOLE	1
Part B	2	2	HOLE	HOLE	2
Part C	3	3	3	3	HOLE

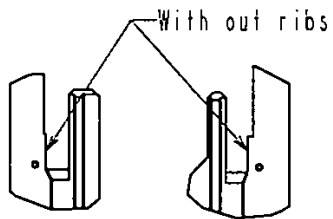


Sketch-2

TRAY(MAIN)

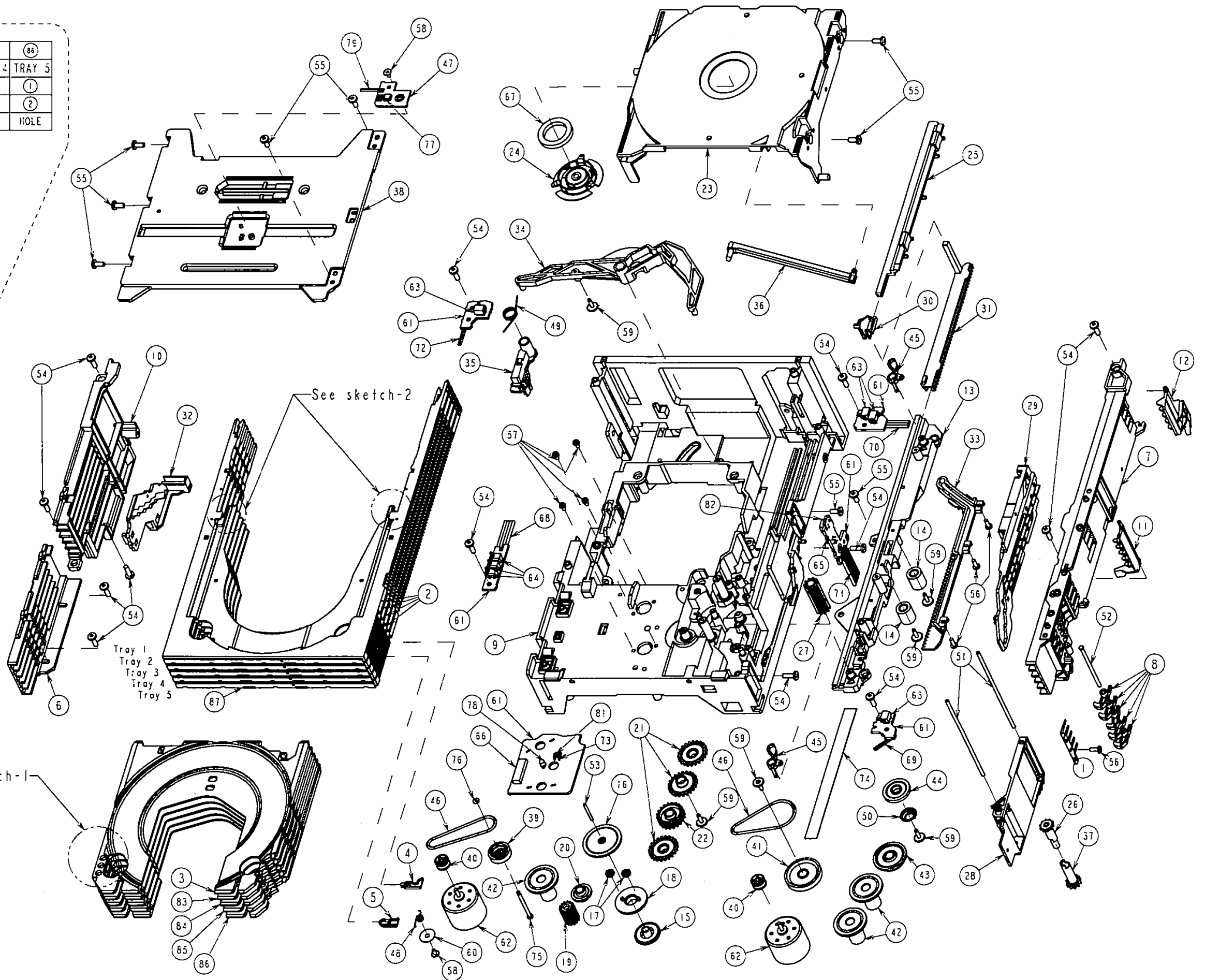


2 TRAY 1~4



87 TRAY 5

See sketch-1



ELECTRICAL PARTSLIST 5DTC MODULE Basic Version CD Board**MECHANICAL PARTS**

3103 308 54710		5DTC Module (mechanic w/o electronic)
0201	3103 309 05390	CD DRIVE DA12T3
0252	4822 529 10387	Rubber damper CD drive, front
0253	4822 529 10386	Rubber damper CD drive, rear

MISCELLANEOUS

1800	4822 267 11028	FFC-CONNECTOR, 16P, side entry
1823	2422 025 16371	FFC-CONNECTOR 8P, side entry
1824	4822 265 10979	FFC-CONNECTOR, 15P, side entry
8001	3103 308 93090	FFC CABLE 16Pin 80mm BD
8052	3103 308 93120	FFC CABLE 8Pin 80mm BD

CAPACITORS

2812	4822 124 11947	10μF	20%	16V
2813©	4822 126 13193	4,7nF	10%	63V
2814©	5322 126 11579	3,3nF	10%	63V
2815©	2020 552 94427	100pF	5%	50V
2816©	3198 017 42230	22nF	10%	50V

2817	4822 124 22726	4,7μF	20%	35V
2818©	3198 024 44730	47nF	5%	50V
2821©	2238 586 59812	100nF	10%	50V
2822©	4822 126 13344	1,5nF	5%	63V
2823	4822 124 42383	220μF	20%	4V

2824©	4822 126 14043	1μF	20%	16V
2825©	4822 126 13344	1,5nF	5%	63V
2826©	3198 017 34730	47nF	10%	16V
2827©	5322 126 11578	1nF	10%	63V
2828©	4822 126 11669	27pF	10%	50V

2829©	3198 017 34730	47nF	10%	16V
2830	4822 124 81286	47μF	20%	16V
2831	4822 124 81286	47μF	20%	16V
2832©	3198 017 31530	15nF	10%	50V
2833©	5322 126 11583	10nF	10%	63V

2834©	3198 017 31530	15nF	10%	50V
2835©	5322 126 11583	10nF	10%	63V
2836	4822 124 40433	47μF	20%	25V
2837©	3198 017 34730	47nF	10%	16V
2838©	3198 017 44740	470nF	20%	10V

2839©	2238 586 59812	100nF	10%	50V
2840©	4822 126 14549	33nF	10%	16V
2841©	2238 586 59812	100nF	10%	50V
2843©	2020 552 94427	100pF	5%	50V
2844©	5322 122 33861	120pF	5%	NP0

2845©	5322 122 33861	120pF	5%	NP0
2846	4822 124 40248	10μF	20%	63V
2847©	3198 017 41050	1μF	20%	10V
2848©	2020 552 94427	100pF	5%	50V
2849©	5322 122 33861	120pF	5%	NP0

2850©	5322 122 33861	120pF	5%	NP0
2851	4822 124 40248	10μF	20%	63V
2852©	4822 126 14549	33nF	10%	16V
2853©	5322 126 11583	10nF	10%	63V
2854	4822 124 12245	220μF	20%	16V

2855	4822 124 11912	220μF	20%	6,3V
2860©	4822 122 33753	150pF	5%	50V
2861©	4822 122 33753	150pF	5%	50V
2863©	4822 126 14508	180pF	5%	50V
2864©	4822 126 14508	180pF	5%	50V

2865©	4822 126 14508	180pF	5%	50V
2866©	4822 126 14508	180pF	5%	50V
2869©	3198 017 34730	47nF	10%	16V
2870©	4822 126 13883	220pF	5%	50V
2871©	4822 126 13883	220pF	5%	50V

CAPACITORS

2872©	4822 126 13883	220pF	5%	50V
2873©	4822 126 13883	220pF	5%	50V
2874©	4822 126 13883	220pF	5%	50V
2875©	4822 126 13883	220pF	5%	50V
2876©	3198 017 44740	470nF	20%	10V

2877	4822 124 40433	47μF	20%	25V
2878©	2238 586 59812	100nF	10%	50V
2879©	5322 126 11578	1nF	10%	63V
2880©	2222 867 15339	33pF	5%	50V
2881©	4822 126 14249	560pF	10%	50V

2882©	4822 126 14226	82pF		50V
2883©	3198 017 44740	470nF	20%	10V
2884©	3198 017 44740	470nF	20%	10V
2885	4822 124 40196	220μF	20%	16V
2886©	2238 586 59812	100nF	10%	50V

2887©	3198 017 34730	47nF	10%	16V
-------	----------------	------	-----	-----

RESISTORS

3801©	4822 051 30563	56kΩ	5%	0,06W
3802©	4822 051 30563	56kΩ	5%	0,06W
3803©	4822 117 12925	47kΩ	1%	0,06W
3804©	4822 117 12925	47kΩ	1%	0,06W
3805©	4822 117 12925	47kΩ	1%	0,06W

3806©	4822 117 12925	47kΩ	1%	0,06W
3807©	4822 051 30103	10kΩ	5%	0,06W
3808©	4822 051 30103	10kΩ	5%	0,06W
3809©	4822 051 30103	10kΩ	5%	0,06W
3810©	4822 051 30103	10kΩ	5%	0,06W

3811©	4822 051 30103	10kΩ	5%	0,06W
3812©	4822 051 30103	10kΩ	5%	0,06W
3813©	4822 051 30222	2,2kΩ	5%	0,06W
3814©	4822 051 30222	2,2kΩ	5%	0,06W
3815©	4822 051 30222	2,2kΩ	5%	0,06W

3816©	4822 051 30222	2,2kΩ	5%	0,06W
3817©	4822 051 30479	47Ω	5%	0,06W
3818©	4822 051 30479	47Ω	5%	0,06W
3819©	4822 051 30479	47Ω	5%	0,06W
3820	4822 052 10478	4,7Ω	5%	NFR25

3821©	4822 117 12917	1Ω	5%	0,06W
3822©	4822 051 30103	10kΩ	5%	0,06W
3823©	4822 051 30102	1kΩ	5%	0,06W
3824©	4822 051 30474	470kΩ	5%	0,06W
3825©	5322 117 13029	47kΩ	1%	0,06W

3826©	4822 117 12891	220kΩ	1%	0,06W
3827©	5322 117 13056	8,2kΩ	1%	0,06W
3828©	5322 117 13052	2,7kΩ	1%	0,06W
3829©	4822 051 30121	120Ω	5%	0,06W
3831©	4822 051 30471	470Ω	5%	0,06W

3832©	4822 051 30471	470Ω	5%	0,06W
3833©	4822 051 30121	120Ω	5%	0,06W
3834©	4822 051 30472	4,7kΩ	5%	0,06W
3836©	4822 117 13632	100kΩ	1%	0,06W
3837©	4822 051 30471	470Ω	5%	0,06W

3839©	4822 051 30471	470Ω	5%	0,06W
3840©	4822 051 30223	22kΩ	5%	0,06W
3841©	4822 051 30153	15kΩ	5%	0,06W
3842©	4822 051 30102	1kΩ	5%	0,06W
3843©	4822 051 30102	1kΩ	5%	0,06W

3844©	4822 051 30101	100Ω	5%	0,06W
3845©	4822 051 30471	470Ω	5%	0,06W
3846©	4822 051 30102	1kΩ	5%	0,06W
3847©	4822 117 12968	820Ω	5%	0,06W

ELECTRICAL PARTSLIST 5DTC MODULE Basic Version CD Board**RESISTORS**

3848	4822 051 30221	220Ω	5%	0,06W
3849	4822 051 30471	470Ω	5%	0,06W
3850	4822 117 12925	47kΩ	1%	0,06W
3851	4822 117 12968	820Ω	5%	0,06W
3852	4822 051 30221	220Ω	5%	0,06W
3853	4822 051 30103	10kΩ	5%	0,06W
3854	4822 117 12925	47kΩ	1%	0,06W
3855	4822 051 30393	39kΩ	5%	0,06W
3856	4822 051 30472	4,7kΩ	5%	0,06W
3857	4822 051 30008	CHIP JUMPER 0603		
3858	4822 117 12903	1,8kΩ	1%	0,06W
3859	4822 117 13632	100kΩ	1%	0,06W
3860	4822 051 30123	12kΩ	5%	0,06W
3861	4822 051 30153	15kΩ	5%	0,06W
3862	4822 051 30393	39kΩ	5%	0,06W
3864	4822 051 30333	33kΩ	5%	0,06W
3865	4822 051 30181	180Ω	5%	0,06W
3866	4822 117 13608	4,7Ω	5%	0,06W
3867	4822 051 30333	33kΩ	5%	0,06W
3868	4822 051 30183	18kΩ	5%	0,06W
3869	4822 051 30183	18kΩ	5%	0,06W
3870	4822 051 30681	680Ω	5%	0,06W
3871	4822 051 30181	180Ω	5%	0,06W
3872	4822 051 30272	2,7kΩ	5%	0,06W
3873	4822 051 30333	33kΩ	5%	0,06W
3874	4822 051 30333	33kΩ	5%	0,06W
3875	4822 051 30183	18kΩ	5%	0,06W
3876	4822 051 30183	18kΩ	5%	0,06W
3877	4822 051 30681	680Ω	5%	0,06W
3878	4822 051 30471	470Ω	5%	0,06W
3879	4822 051 30223	22kΩ	5%	0,06W
3880	4822 051 30339	33Ω	5%	0,06W
3881	4822 051 30151	150Ω	5%	0,06W
3883	4822 051 30472	4,7kΩ	5%	0,06W
3884	4822 051 30472	4,7kΩ	5%	0,06W
3887	4822 051 30103	10kΩ	5%	0,06W
3889	4822 051 30471	470Ω	5%	0,06W
3890	4822 051 30471	470Ω	5%	0,06W
3891	4822 051 30102	1kΩ	5%	0,06W
3892	4822 051 30102	1kΩ	5%	0,06W
3893	4822 051 30471	470Ω	5%	0,06W
3896	4822 051 30101	100Ω	5%	0,06W
3897	4822 051 30333	33kΩ	5%	0,06W
3898	4822 051 30221	220Ω	5%	0,06W
3899	4822 051 30272	2,7kΩ	5%	0,06W
3900	4822 117 13632	100kΩ	1%	0,06W
3901	4822 051 30561	560Ω	5%	0,06W
3902	4822 117 11139	1,5kΩ	1%	0,1W
3903	4822 051 30332	3,3kΩ	5%	0,06W
3904	4822 051 30332	3,3kΩ	5%	0,06W
3905	4822 051 30681	680Ω	5%	0,06W
3906	4822 051 30471	470Ω	5%	0,06W
3907	4822 117 12968	820Ω	5%	0,06W
3908	4822 051 30222	2,2kΩ	5%	0,06W
3909	4822 117 13632	100kΩ	1%	0,06W
3910	4822 051 30471	470Ω	5%	0,06W
3912	4822 051 30221	220Ω	5%	0,06W
3916	4822 051 30471	470Ω	5%	0,06W
3917	4822 117 13608	4,7Ω	5%	0,06W
3918	4822 051 30103	10kΩ	5%	0,06W
3919	4822 051 30153	15kΩ	5%	0,06W
3920	4822 051 30101	100Ω	5%	0,06W

RESISTORS

3923	4822 051 30103	10kΩ	5%	0,06W
3925	4822 051 30101	100Ω	5%	0,06W
3926	4822 051 30101	100Ω	5%	0,06W
3927	4822 051 30101	100Ω	5%	0,06W
3928	4822 051 30101	100Ω	5%	0,06W
4807	4822 051 30008	CHIP JUMPER 0603		
4810	4822 051 30008	CHIP JUMPER 0603		
4811	4822 051 30008	CHIP JUMPER 0603		
4813	4822 051 30008	CHIP JUMPER 0603		
4815	4822 051 20008	CHIP JUMPER 0805		
4816	4822 051 30008	CHIP JUMPER 0603		
4820	4822 051 30008	CHIP JUMPER 0603		
4824	4822 051 30008	CHIP JUMPER 0603		
4835	4822 051 20008	CHIP JUMPER 0805		
4836	4822 051 20008	CHIP JUMPER 0805		
4837	4822 051 20008	CHIP JUMPER 0805		
4838	4822 051 20008	CHIP JUMPER 0805		
4840	4822 051 20008	CHIP JUMPER 0805		
4841	4822 051 20008	CHIP JUMPER 0805		
4843	4822 051 20008	CHIP JUMPER 0805		

COILS

1810	2422 540 98519	RESONATOR 8,467MHz
5001	2422 549 44607	FERRITE BEAD
5002	2422 549 44607	FERRITE BEAD

DIODES

6877	9322 129 34685	BZX284-C3V9
------	----------------	-------------

TRANSISTORS

7804	5322 130 42755	BC847C
7875	5322 130 42755	BC847C
7876	5322 130 42755	BC847C
7877	5322 130 42755	BC847C
7878	5322 130 42755	BC847C
7879	5322 130 60123	BC807-40

INTEGRATED CIRCUITS

7800	9352 684 20557	SAA7325H/T/M2B, Signal Processor
7801	4822 209 72554	MC7808CT 8V Regulator
7802	9322 181 79668	MM1469PH Motor Driver
7810	5322 209 82941	LM358D, Dual Opamp
7811	5322 209 82941	LM358D, Dual Opamp

ELECTRICAL PARTSLIST 5DTC MODULE Basic Version Control Board**MECHANICAL PARTS****3103 308 54710 5DTC Module** (mechanic w/o electronic)**MISCELLANEOUS**

1801	2422 025 17065	FFC-CONNECTOR 16P, top entry
1802	2422 025 17788	FFC-CONNECTOR 8P, top entry
8021	3103 308 93110	FFC-CABLE 16Pin 60mm AD

CAPACITORS

2800©	4822 126 13879	220nF	20%	16V
2801©	2238 586 59812	100nF	10%	50V
2802©	2238 586 59812	100nF	10%	50V
2803©	2238 586 59812	100nF	10%	50V
2808	4822 124 40433	47µF	20%	25V

2810©	3198 017 34730	47nF	10%	16V
2811©	2238 586 59812	100nF	10%	50V
2812©	2238 586 59812	100nF	10%	50V
2813©	2238 586 59812	100nF	10%	50V
2814©	2238 586 59812	100nF	10%	50V

RESISTORS

3800©	4822 051 30472	4,7kΩ	5%	0,06W
3801©	4822 051 30472	4,7kΩ	5%	0,06W
3802©	4822 051 30472	4,7kΩ	5%	0,06W
3803©	4822 051 30472	4,7kΩ	5%	0,06W
3804©	4822 051 30472	4,7kΩ	5%	0,06W

3805©	4822 051 30472	4,7kΩ	5%	0,06W
3806©	4822 051 30472	4,7kΩ	5%	0,06W
3807©	4822 051 30472	4,7kΩ	5%	0,06W
3808©	4822 051 30472	4,7kΩ	5%	0,06W
3809©	4822 051 30472	4,7kΩ	5%	0,06W

3810©	4822 051 30103	10kΩ	5%	0,06W
3811©	4822 051 30154	150kΩ	5%	0,06W
3815©	5322 117 13057	820Ω	1%	0,06W
3816©	4822 051 30479	47Ω	5%	0,06W
3818©	4822 051 30479	47Ω	5%	0,06W

3819©	5322 117 13057	820Ω	1%	0,06W
3820©	5322 117 13057	820Ω	1%	0,06W
3821©	4822 051 30479	47Ω	5%	0,06W
3823©	4822 051 30479	47Ω	5%	0,06W
3824©	5322 117 13057	820Ω	1%	0,06W

3826▲	4822 117 12148	1,5Ω	5%	0,33W
3827©	4822 051 30101	100Ω	5%	0,06W
3828©	4822 051 30101	100Ω	5%	0,06W
3829©	4822 051 30101	100Ω	5%	0,06W
3830©	4822 051 30103	10kΩ	5%	0,06W

3831©	4822 051 30103	10kΩ	5%	0,06W
3832©	4822 051 30272	2,7kΩ	5%	0,06W
3833©	4822 051 30272	2,7kΩ	5%	0,06W
3834©	4822 051 30272	2,7kΩ	5%	0,06W
3835©	4822 051 30272	2,7kΩ	5%	0,06W

3836©	4822 051 30272	2,7kΩ	5%	0,06W
3837©	4822 051 30272	2,7kΩ	5%	0,06W
3838©	4822 051 30103	10kΩ	5%	0,06W
3839©	4822 051 30272	2,7kΩ	5%	0,06W
3840©	4822 051 30272	2,7kΩ	5%	0,06W

3841©	4822 051 30103	10kΩ	5%	0,06W
3842©	4822 051 30103	10kΩ	5%	0,06W
3845©	4822 051 20159	15Ω	5%	0,1W
3850©	4822 117 12706	10kΩ	1%	0,06W
3851©	4822 117 12706	10kΩ	1%	0,06W

3852©	4822 117 12706	10kΩ	1%	0,06W
3853©	4822 117 12706	10kΩ	1%	0,06W
3854©	4822 117 12706	10kΩ	1%	0,06W

RESISTORS

3855©	4822 117 12706	10kΩ	1%	0,06W
3856©	4822 117 12706	10kΩ	1%	0,06W
3857©	4822 117 12706	10kΩ	1%	0,06W
3858©	4822 051 30102	1kΩ	5%	0,06W
3859©	4822 051 30103	10kΩ	5%	0,06W

3860©	5322 117 13017	100Ω	1%	0,06W
3861©	2322 704 62002	2kΩ	1%	0,06W
3862©	4822 117 12706	10kΩ	1%	0,06W
3863	4822 053 10228	2,2Ω	5%	1W
4800©	4822 051 30008	CHIP JUMPER 0603		

4802©	4822 051 30008	CHIP JUMPER 0603		
4803©	4822 051 30008	CHIP JUMPER 0603		
4804©	4822 051 30008	CHIP JUMPER 0603		
4805©	4822 051 20008	CHIP JUMPER 0805		
4806©	4822 051 30008	CHIP JUMPER 0603		

4807©	4822 051 30008	CHIP JUMPER 0603		
4808©	4822 051 30008	CHIP JUMPER 0603		
4809©	4822 051 20008	CHIP JUMPER 0805		
4810©	4822 051 20008	CHIP JUMPER 0805		
4811©	4822 051 30008	CHIP JUMPER 0603		

4812©	4822 051 30008	CHIP JUMPER 0603		
4813©	4822 051 30008	CHIP JUMPER 0603		
4814©	4822 051 30008	CHIP JUMPER 0603		
4816©	4822 051 20008	CHIP JUMPER 0805		
4817©	4822 051 20008	CHIP JUMPER 0805		

4818©	4822 051 20008	CHIP JUMPER 0805		
4819©	4822 051 30008	CHIP JUMPER 0603		
4820©	4822 051 30008	CHIP JUMPER 0603		
4821©	4822 051 20008	CHIP JUMPER 0805		
4822©	4822 051 20008	CHIP JUMPER 0805		

COILS

1800	4822 242 72066	CERAMIC FILTER 8,0MHz
------	----------------	-----------------------

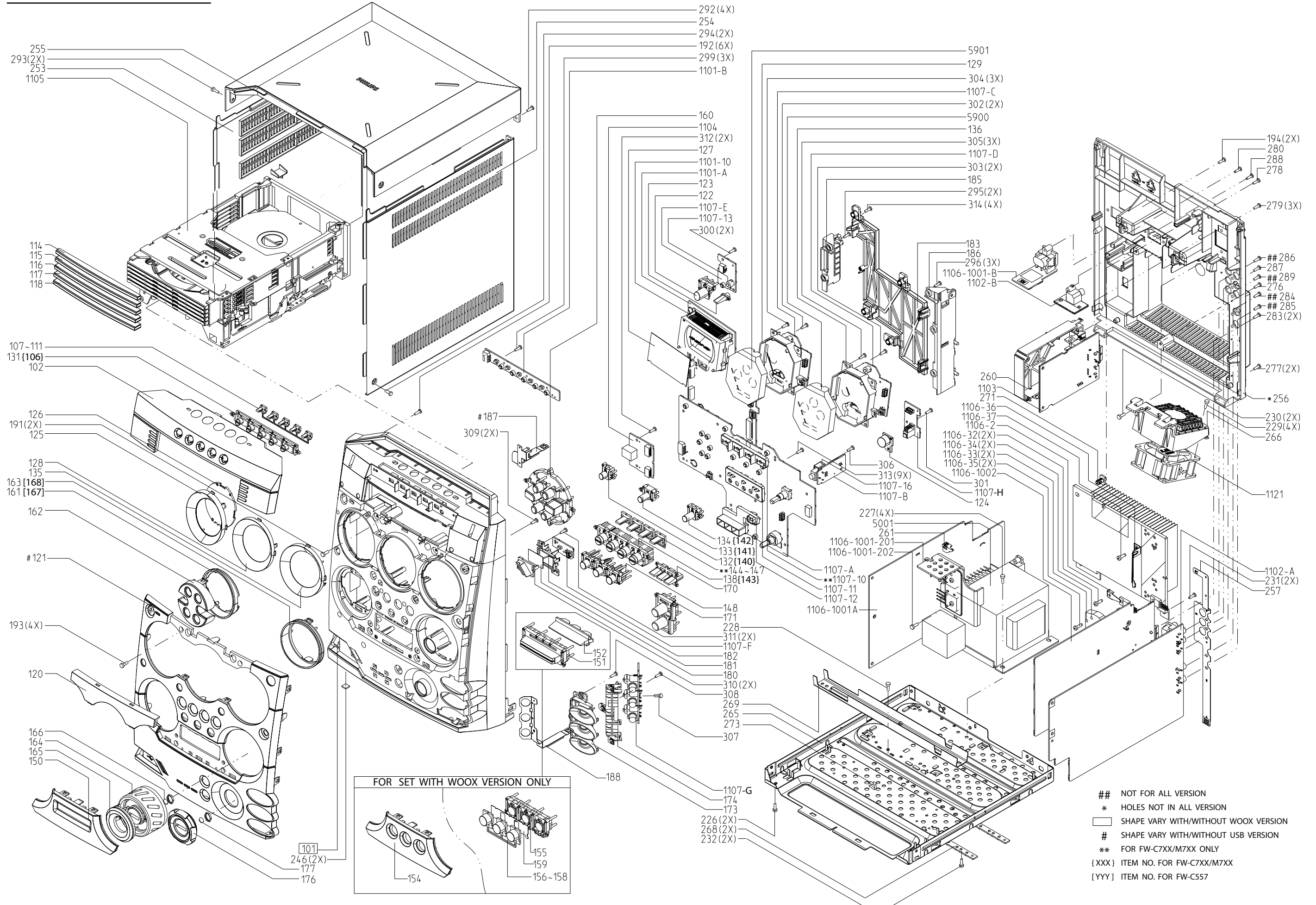
TRANSISTORS

7806©	3198 010 42320	BC857BW
-------	----------------	---------

INTEGRATED CIRCUITS

7800	4822 209 72042	MC78L05ACP, STABILIZER
7801©	3103 307 01640	TMP87P809M Microcontroller
7803	4822 209 62059	TCA0372DP1, 2-FOLD OP-AMP.
7805	4822 209 62059	TCA0372DP1, 2-FOLD OP-AMP.

SET MECHANICAL EXPLODED VIEW



255
293(2X)
253
1105

114
115
116
117
118

107-111
131(106)
102

126
191(2X)
125

128
135
163 [168]
161 [167]

162

#121

193(4X)

120

166
164
165
150

101
246(2X)
177
176

292(4X)
254
294(2X)
192(6X)
299(3X)
1101-B

160
1104
312(2X)
127
1101-10
1101-A
123
122
1107-E
1107-13
300(2X)

183
186
296(3X)
1106-1001-B
1102-B

306
313(9X)
1107-16
1107-B

134 {142}
133 {141}
132 {140}
*144-147
138 {143}
170

148
171
228
311(2X)
1107-F
182
181
180
310(2X)
308
269
265
273
307

152
151

1107-G
174
173

226(2X)
268(2X)
232(2X)

1107-A
*1107-10
1107-11
1107-12
1106-1001A

227(4X)
5001
261
1106-1001-201
1106-1001-202

1106-36
1106-37
1106-2
1106-32(2X)
1106-34(2X)
1106-33(2X)
1106-35(2X)
1106-1002
301
1107-H
124

5901
129
304(3X)
1107-C
302(2X)
5900
136
305(3X)
1107-D
303(2X)
185
295(2X)
314(4X)

260
1103
271
1106-36
1106-37
1106-2
1106-32(2X)
1106-34(2X)
1106-33(2X)
1106-35(2X)
1106-1002
301
1107-H
124

227(4X)
5001
261
1106-1001-201
1106-1001-202

1106-36
1106-37
1106-2
1106-32(2X)
1106-34(2X)
1106-33(2X)
1106-35(2X)
1106-1002
301
1107-H
124

1106-1001-201
1106-1001-202

1107-A
*1107-10
1107-11
1107-12
1106-1001A

227(4X)
5001
261
1106-1001-201
1106-1001-202

1106-36
1106-37
1106-2
1106-32(2X)
1106-34(2X)
1106-33(2X)
1106-35(2X)
1106-1002
301
1107-H
124

1106-1001-201
1106-1001-202

1107-A
*1107-10
1107-11
1107-12
1106-1001A

1106-36
1106-37
1106-2
1106-32(2X)
1106-34(2X)
1106-33(2X)
1106-35(2X)
1106-1002
301
1107-H
124

194(2X)
280
288
278

279(3X)

##286
287
##289
276
##284
##285
283(2X)

277(2X)

*256
230(2X)
229(4X)
266

1121

1102-A
231(2X)
257

- ## NOT FOR ALL VERSION
- * HOLES NOT IN ALL VERSION
- SHAPE VARY WITH/WITHOUT WOXX VERSION
- # SHAPE VARY WITH/WITHOUT USB VERSION
- ** FOR FW-C7XX/M7XX ONLY
- {XXX} ITEM NO. FOR FW-C7XX/M7XX
- [YYY] ITEM NO. FOR FW-C557

MECHANICAL & ACCESSORIES PARTS LIST - MAIN UNIT**SCREW LISTS - MAIN UNIT**

0101	3139 118 19631	Cabinet Front	0255	3139 114 78221	Cover Top V2	191	D3 x 12
0102	3139 257 51151	Panel Front 5DTC	0256	3139 114 78351	Panel Rear V2	192	D2 x 6
0114	3139 257 51161	Cover Tray 5DTC 1	0266	3139 114 78241	Bracket Fan	193	D3 x 12
0115	3139 257 51171	Cover Tray 5DTC 2	0271	3139 114 71010	Stopper Heatsink	194	D3 x 12
0116	3139 257 51181	Cover Tray 5DTC 3	0345	3139 119 02191	L/R Loudspeaker Box	226	M3 x 6
0117	3139 257 51191	Cover Tray 5DTC 4	0351	4822 320 11094	FM Antenna Wire	227	M3 x 10
0118	3139 257 51201	Cover Tray 5DTC 5	0352	4822 303 50082	Antenna AM Loop	228	M3 x 6
0120	3139 257 51451	Panel Front Display	0353	3139 228 61781	Remote Control	229	D3 x 12
0121	3139 257 50841	Panel Front Control Non-USB	0356	2422 070 98246 Δ	Mains Cord	230	M3 x 12
0122	3139 118 19751	Button ECO/Standby Power	0358	4822 263 21206	Cable Cinch/1M7/Cinch	231	M3 x 6
0123	3139 114 77901	Lightguide Power ECO	0370	3139 115 22251	Instruction For Use	232	M3 x 6
0124	3139 114 77911	Lightguide IR	1121	2822 031 01494	Fan 12VDC 0,8W 3100RPM	276	M3 x 6
0125	3139 118 19761	Cover Ring FTD	5001	3139 118 32560 Δ	Mains Transformer	277	M3 x 10
0126	3139 118 19791	Window Display FTD	5900	3139 110 53451	Meter VU	278	D3 x 16
0128	3139 118 19771	Cover Ring VU Meter 1 (Left)	5901	3139 110 53451	Meter VU	279	D3 x 12
0129	3139 114 78261	Bracket VU Meter 1 (Left)	8202	3139 110 35350	FFC Foil 11P/220/11P AD	280	D3 x 12
0131	3139 114 79061	Button Set 5DTC Play	8203	3139 110 35010	FFC Foil 07P/340/07P AD	283	D3 x 12
0132	3139 114 77921	Button DIM	8405	3139 110 35280	FFC Foil 10P/120/10P AD	287	D3 x 12
0133	3139 114 77941	Button PROG	8407	3139 110 34920	FFC Foil 08P/280/08P BD	288	D3 x 12
0134	3139 114 77931	Button CLOCK	8408	3139 111 02491	FFC Foil 19P/280/19P AD	292	M3 x 12
0135	3139 118 19781	Cover Ring VU Meter 2 (Right)	8410	3139 111 02501	FFC Foil 05P/180/05PAD Fold	293	M3 x 12
0136	3139 114 78271	Bracket VU Meter 2 (Right)	8413	3139 110 35400	FFC Foil 09P/340/09P AD	294	M3 x 6
0138	3139 114 79051	Button Set Source Select	8417	3139 110 36150	FFC Foil 15P/280/15P AD	295	D3 x 12
0148	3139 118 19831	Button Set DBB/DSC/VAC	8501	3139 110 33940	FFC Foil 04P/180/04P BD	296	D3 x 12
0150	3139 257 51211	Cover Orn MAX	8601	3139 111 02481	FFC Foil 08P/180/08P AD	299	D2 x 8
0151	3139 114 78071	Button MAX				300	D3 x 12
0160	3139 118 19841	Button Set Func Control				301	D3 x 12
0162	3139 118 19851	Cap Func Control				302	D3 x 10
0164	3139 114 78031	Knob Volume Rotary				303	D3 x 10
0165	3139 118 19881	Cap Knob Volume				304	D3 x 12
0166	4822 492 51374	Ring				305	D3 x 12
0167	3139 114 79501	Cover Ring Func Control				306	D3 x 12
0168	3139 114 79511	Cover Ring Volume				307	D3 x 12
0170	3139 114 78161	Lightguide Game Sound				308	D3 x 12
0171	3139 118 19921	Button MIX-IT/Game Mode				309	D2 x 8
0173	3139 114 78201	Cover Game Port				310	D3 x 10
0174	3139 114 78191	Bracket Game Port				313	D3 x 12
0176	3139 118 19931	Knob Game Sound Control				314	D3 x 12
0177	4822 492 51374	Ring					
0183	3139 114 78301	Bracket PCB Front Display					
0185	3139 114 72750	Bracket CDC Left					
0186	3139 114 72760	Bracket CDC Right					
0246	3139 113 27140	Foot Rubber 4mm					
0253	3139 114 79071	Panel Left V2					
0254	3139 114 79091	Panel Right V2					

L/R LOUDSPEAKER BOX BREAKDOWN

Note : Only the parts mentioned in this list are normal service spare parts.

REVISION LIST

Version 1.0 (3139 785 30340)

- * Initial Release (FW-C557/37)

Version 1.1 (3139 785 30341)

- * Page 5-9 to 5-10 : Front Control Board - Electrical parts list adapted
- * Page 6-5 : Front Display Board - Electrical parts list adapted
- * Page 8-9 : AF11 Board - Electrical parts list adapted
- * Page 11-2 : Mechanical & Accessories parts list adapted
- * Page 11-2 : Additional of L/R Loudspeaker Box Breakdown